

# INSTALLATION INSTRUCTIONS

for Crane  
2 - piece Toilets

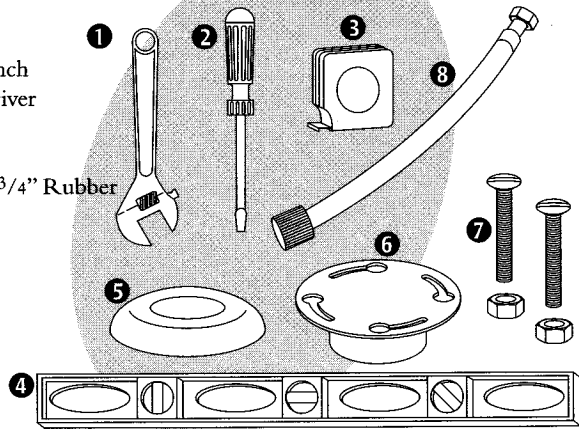
## CRANE

Read all instructions  
carefully before starting the installation.

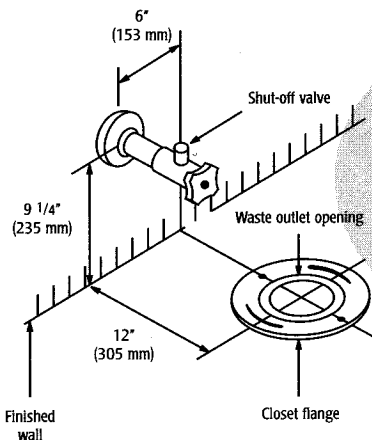
Use of chemical solutions or cleaners may cause deterioration  
on tank and components and may void warranty

### 1 RECOMMENDED TOOLS & MATERIALS (NOT SUPPLIED)

- 1 Adjustable Wrench
- 2 Slotted Screwdriver
- 3 Tape Measure
- 4 Level
- 5 Sealing Ring - 3/4" Rubber  
or 11/16" wax
- 6 Floor Flange
- 7 Flange Bolts
- 8 Flexible Supply  
Tube



### 2 INSTALL NEW SUPPLY SHUT-OFF VALVE



A. Install toilet supply shut-off valve so it is 9 1/4" (235 mm) above the finished floor and 6" (153 mm) to the left of the centre of closet flange. Make sure the closet flange is inserted into the waste pipe on the floor ensuring that both arrow shapes located on the top of the flange are in the direction perpendicular to the finished wall.  
*Note: The shut-off valve and the closet flange are not provided.*

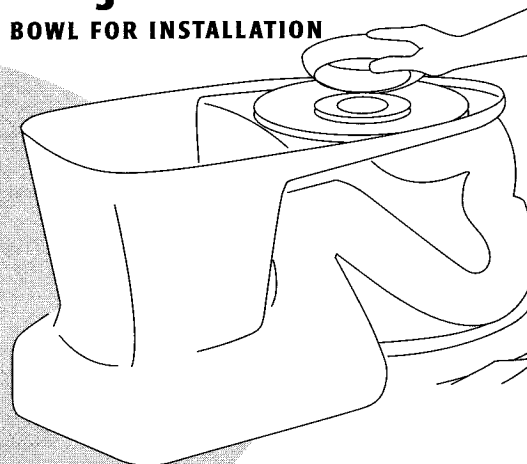
B. The center of the closet flange should be 12" (305 mm) away from the finished wall. Install flange bolts into slots and slide them into the flange (threaded part upwards, see #4)

### 3 PREPARE BOWL FOR INSTALLATION

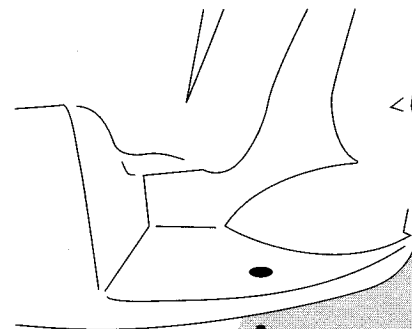
A. Place padding (or rag) on the bathroom floor and set the bowl on it. Bottom up.

B. Place the sealing ring around the bowl waste opening. Ensure flat face of ring faces floor when bowl is installed.

*Note: Wax gasket 11/16" (18 mm) thick (not provided) is recommended.*



### 4 INSTALL TOILET BOWL



A. Carefully set down, aligning bowl outlet with opening of flange. Make sure that the ends of the flange bolts pass through the bolt-holes in the bowl's base.

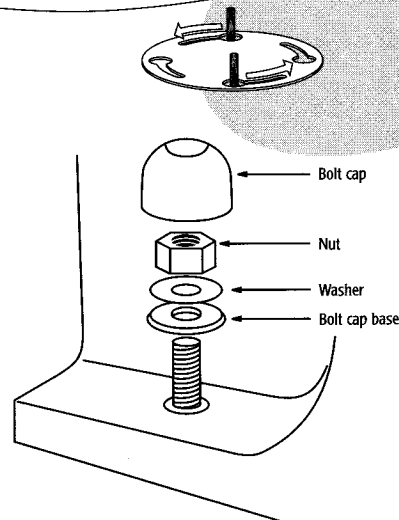
B. Press down on each side at center of the bowl. Use your full weight and a slight twisting motion to imbed the bowl evenly in the sealing ring. Place a level across the top of the bowl to make sure it is level.

C. Place the bolt cap base, washer and nut on each flange bolt. Fully tighten down the nut on each bolt by hand, then tighten 1/2 turn with a wrench.  
*Caution: Overtightening may break vitreous china.*

D. If the bolts extend more than 3/8" (10 mm) from the top of the nut, cut off the excess bolt length.

E. Press the bolt caps on the bolt cap base.

F. Fill the bowl with water to prevent sewer gas from escaping into the bowl.



## CRANE

PLUMBING DIVISION - Stratford, Ontario N5A 6T3

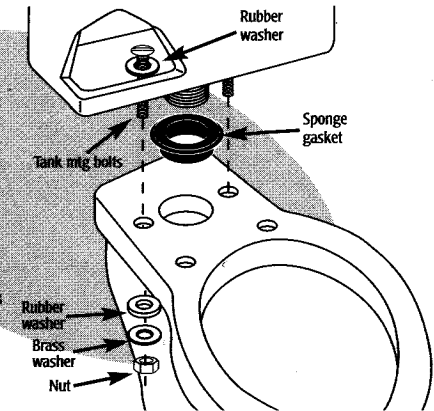
CUSTOMER SERVICE

Tel.: 1 800 463-2726 or (514) 735-5050  
Fax: 1 800 845-7158 or (514) 735-3599

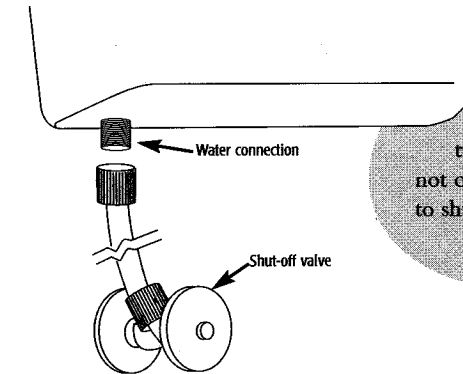
### 5 INSTALL TOILET TANK

Place large sponge gasket over large threaded outlet on bottom of tank and lower tank onto bowl ensuring gasket seats evenly.

Thread a small rubber washer on each tank bolt and insert bolts through tank and matching bowl holes. From the underside of the bowl, install second rubber washer, brass washer and hexagonal nut on each tank bolt. Tighten nuts alternating from side to side until tank is firmly mounted to bowl. **DO NOT OVERTIGHTEN.**



### 6 CONNECT SUPPLY TUBE



Connect supply tube (not supplied) to the water connection on tank (hand-tighten only). Connect supply tube to water shut-off valve. Do not over-tighten to prevent damage to shut-off valve.

### 7 ADJUST THE WATER LEVEL (VERY IMPORTANT)

Install refill tube into overflow tube (if necessary). Connect flapper strap to lever handle (if necessary) leaving 3/8" slack on the strap when flapper is in closed position. Slowly open shut-off valve and allow tank to fill. Check for watertight connections. For proper flushing of the bowl, the water must fill to the waterline mark indicated on the inside surface of the tank. The float rod and float ball control the water level. If the water level is below the waterline mark, turn the float rod adjusting screw counter-clockwise. If the water level is above the waterline mark, turn the screw clockwise. This unit is designed to function between 20 and 80 psi. If there is less than 20 psi the water level may not fill to waterline mark.

