

NE 4433-C

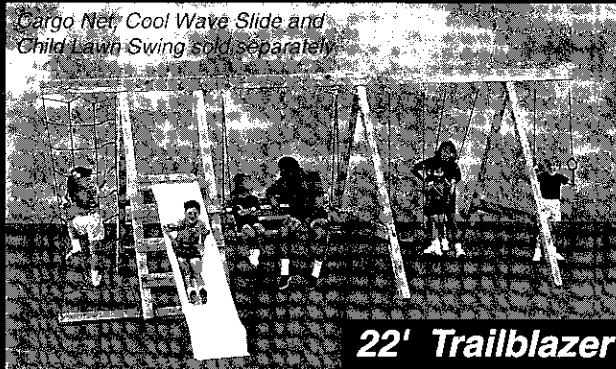
Swing•N•Slide®

Pioneer™

16' Trading Post

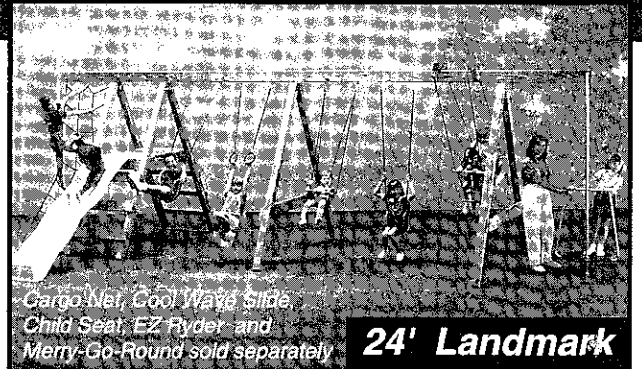


Cool Wave Slide sold separately



Cargo Net, Cool Wave Slide and Child Lawn Swing sold separately

22' Trailblazer



Cargo Net, Cool Wave Slide, Child Seat, EZ Ryder and Merry-Go-Round sold separately

24' Landmark



SEAL OF APPROVAL

A complete guide for the assembly of the Pioneer Trading Post, Trailblazer or Landmark

IMPORTANT!

This product is intended for single family residential use only and not intended for use in any public setting. Placement in any public setting constitutes a misuse of this product.

REQUIRED SAFETY INSTALLATION INSTRUCTIONS

ANCHORING INFORMATION

According to ASTM requirements, all rope ends must be anchored to the ground. If soil conditions permit stakes to be pulled out easily, cementing into ground is necessary. In addition, Swing•N•Slide recommends that all units be anchored to the ground. For quick and easy staking, purchase Swing•N•Slide NE 4521 Anchor-It Ground Anchors.

- **When anchoring the unit to the ground using wooden stakes**, use 2" x 4" x 18" (45mm x 95mm x 457mm) pressure-treated stakes. Pound stakes into ground at least 12" (305mm) at all inside corners of the posts (including A-frame legs and climbing unit posts). Attach with four (4) 16D galvanized nails per stake into each 4" x 4" (95mm x 95mm) post.
- **When anchoring a climbing rope with wooden stakes**, anchor the rope end. Use a 2" x 4" x 18" (45mm x 95mm x 457mm) pressure-treated stake. Drill a 1-1/4" (32mm) or 1-1/8" (29mm) hole through the stake approximately 1-1/2" (38mm) from the top of the stake. Cement stake into ground, leaving only the hole exposed. Insert rope end through hole in stake and tie a knot in the rope to secure.
- **Once the unit is completely assembled and before children are allowed to play on it, proper shock-absorbing surfacing material must be installed.** This may be accomplished by using loose-fill materials at a sufficient depth. The Consumer Product Safety Commission "Handbook for Public Playground Safety" lists the following materials and required depths that are sufficient for home/residential application. For fall height protection up to 9 ft. (2.742m) [recommended for Swing•N•Slide kits]:

LOOSE FILL MATERIAL	REQUIRED (UNCOMPRESSED) DEPTH 1 in. (mm)
Wood Mulch	9 " (229mm)
Double Shredded Bark Mulch	9 " (229mm)
Uniform Wood Chips	12 " (305mm)
Fine Sand	12 " (305mm)
Fine Gravel	12 " (305mm)

¹ These depths were derived from the CPSC Handbook. Swing•N•Slide has not done independent tests to determine these required depths.

When properly installed, shock absorbing material will completely cover the horizontal baseboards on climbing units. This protective surfacing must extend a **minimum** of 6 ft. (1.828m) in all directions from the perimeter of the equipment or from the outermost edges of any component. For example, a slide extending beyond the platform must have protective surfacing at least 6 ft. (1.828m) out from both sides as well as the end. For swings, the protective surface must extend **at least 14 ft.** out from **both** the back and front of the swing when the swing is in its rest position.

Read ALL instructions completely before beginning assembly

CAUTION

When building this kit, at least two people are required for lifting and holding beams, frames or other heavy assemblies in position before bolting or nailing. Special precautions must be taken when handling treated wood. Contact your local supplier for specific information.

SAFETY - Wear safety glasses to protect your eyes from flying wood chips when cutting or drilling. Use a dust mask. Blunt nail points to prevent wood from splitting. To prevent splinters, sand the corners, edges, and all the points of the wood by wrapping a piece of 80 grit sandpaper around a block of wood and sanding.

Installation Safety - Have You:

- Consulted the assembly instructions supplied with your particular model?
- Built the unit per the plans supplied without altering the design?
- Made sure all hardware is tightened securely? (Supplied bolt covers must also be fastened securely.)
- Using a hacksaw, cut off all protruding threaded ends of bolts and other fasteners and remove any sharp edges with a metal file as needed?
- Placed the equipment on level ground, not less than six feet (1.8 meters) from any structure or obstruction such as a fence, garage, house, overhanging branches, laundry lines, or electrical wires?
- Made sure home playground equipment is not installed over concrete, asphalt, packed earth or any other hard surface? (A fall onto a hard surface can result in serious injury to the equipment user.)
- Consulted in assembly instructions of your particular model for minimum use zones?
- Followed all anchoring and shock absorbing surfacing requirements as they apply?
- Made sure not to allow children to use equipment until it is properly installed?
- Installed only Swing•N•Slide products and accessories approved for use with this product?
- Saved this plan for future reference?

Safety First

PARENTS : Before building a backyard play area please take the time to read all instructions completely and caution your children accordingly.

The Sun: Slides should **not** have a southern exposure unless they are shaded from mid-day and afternoon sun. Unshaded slides facing south can get hot and cause discomfort to bare skin. Northern exposures or shaded areas are definitely best.

Operating Safety - Have You:

- Determined that on-site adult supervision is provided for children of all ages?
- Taught children the following before allowing them to use the equipment?
 - Not to walk close to, in front of, behind or between moving items.
 - Not to twist swing or any other accessory chains or ropes. Twisting will reduce the strength of chain or rope.
 - Not to swing empty seats or other accessories.
 - Be sure to sit in the center of the swing seat and other accessories with full weight on the seat.
 - Not to use equipment in a manner other than intended.
 - Not to get off equipment while it is in motion.
 - Not to climb on the equipment when it is wet.
- Determined that only one child per planned occupant seat should be allowed on this set at one time, with a maximum weight of 75 pounds for each occupant?
- Determined children must be dressed appropriately for play? Avoid clothing with draw strings and loose fitting clothes which could become entangled or snagged on equipment.
- Determined children must not climb or hang on the frame of swing sets? Serious injuries can result from falls.
- Read and understood the following warning regarding the use of two and four passenger lawn swings?

Warning: Lawn Swings are designed for use by children over two years of age. Use by children under the age of two can result in entrapment between the seats and back areas. **Never** place children in a rearward facing position or with legs between the seat and backrest because the child's body may pass through the opening causing entrapment of the child's head.

Questions???...Call our Customer Service Department at 1-800-888-1232

Safety Instructions (Cont.)

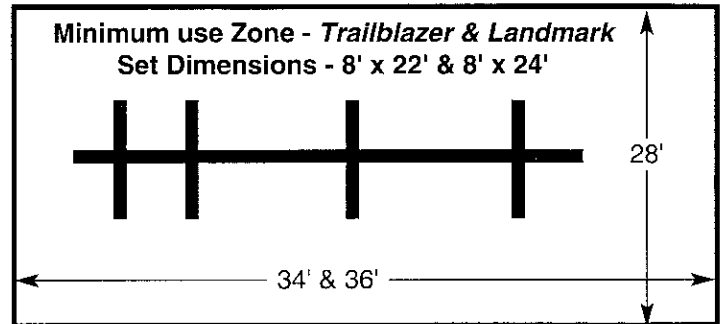
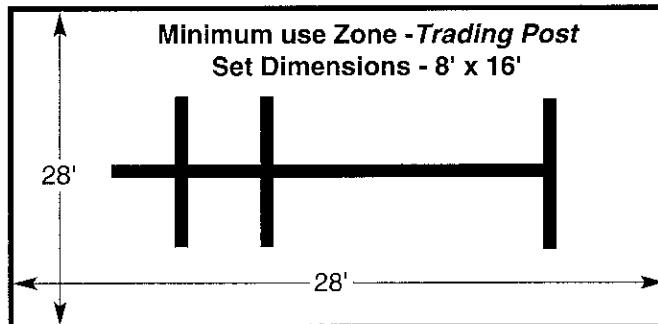
Safety Maintenance - Have You Determined to:

- Check all nuts and bolts twice monthly during the usage season for tightness and tighten as required? (It is particularly important that this procedure be followed at the beginning of each season.)
- To prevent the deterioration of materials, remove plastic swing seats and other plastic accessories and take indoors? (Do not use when the temperature drops below 0° F.)
- Oil all metallic moving parts monthly during usage period?
- Check all hardware and equipment for sharp edges twice monthly during usage season? (Replace when necessary. It is especially important to do this at the beginning of each new season.)
- Check swing seats and chains monthly during usage season for evidence of deterioration? (Replacement should be made in accordance with manufacturer's instructions.)
- Use a water seal on your gym set to protect the wood and prevent cracking and warping?

Disposal Instructions

1. When the activity center is to be taken out of service, remove all play components and dispose of safely following local disposal requirements.

Minimum Use Zone



Lumber Required

16' Trading Post		22' Trailblazer		24' Landmark	
Qty.	Description	Qty.	Description	Qty.	Description
2	2" x 4" x 8'	2	2" x 4" x 8'	2	2" x 4" x 8'
1	2" x 4" x 10'	1	2" x 4" x 10'	1	2" x 4" x 10'
1	2" x 6" x 8'	4	2" x 6" x 8'	2	2" x 6" x 8'
2	2" x 6" x 10'	2	2" x 6" x 10'	4	2" x 6" x 10'
2	2" x 6" x 12'	2	2" x 6" x 12'	2	2" x 6" x 12'
6	4" x 4" x 8'	2	2" x 6" x 14'	2	2" x 6" x 14'
1	4" x 6" x 16' or	8	4" x 4" x 8'	8	4" x 4" x 8'
	(2) 2" x 6" x 16'	3#	*10D galv. nails (3")	3#	*10D galv. nails (3")
3#	*10D galv. nails (3")	2#	*16D galv. nails (3-1/2")	2#	*16D galv. nails (3-1/2")
2#	*16D galv. nails (3-1/2")				

**Galvanized self-drilling screws may be used in place of galvanized nails*

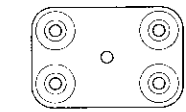
Tools Required

Adjustable Wrench, Pliers, Circular Saw, 5/16" Drill Bit (8" min.), 1-1/8" Spade Bit, Electric Drill, Tape Measure, Hack Saw, Hammer, Metal File and Safety Glasses

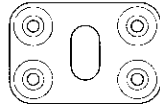
Kit Includes



(1) Plan

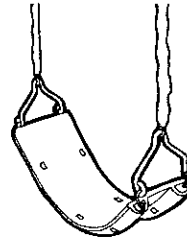


(12) Beam Covers

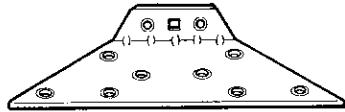
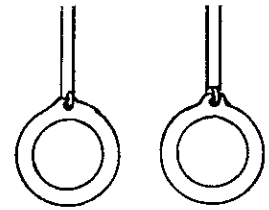


(6) Bottom Beam Clamps (Slotted)

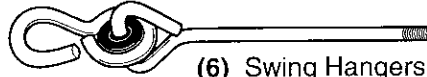
(2) Belted Swing Seats



(1) Pair of Iron Man Rings

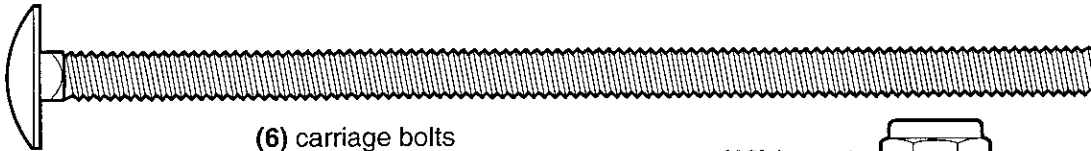


(6) EZ Frame Brackets



(6) Swing Hangers

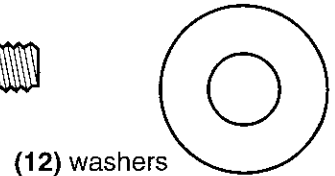
NOTE: Hardware below is shown actual size.



(6) carriage bolts



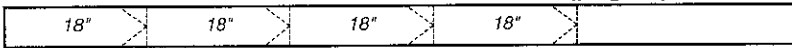
(12) loc nuts



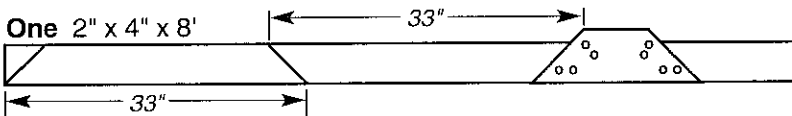
(12) washers

16' Trading Post Cutting Guide

One 2" x 4" x 8' See Installation Instructions (page 2) for staking information



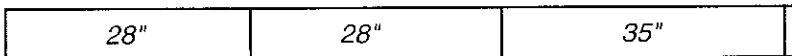
One 2" x 4" x 8'



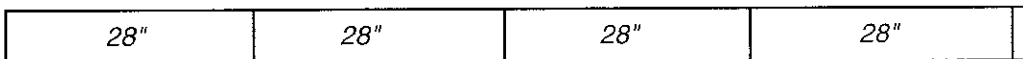
Use the EZ Frame Bracket as an angle guide



One 2" x 4" x 10'

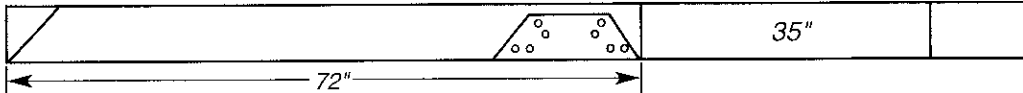


One 2" x 6" x 8'

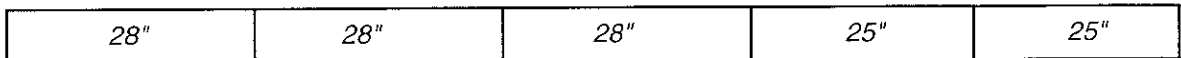


One 2" x 6" x 10'

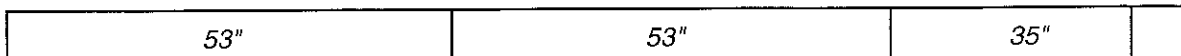
One 2" x 6" x 10'



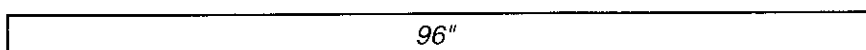
Use the EZ Frame Bracket as an angle guide



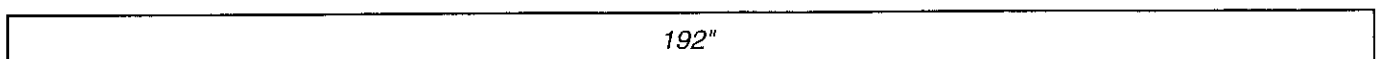
One 2" x 6" x 12'



One 2" x 6" x 12'



Six 4" x 4" x 8'



One 4" x 6" x 16' or Two 2" x 6" x 16'

IMPORTANT:
Measure and mark all lumber before cutting

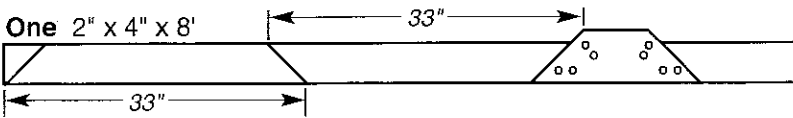
22' Trailblazer - Family Fun Center Cutting Guide

IMPORTANT:
Measure and
mark all lumber
before cutting

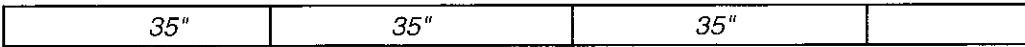
One 2" x 4" x 8' See Installation Instructions (page 2) for staking information



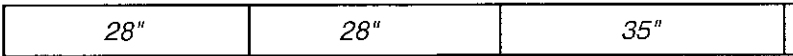
One 2" x 4" x 8'



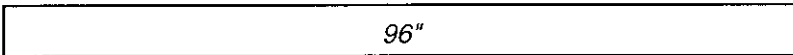
Use the EZ Frame Bracket
as an angle guide



One 2" x 4" x 10'

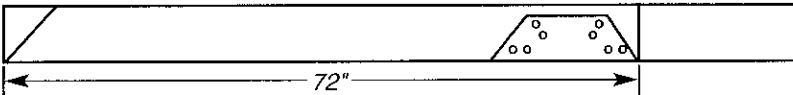


One 2" x 6" x 8'

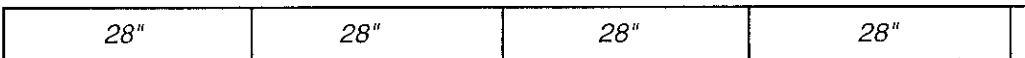


Two 2" x 6" x 8'

One 2" x 6" x 8'

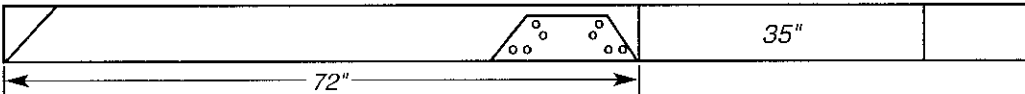


Use the EZ Frame Bracket
as an angle guide

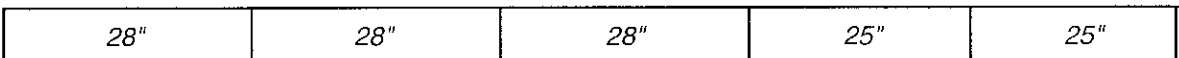


One 2" x 6" x 10'

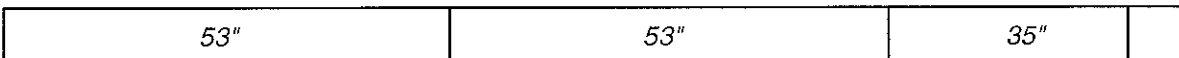
One 2" x 6" x 10'



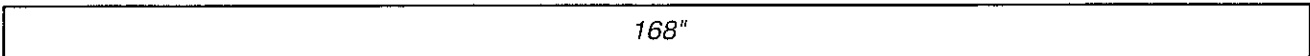
Use the EZ Frame Bracket
as an angle guide



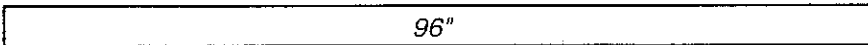
One 2" x 6" x 12'



One 2" x 6" x 12'



Two 2" x 6" x 14'



Eight 4" x 4" x 8'

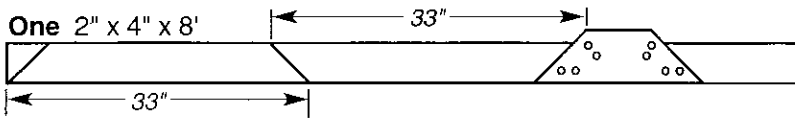
24' Landmark Cutting Guide

One 2" x 4" x 8' See Installation Instructions (page 2) for staking information



IMPORTANT:
Measure and mark all lumber before cutting

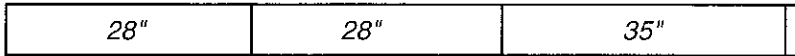
One 2" x 4" x 8'



Use the EZ Frame Bracket as an angle guide

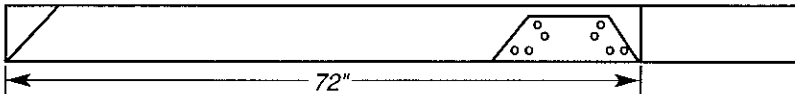


One 2" x 4" x 10'



One 2" x 6" x 8'

One 2" x 6" x 8'

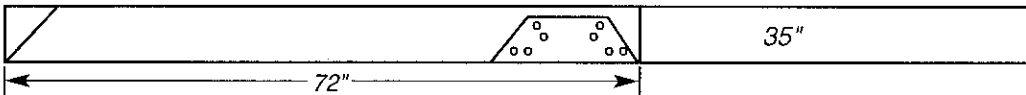


Use the EZ Frame Bracket as an angle guide

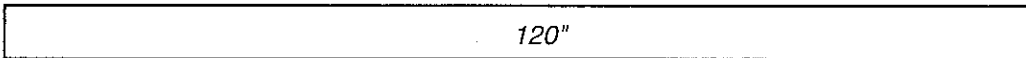


One 2" x 6" x 10'

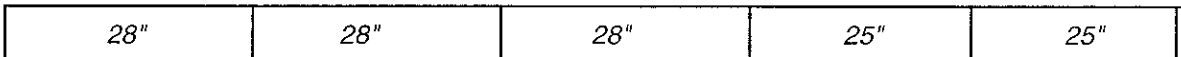
One 2" x 6" x 10'



Use the EZ Frame Bracket as an angle guide



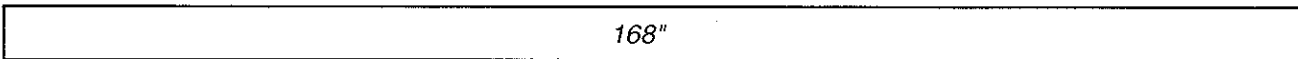
Two 2" x 6" x 10'



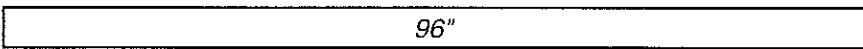
One 2" x 6" x 12'



One 2" x 6" x 12'



Two 2" x 6" x 14'



Eight 4" x 4" x 8'

Assembly Instructions

A. Deck Assembly

1. Measure 6" in from each end of two 2" x 6" x 53" members (*Fig. 1*).
2. Position lumber as indicated in *Fig. 1*. Make sure frame is square. Measure diagonally from corner to corner making sure measurement is the same.
3. Nail frame together using three 16D galvanized nails per joint (*Fig. 2*).
4. Position nine 2" x 6" x 28" boards on top of the frame. Make sure decking is evenly spaced and secure using four 16D galvanized nails per plank (*Fig. 3*).

Fig. 1

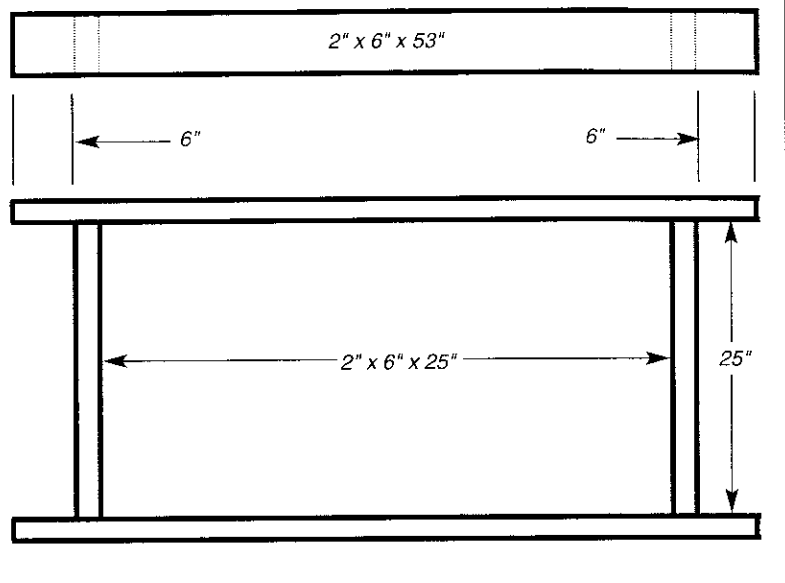


Fig. 2

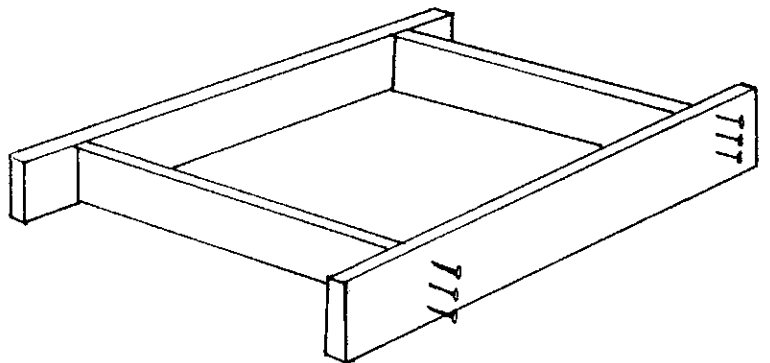


Fig. 3

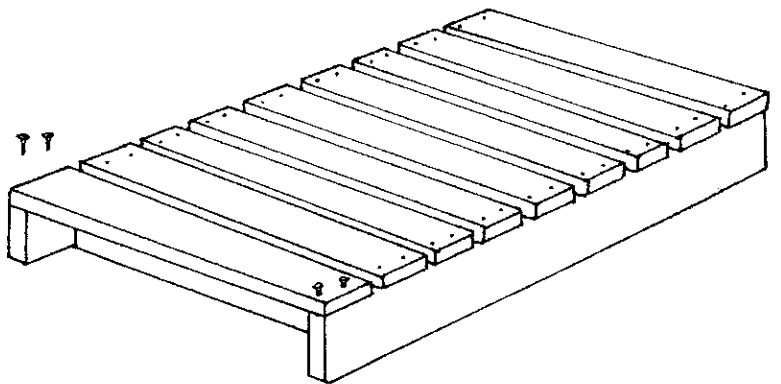
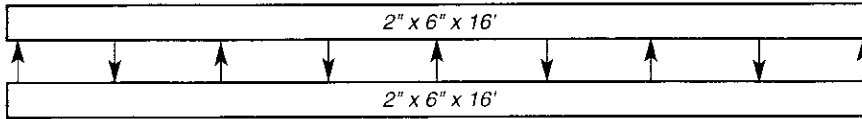
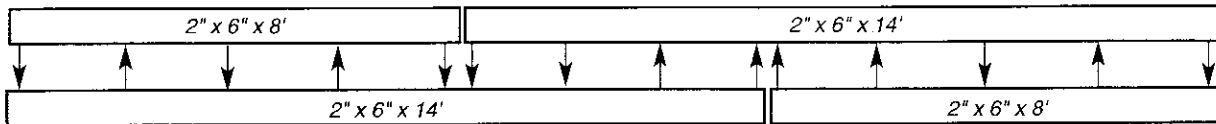


Fig. 4

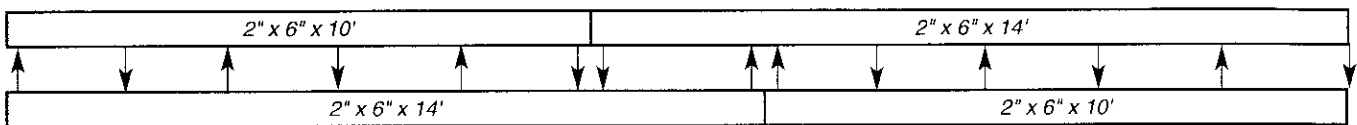
16' Trading Post - Laminated Beam Optional



22' Trailblazer - Laminated Beam Required

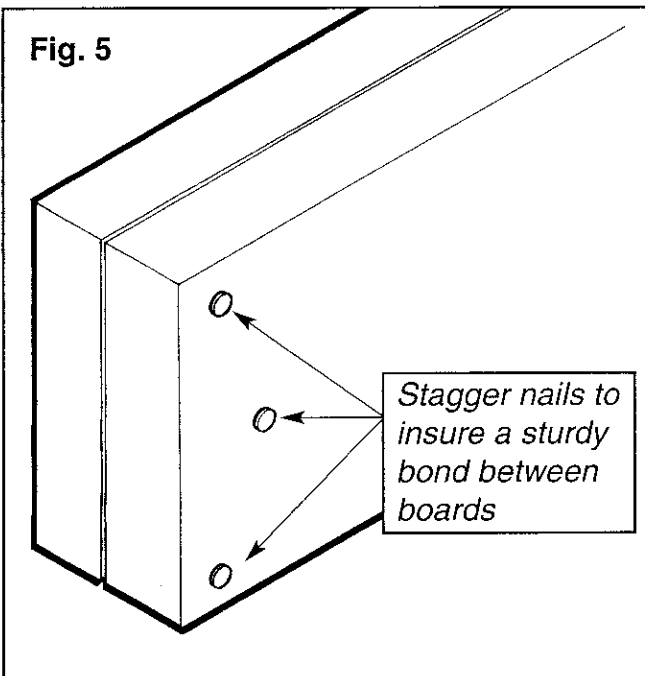


24' Landmark - Laminated Beam Required



NOTE: Nail through the boards every 24" and at each end of the members. Nail in the direction indicated by the arrows to insure required strength.

Fig. 5



B. Laminated Beam Instructions

1. If 4" x 6" lumber is not available, you may laminate 2" x 6" lumber together to create the beam.
2. Determine required beam length and use the lumber needed to construct a laminated beam as indicated in Fig. 4.
3. Lay the lumber on a flat surface and align all of the edges. **NOTE:** Make sure each corresponding piece of lumber is the same length. If they are not, trim board(s).
4. Starting from one end of the boards, measure and place a mark along the length of the lumber at 24" intervals (Fig. 4).
5. Assemble the beam by nailing each end together using three 10D galvanized nails (Fig. 4 & 5). **NOTE:** Nailing at a slight angle will insure nails do not penetrate the opposite side of the 2" x 6". Stagger nails as shown in Fig. 5 to insure a sturdy bond. Repeat at 24" intervals along entire length of the beam alternating sides at which the nail enters the lumber (Fig. 4). When beam is complete, measure and mark holes on the center of the beam as instructed on pages 10 & 11.

Hole Location & Clamp Placement

Fig. 6 16' Trading Post

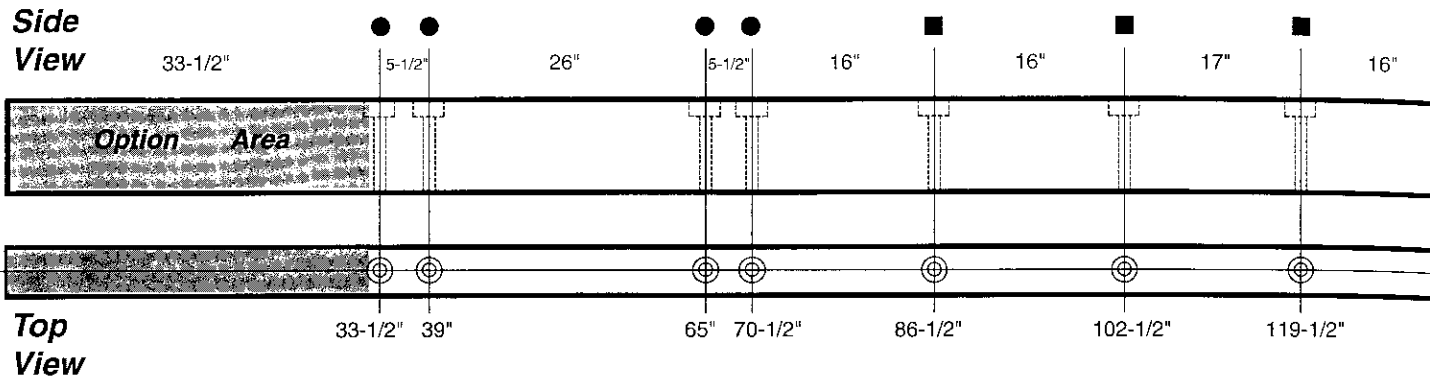


Fig. 7 22' Trailblazer

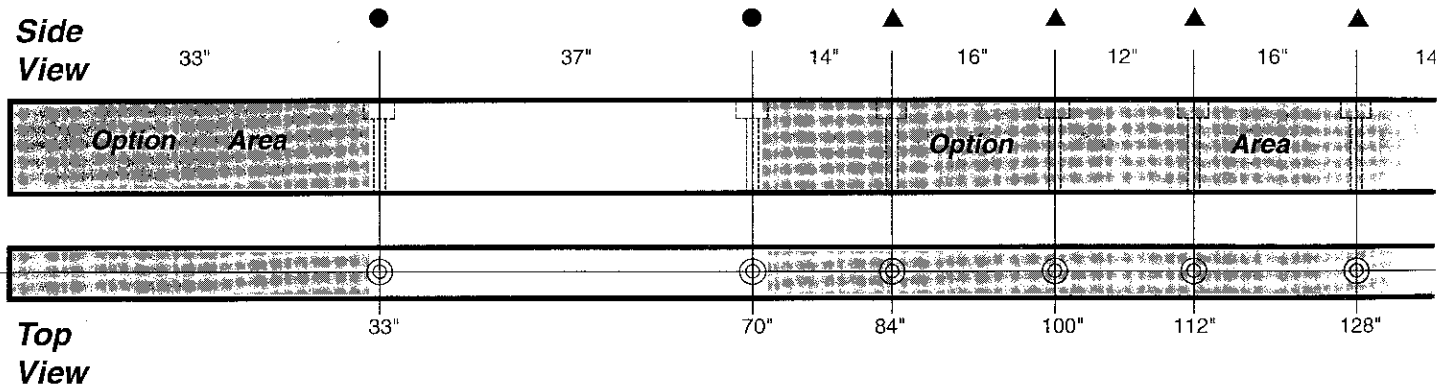
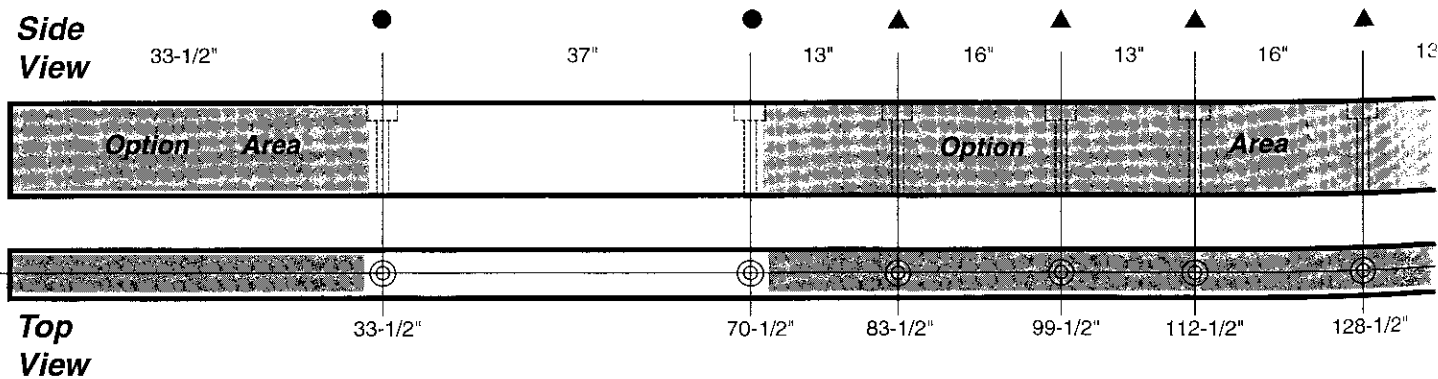


Fig. 8 24' Landmark

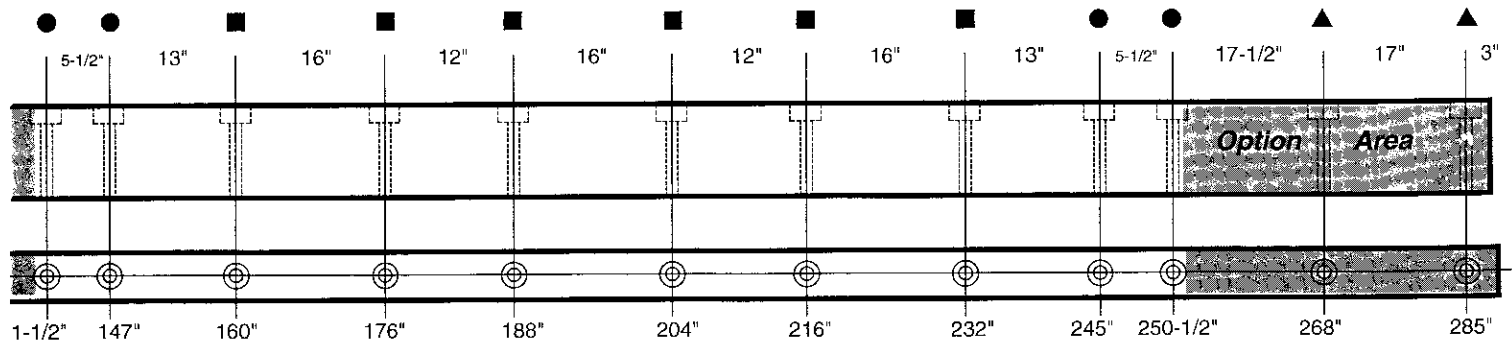
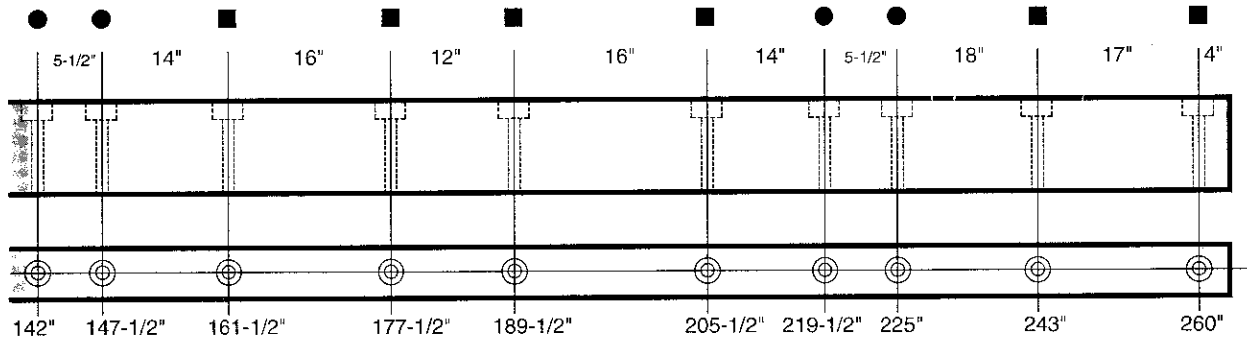
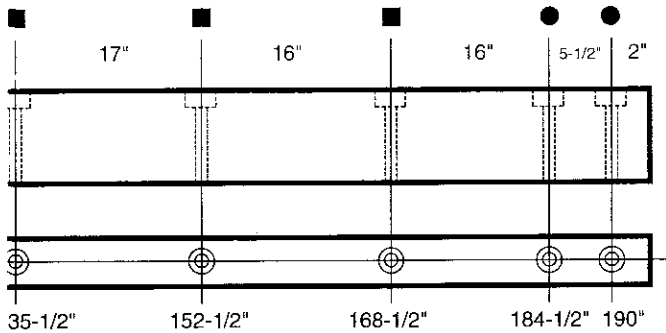


NOTE: The placement of the beam clamps are recommended locations. Those locations indicating accessory placement (▲). Holes requiring a top beam cover only (●) are used for frame a not necessary unless additional accessories are planned.

Assembly Instructions

- Indicates beam cover only
- Indicates beam cover and bottom beam clamp (slotted)
- ▲ Indicates an optional accessory area

NOTE: Dimensions above the beam diagrams indicate the distance between the center of each hole, dimensions below the beam diagrams are cumulative.



Beam covers and bottom beam clamps (■) may be switched with any area that indicates optional attachment and cannot be switched. Screened areas are option areas. Drilling holes in these areas is

Assembly Instructions

Fig. 9

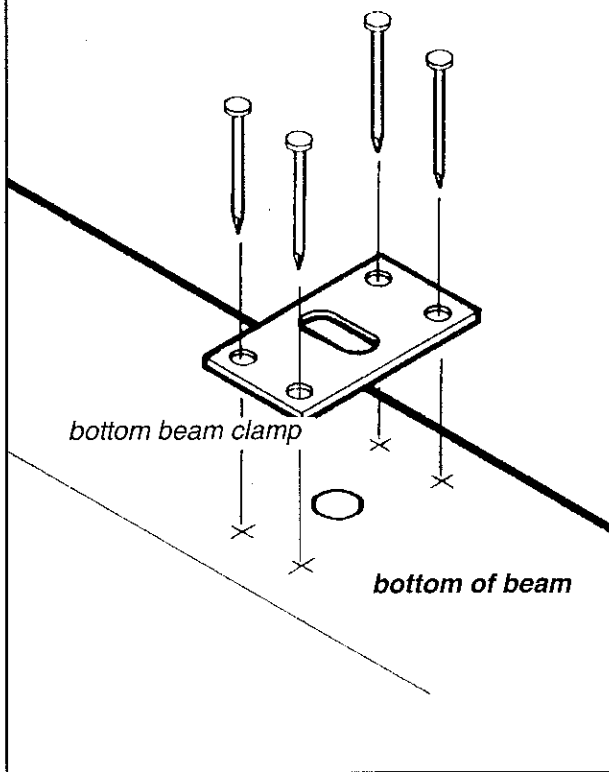
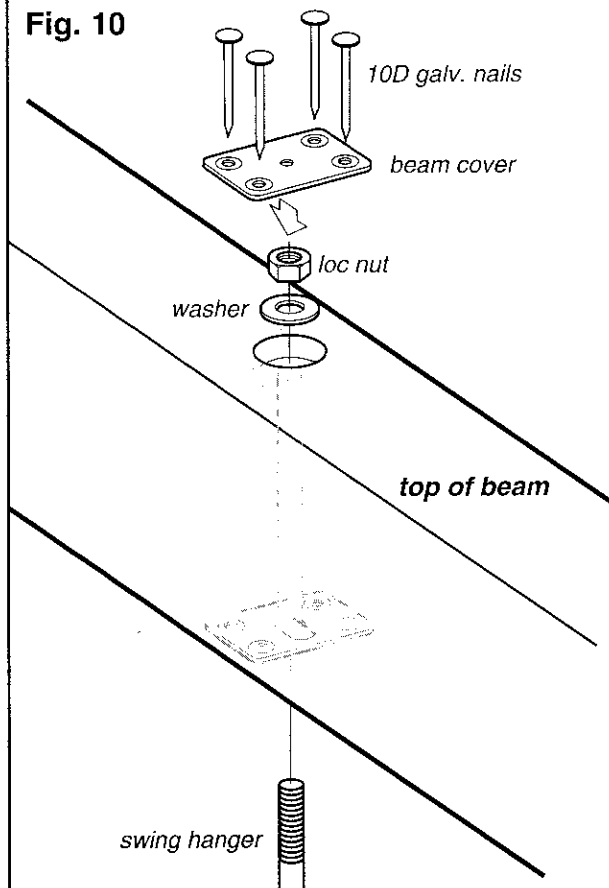


Fig. 10



C. Beam Assembly

1. If you are using a 2" x 6" laminated beam refer to page 9.
2. Measure and mark all holes on the center of the beam as indicated in Fig. 6, 7 or 8 on pages 10 & 11. If you are building the *Pioneer Trading Post*, refer to Fig. 6 for proper measurements. If you are building the *Trailblazer*, refer to Fig. 7, and if you are building the *Landmark*, refer to Fig. 8.
3. Using a 5/16" drill bit, drill holes through the beam at a 90° angle to the lumber. **NOTE:** If drill bit is not long enough, measure and mark the top and bottom of the beam and drill from both sides.
4. Turn the beam over and counterbore each hole approximately 5/8" inch deep using a 1-1/8" spade bit.
5. Place each bottom beam clamp so the slotted hole aligns with the 5/16" diameter hole on the bottom of the beam. Secure using four 10D galvanized nails per clamp, as indicated in Fig. 9. **NOTE:** Refer to the guides on pages 10 & 11, Figures 6, 7 or 8 for proper placement of bottom beam clamps and beam covers.
6. Choose the location of the swings and Iron Man Rings. Insert nylon bushing swing hangers in the corresponding holes and secure using a washer and loc nut (Fig. 10). Place a beam cover over the top of the counterbore and secure using four 10D galvanized nails as shown in Fig. 10.

Fig. 11

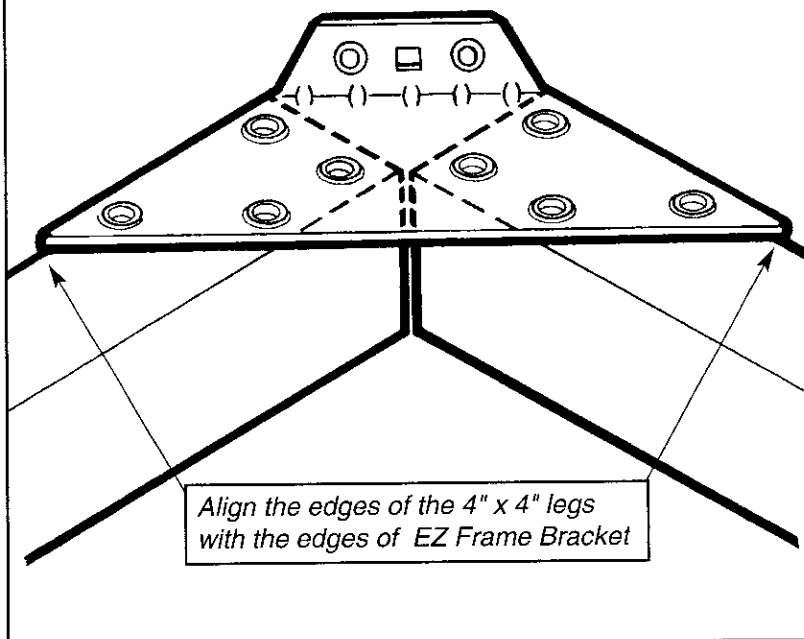
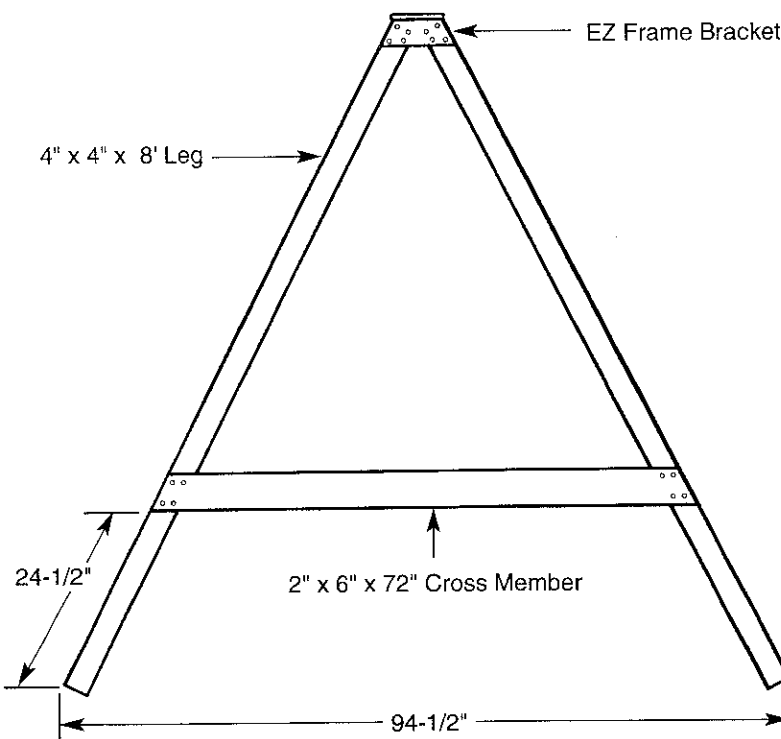


Fig. 12



NOTE: Two A-Frames are required when building the 22' Trailblazer or 24' Landmark

D. A-Frame Assembly

1. Measure the 4" x 4" x 8' legs to insure they are the same length. Adjust if necessary.
2. Lay two 4" x 4" x 8' legs on a flat surface with the ends together to form a "V". Place an EZ Frame bracket at the "V" and align edges of the 4" x 4" legs with edges of the EZ Frame bracket (Fig. 11).
3. Before securing the EZ Frame bracket, measure the base of the A-Frame from the outermost point of each 4" x 4" leg (Fig. 12). This dimension should be approximately 94-1/2".
4. Secure the EZ Frame Bracket to the 4" x 4" using eight 10D galvanized nails per bracket. Be careful to maintain the alignment of the bracket to the edges of the 4" x 4"s.
5. Place the 2" x 6" x 72" cross member on the A-Frame assembly. The bottom edge of the cross member should be approx. 24-1/2" from the bottom of the outside edge of the 4" x 4" (Fig. 12). **NOTE:** Cross member should be flush with the outside edge of the 4" x 4" legs. Attach the 2" x 6" x 72" cross member to the frame assembly using four 16D galvanized nails per joint (8 per board).
6. Turn the A-Frame over and add an EZ Frame Bracket to the other side. **NOTE:** No miter cut is required.
7. If you are building a *Trailblazer* or a *Landmark*, construct an additional A-Frame following steps 1-6.

Assembly Instructions

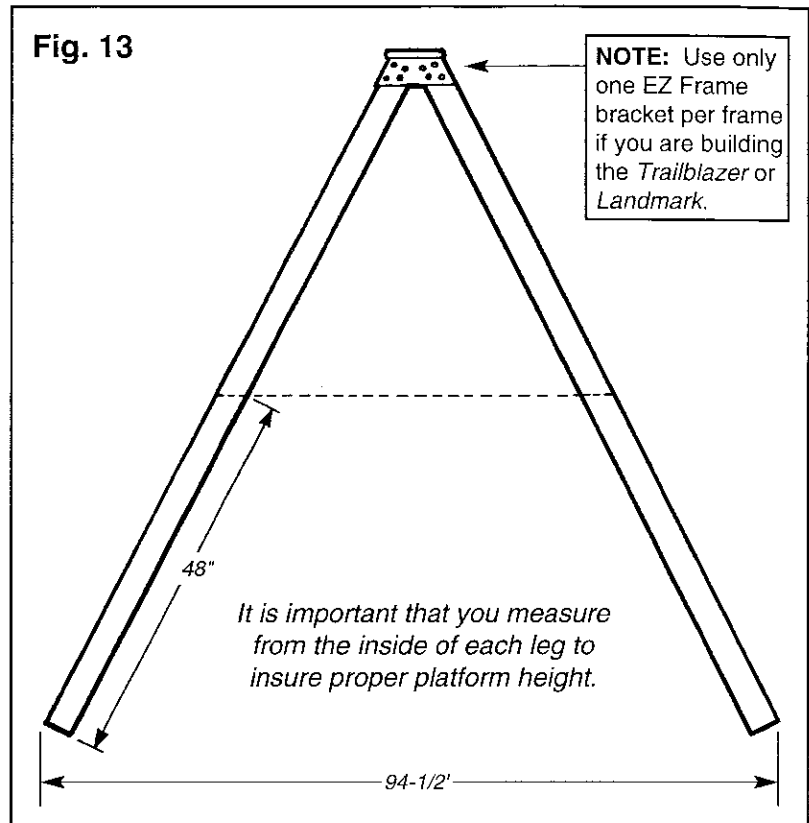
E. Deck & Frame Assembly

1. Using the remaining 4" x 4" x 8' lumber, construct two frames following steps 1-4 & 6 on page 13.

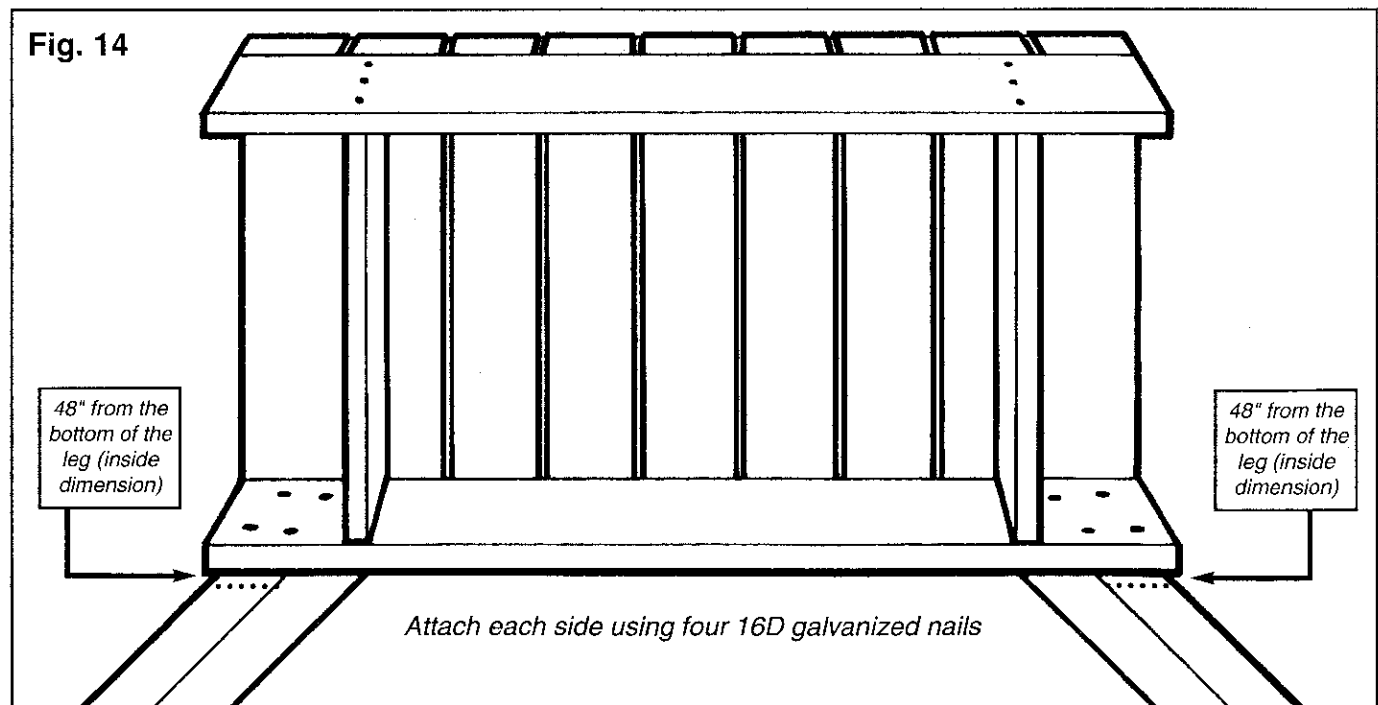
NOTE: Use only one EZ Frame bracket per frame if you are building the *Trailblazer* or *Landmark*.

2. Lay one A-Frame flat on the ground. Measure the base of the frame from the outermost points. The legs should be approximately 94-1/2" apart.

3. Measure and mark the location of the deck assembly bottom as indicated in *Fig. 13*. The bottom of the deck assembly should be approximately 48" from the bottom of the **inside** of each frame leg (*Fig. 13 & 14*).



4. Place the deck assembly on top of the frame. **NOTE:** If building the *Trailblazer* or the *Landmark*, EZ Frame brackets should be on the outside of the assembly (*Fig. 15, page 15*). Line up the bottom of the assembly with the 48" marks on each leg. Center the assembly on the frame and attach each side using four 16D galvanized nails (*Fig. 14*).



NOTE: When building the *Trailblazer* or *Landmark*, use only one EZ Frame bracket per frame and place to the outside of the assembly.

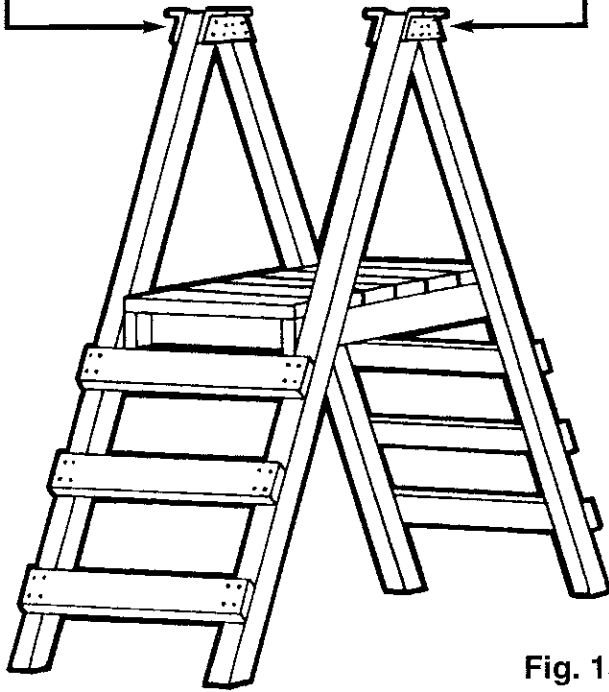


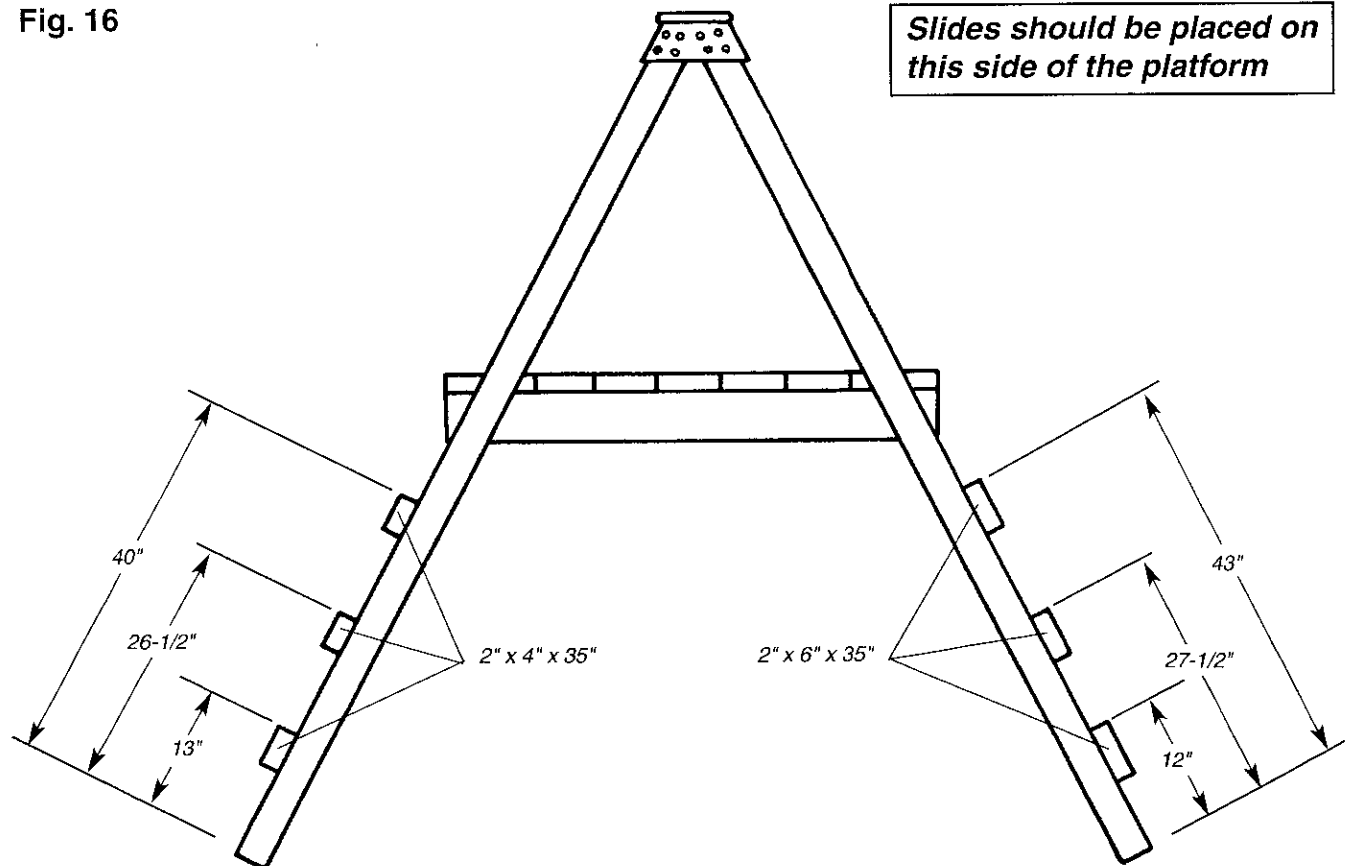
Fig. 15

E. Deck & Frame Assembly (cont.)

5. Lift the deck and frame assembly and secure the second A-Frame to the structure using four 16D galvanized nails per joint (Fig. 15).
6. Following dimensions in Fig. 16, attach three 2" x 6" x 35" steps to one side of the deck assembly using four 16D galvanized nails per joint.
7. Attach three 2" x 4" x 35" steps to the opposite side of the deck assembly as indicated in Fig. 16. Secure in the same manner as above using four 16D galvanized nails per joint.

NOTE: Slides should be attached to the side of the deck assembly containing the 2" x 6" steps.

Fig. 16



Assembly Instructions

F. Beam Placement

NOTE: You will need the assistance of at least one other individual to correctly attach the beam to the A-Frame(s).

1. Place beam on the ground and align EZ Frame brackets of the single A-Frame with corresponding holes in the beam (see pages 10 & 11 for hole locations). Insert a carriage bolt through the center hole in each EZ Frame bracket and continue through mating holes in the beam. Secure from above with a washer and loc nut (Fig. 18). Place a beam cover over the top of the counter-bore and secure using four 10D galvanized nails as shown in Fig. 18.

NOTE: It may be necessary to force carriage bolt through the beam with the aid of a hammer.

2. While frame assembly is still on its side, secure brackets in position using one 10D galvanized nail on each side of the carriage bolt (Fig. 18). **NOTE:** When building the *Trailblazer* or *Landmark*, a second A-Frame must be attached to the beam. Refer to Fig. 7 or Fig. 8 on pages 10 & 11 for the correct location of the second A-Frame and attach to the beam following steps 1 & 2.

3. Place the deck/A-Frame assembly upright in its final position. Lift beam and align appropriate holes with those in the deck/A-Frame assembly EZ Frame brackets (Fig. 19). Attach beam to the deck assembly using one carriage bolt and loc nut for each EZ Frame bracket. Secure brackets as in step 2 using one 10D galvanized nail on each side of the carriage bolt (Fig. 18).

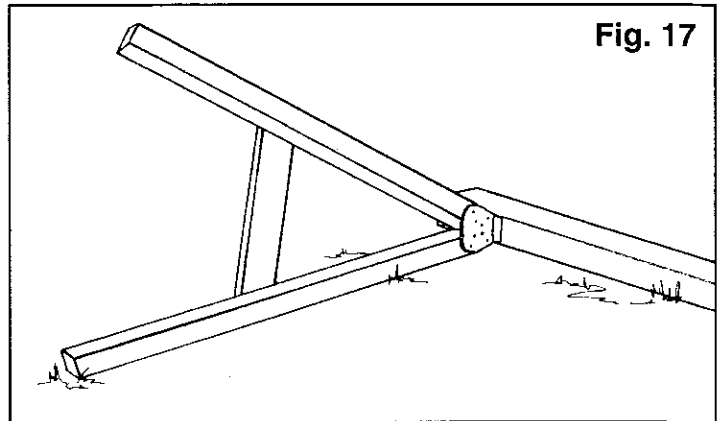


Fig. 17

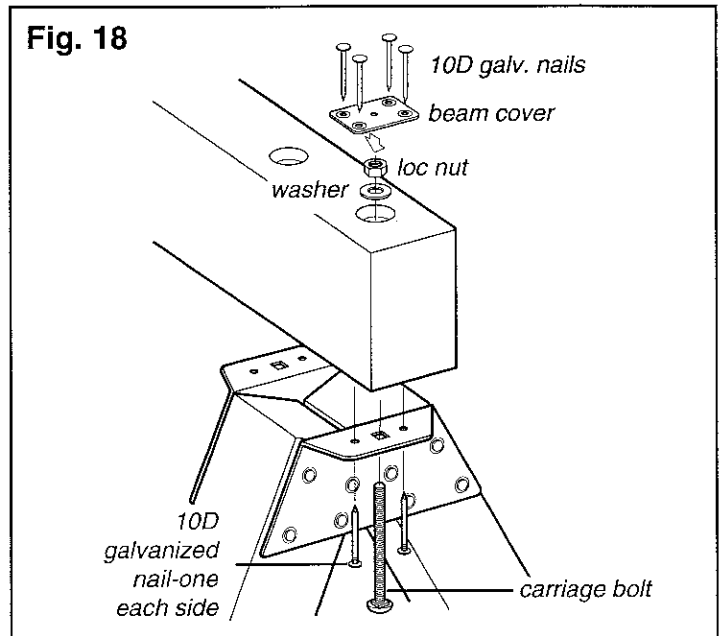


Fig. 18

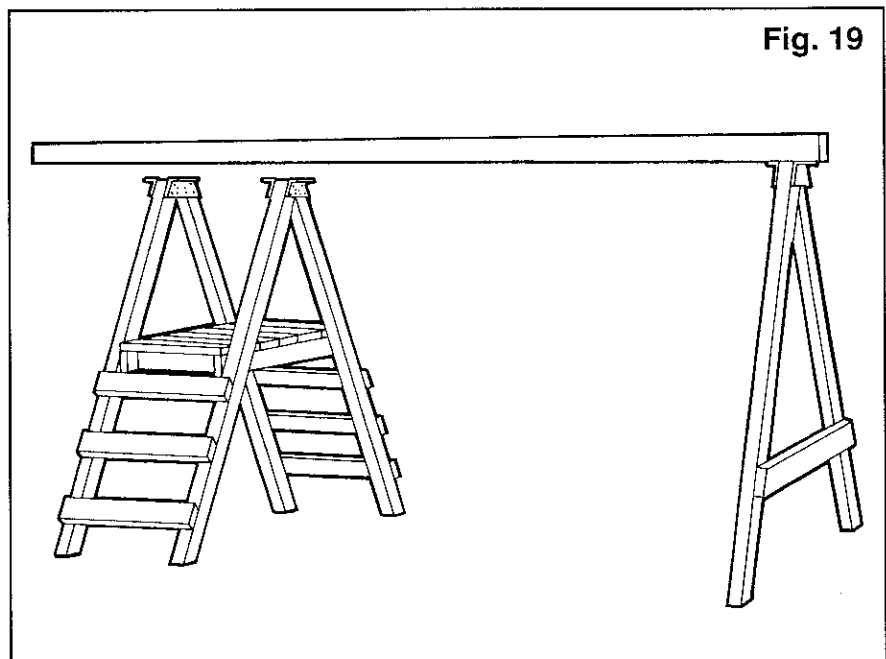
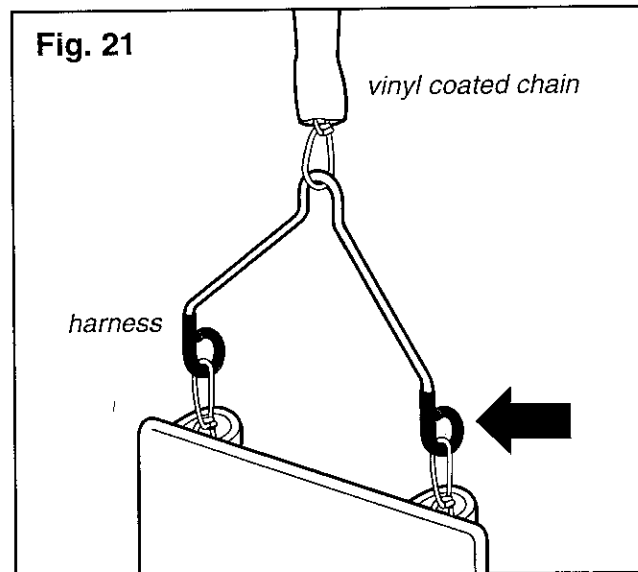
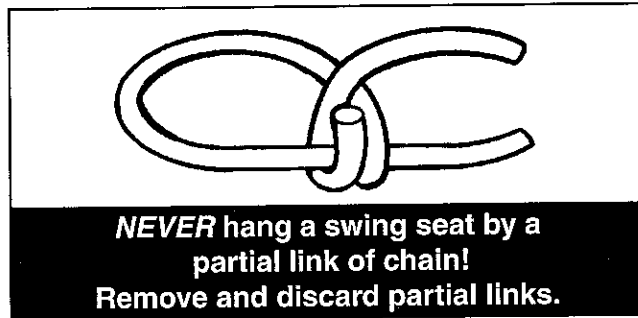
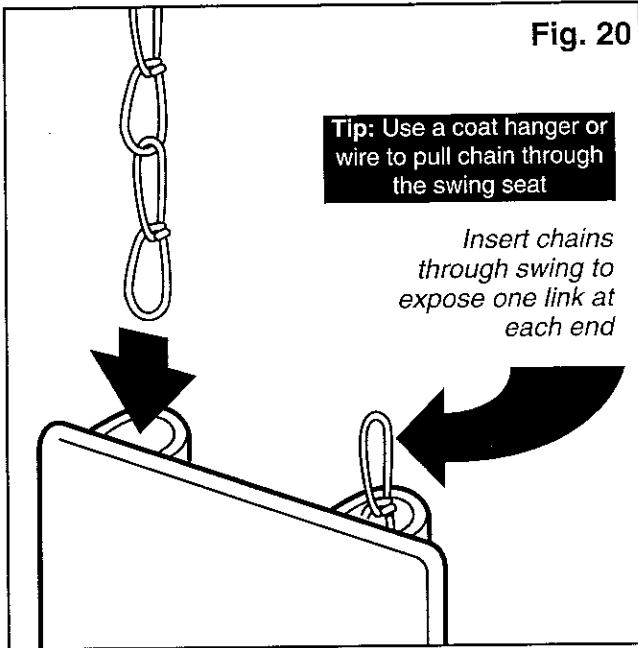


Fig. 19



WARNING: Improperly closed hooks could cause serious injuries. Close all hooks completely before use!

G. Final Assembly

1. Hold the swing seat vertically and insert uncoated chains through the channels on the bottom of the swing seat. One full link should show at each end of the seat (Fig. 20).
2. Remove the vinyl chain coating to expose one link at each end of the covered chains (Fig. 22). **NOTE:** Seat height can be adjusted in the same manner.
3. Place one covered chain onto each harness. (Fig. 21). Crimp harness end closed. **CAUTION:** It is important that you crimp harness ends completely closed. Place end of harness with hooks on a hard surface and force hooks closed with a hammer or squeeze closed with a pliers until parts are touching.
4. Hang the chains from the nylon bushing swing hangers. Crimp the hook opening closed with a pliers to secure the chains to the swing hangers (Fig. 22). Make sure all connections are tight and the legs of the set are level and stable.

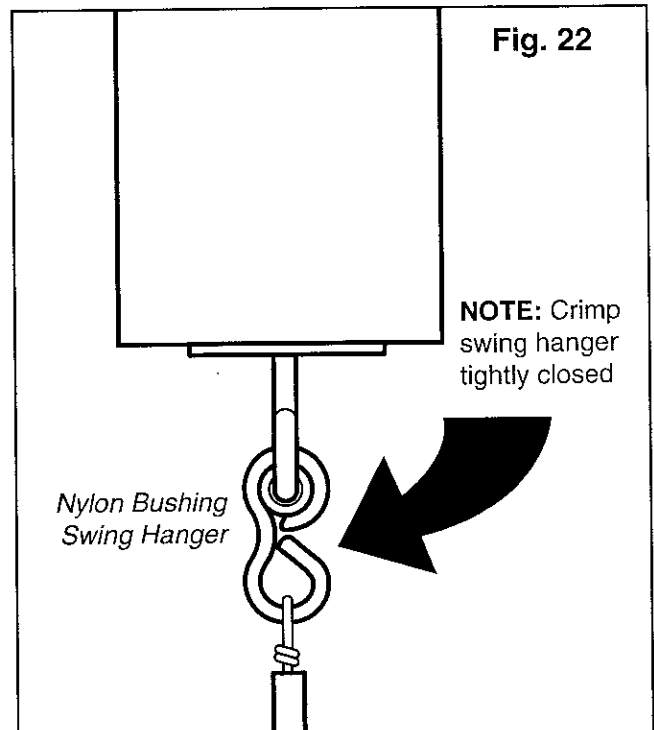
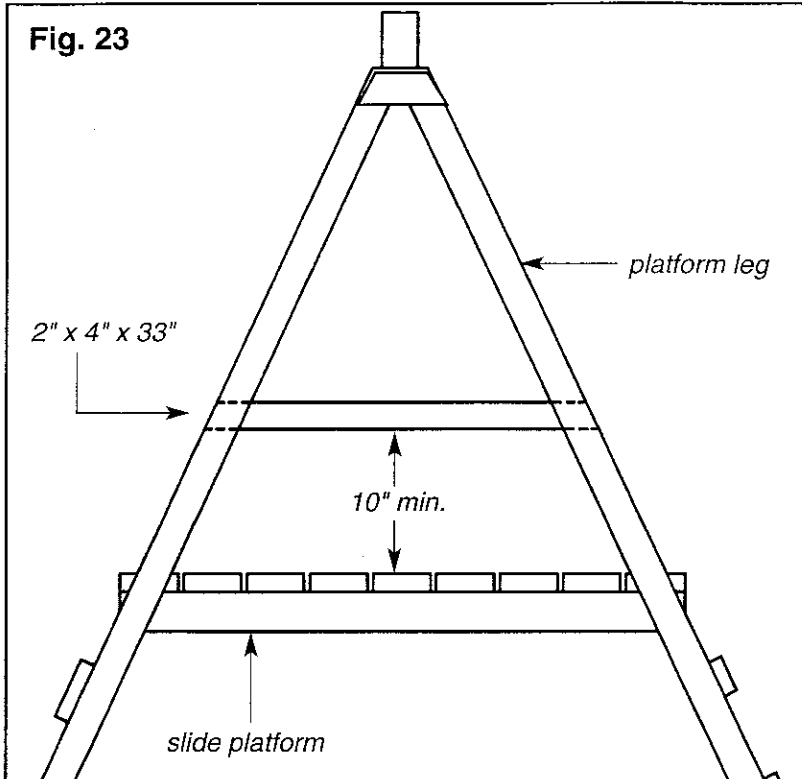


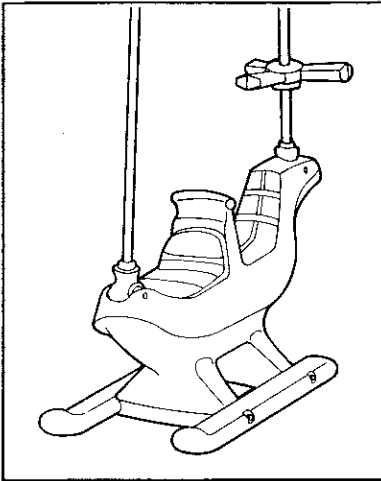
Fig. 23



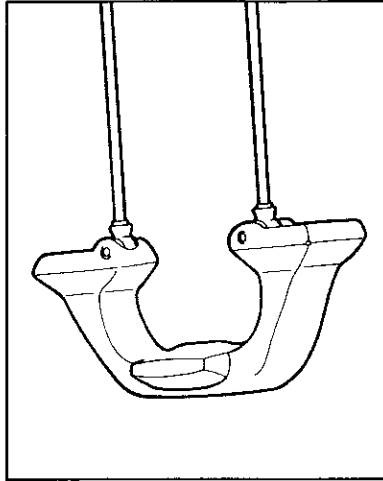
H. Guardrail Assembly

1. Position the 2" x 4" x 33" rails to the inside of the slide platform legs. **NOTE:** The edges of the rails should be flush with the legs of the slide platform and there must be a minimum of 10" between the bottom of rail and the top of the platform (Fig. 23).
2. Attach the rail to the slide platform using four 16D galvanized nails per joint.

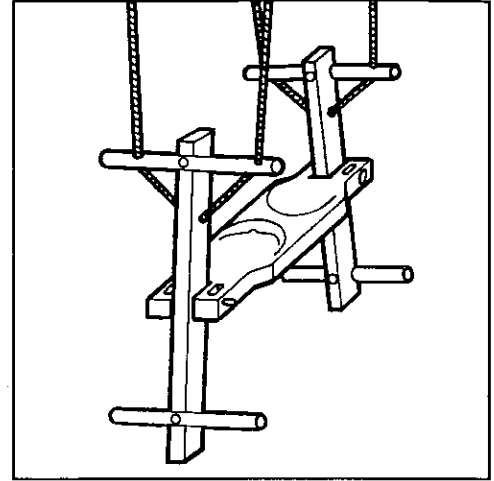
Compatible Accessories (sold separately)



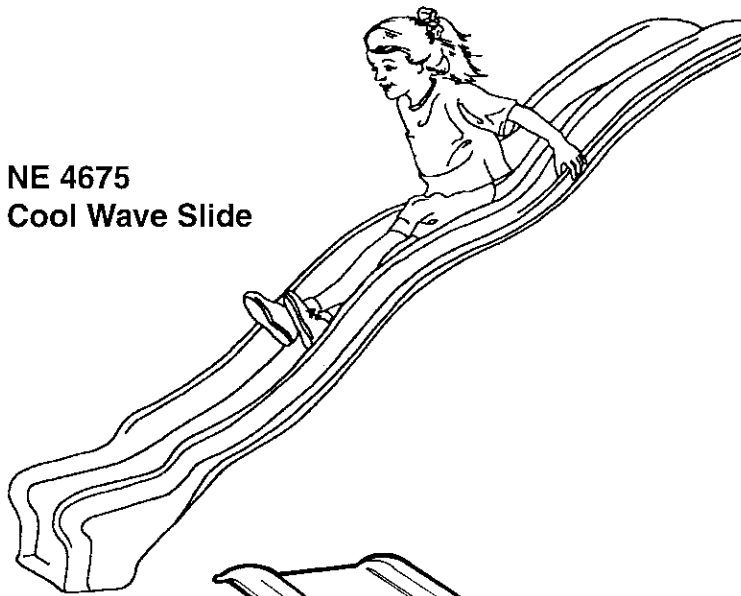
**NE 4602
Helicopter Swing**



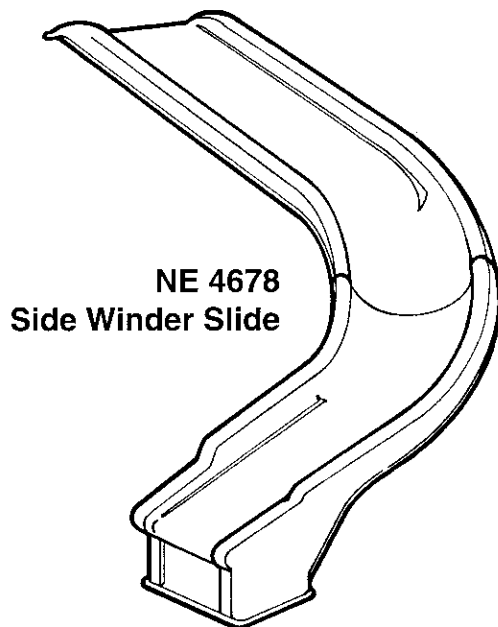
**NE 4603
3-In-1 Glider**



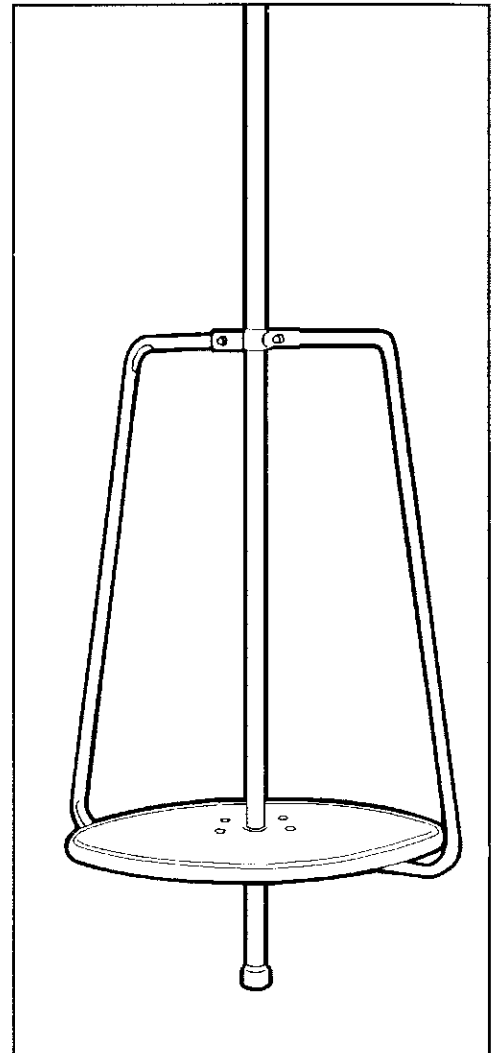
**NE 4490
EZ Ryder**



**NE 4675
Cool Wave Slide**

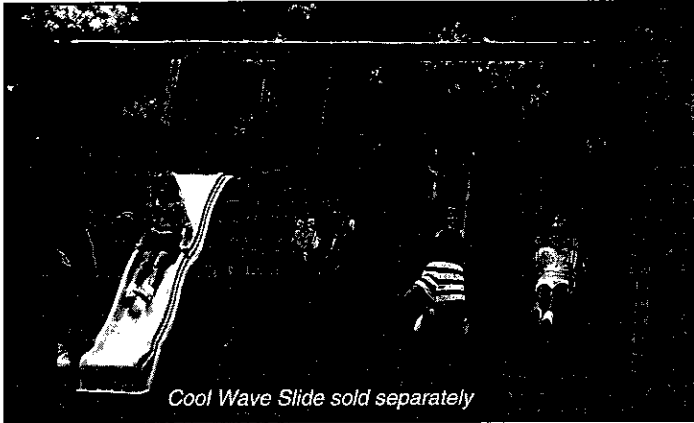


**NE 4678
Side Winder Slide**



**NE 4475
Merry-Go-Round**

Lumber Required - Bill of Materials



Cool Wave Slide sold separately

Pioneer 16' Trading Post

Qty.	Description
2	2" x 4" x 8'
1	2" x 4" x 10'
1	2" x 6" x 8'
2	2" x 6" x 10'
2	2" x 6" x 12'
6	4" x 4" x 8'
1	4" x 6" x 16' <i>or</i> (2) 2" x 6" x 16'
3#	10D galvanized nails (3")*
2#	16D galvanized nails (3-1/2")*



Cool Wave Slide, Cargo Net and Family Swing sold separately

Pioneer 22' Trailblazer - Family Fun Center

Qty.	Description
2	2" x 4" x 8'
1	2" x 4" x 10'
4	2" x 6" x 8'
2	2" x 6" x 10'
2	2" x 6" x 12'
2	2" x 6" x 14'
8	4" x 4" x 8'
3#	10D galvanized nails (3")*
2#	16D galvanized nails (3-1/2")*



Cool Wave Slide and Merry-Go-Round sold separately

Pioneer 24' Landmark

Qty.	Description
2	2" x 4" x 8'
1	2" x 4" x 10'
2	2" x 6" x 8'
4	2" x 6" x 10'
2	2" x 6" x 12'
2	2" x 6" x 14'
8	4" x 4" x 8'
3#	10D galvanized nails (3")*
2#	16D galvanized nails (3-1/2")*

* Galvanized self-drilling screws may be used in place of galvanized nails.

Swing-N-Slide®

1212 barberry drive, janesville, wisconsin 53545

1-800-888-1232