

**Swing-N-Slide®**

NE 4433L

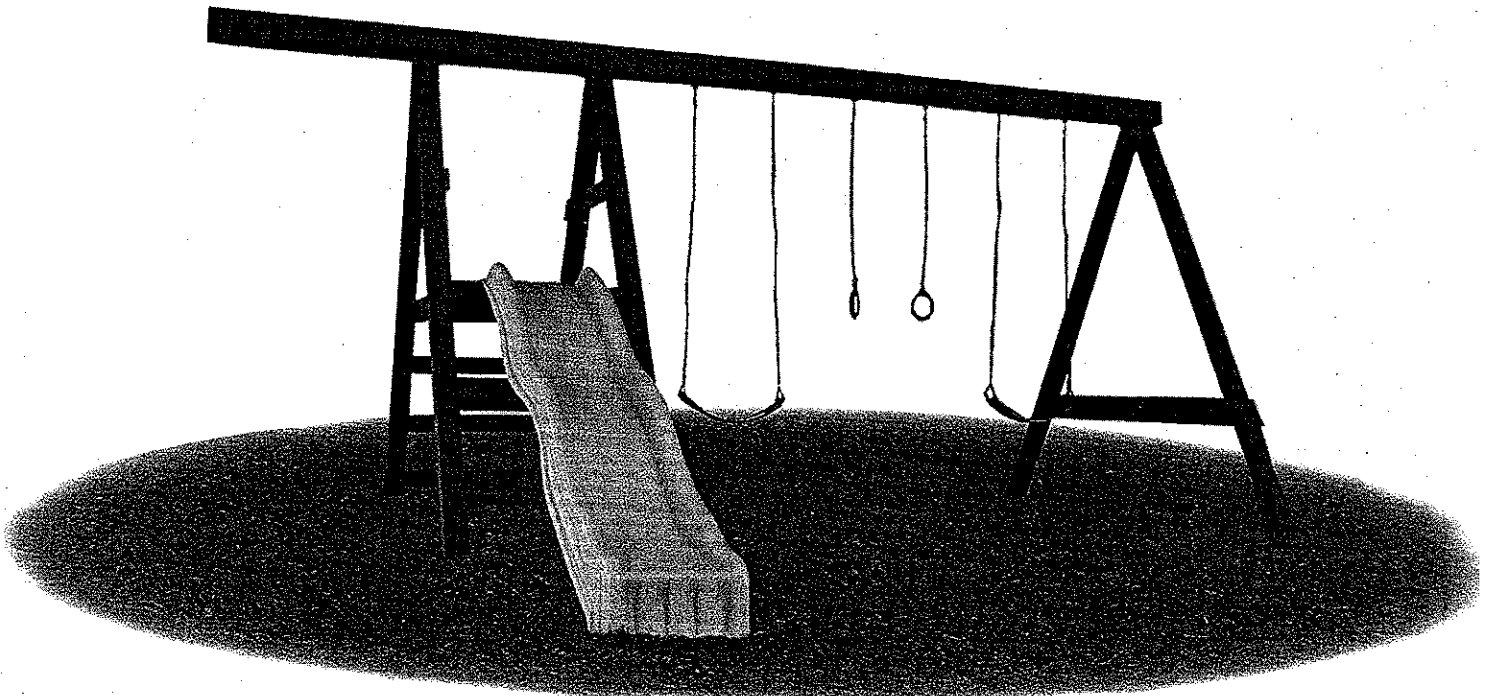
We Put Kids First.

# Pioneer™



**ULTIMATE**

Slide and some accessories sold separately



**PREMIER**

Slide and some accessories sold separately



SEAL OF APPROVAL

*A complete guide for the assembly of the Pioneer Ultimate and Premier*

# IMPORTANT!

*This product is intended for single family residential use only and not intended for use in any public setting. Placement in any public setting constitutes a misuse of this product.*

## REQUIRED SAFETY INSTALLATION INSTRUCTIONS

**ANCHORING INFORMATION** According to ASTM requirements, all rope ends must be anchored to the ground. If soil conditions permit stakes to be pulled out easily, cementing into ground is necessary. In addition, Swing•N•Slide recommends that all units be anchored to the ground. For quick and easy staking, purchase Swing•N•Slide NE 4521 Anchor-It Ground Anchors.

- **When anchoring the unit to the ground using wooden stakes**, use 2" x 4" x 18" (45mm x 95mm x 457mm) pressure-treated stakes. Pound stakes into ground at least 12" (305mm) at all inside corners of the posts (including A-frame legs and climbing unit posts). Attach with four (4) 16D galvanized nails per stake into each 4" x 4" (95mm x 95mm) post.
- **When anchoring a climbing rope with wooden stakes**, anchor the rope end. Use a 2" x 4" x 18" (45mm x 95mm x 457mm) pressure-treated stake. Drill a 1-1/4" (32mm) or 1-1/8" (29mm) hole through the stake approximately 1-1/2" (38mm) from the top of the stake. Cement stake into ground, leaving only the hole exposed. Insert rope end through hole in stake and tie a knot in the rope to secure.
- **Once the unit is completely assembled and before children are allowed to play on it, proper shock-absorbing surfacing material must be installed.** This may be accomplished by using loose-fill materials at a sufficient depth. The Consumer Product Safety Commission "Handbook for Public Playground Safety" lists the following materials and required depths that are sufficient for home/residential application. For fall height protection up to 9 ft. (2.742m) [recommended for Swing•N•Slide kits]:

### CRITICAL HEIGHTS OF TESTED MATERIALS

MATERIAL	UNCOMPRESSED DEPTH			COMPRESSED DEPTH
	6 inch	9 inch	12 inch	9 inch
Wood Chips*	7 feet	10 feet	11 feet	10 feet
Double Shredded Bark Mulch	6 feet	10 feet	11 feet	7 feet
Engineered Wood Fibers**	6 feet	7 feet	>12 feet	6 feet
Fine Sand	5 feet	5 feet	9 feet	5 feet
Coarse Sand	5 feet	5 feet	6 feet	4 feet
Fine Gravel	6 feet	7 feet	10 feet	6 feet
Medium Gravel	5 feet	5 feet	6 feet	5 feet
Shredded Tires***	10-12 feet	N/A	N/A	N/A

\* This product was referred to as Wood Mulch in previous versions of the Handbook for Playground Safety. The term Wood Chips more accurately describes the product.

\*\* This product was referred to as Uniform Wood Chips in previous versions of the Handbook for Playground Safety. In the playground industry, the product is more commonly known as Engineered Wood Fibers.

\*\*\* This data is from tests conducted by independent testing laboratories on a 6 inch depth of uncompressed shredded tire samples produced by four manufacturers. The tests reported critical heights which varied from 10 feet to greater than 12 feet. It is recommended that persons seeking to install shredded tires as a protective surface request test data from the supplier showing the critical height of the material when it was tested in accordance with ASTM F 1292.

When properly installed, shock absorbing material will completely cover the horizontal baseboards on climbing units. This protective surfacing must extend a **minimum** of 6 ft. (1.828m) in all directions from the perimeter of the equipment or from the outermost edges of any component. For example, a slide extending beyond the platform must have protective surfacing at least 6 ft. (1.828m) out from both sides as well as the end. For swings, with a 7' pivot point, the protective surface must extend **at least 14 ft.** out from **both** the back and front of the swing when the swing is in its rest position.

**Read ALL instructions completely before beginning assembly**

## CAUTION

When building this kit, at least two people are required for lifting and holding beams, frames or other heavy assemblies in position before bolting or nailing. Special precautions must be taken when handling treated wood. Contact your local supplier for specific information.

**SAFETY** - Wear safety glasses to protect your eyes from flying wood chips when cutting or drilling. Use a dust mask. Blunt nail points to prevent wood from splitting. To prevent splinters, sand the corners, edges, and all the points of the wood by wrapping a piece of 80 grit sandpaper around a block of wood and sanding.

## Safety First

**PARENTS:** Before building a backyard play area please take the time to read all instructions completely and caution your children accordingly. Observing the following statements and warnings reduces the likelihood of serious or fatal injuries.

### INSTALLATION:

1. Read instructions completely prior to beginning assembly.
2. Do not deviate from these plans or alter design.
3. Be sure all hardware is tightened securely and flush to the intended member. Any caps provided which go over exposed bolts must be fastened securely.
4. Upon final assembly, bolt ends shall not protrude beyond the nuts more than the diameter of the bolt when the nuts are tightened to a torque between 20 & 25 lbf.in. (2.3 & 2.8 N.m). Remove any sharp edges with a metal file.
5. Place the equipment on level ground, not less than six feet (1.8 meters) from any structure or obstruction such as a fence, garage, house, overhanging branches, laundry lines or electrical wires.
6. Do not install home playground equipment over concrete, asphalt, packed earth or any other hard surface. A fall onto a hard surface can result in serious injury to the equipment user.
7. Verify that suspended ropes and chains (except those used for swings) are secured at both ends so that they cannot be looped back on themselves.
8. To prevent serious injury, children must **not** be allowed in the area during assembly and they must not be allowed to use the equipment until it is properly installed.
9. Save this plan for future reference.

**The Sun:** Slides should **not** have a southern exposure unless they are shaded from mid-day and afternoon sun. Unshaded slides facing south can get hot and cause discomfort to bare skin. Northern exposures or shaded areas are definitely best.

### OPERATION:

1. On-site adult supervision must be provided for children of all ages.
2. Be sure to teach children the following before allowing them to use the equipment:
  - A. Do not walk close to, in front of, behind or between moving items.
  - B. Do not twist swing or any other accessory chains or ropes or loop them over the beam as this will reduce the strength of the chain or rope.
  - C. Do not swing empty seats or other accessories.
  - D. Sit in the center of the swing seat and other accessories with full weight on seat.
  - E. Do not use equipment in a manner other than intended.
  - F. Do not get off equipment while it is in motion.
  - G. Do not climb on the equipment when it is wet.
  - H. Do not attach items to the playground equipment that are not specifically designed for use with Swing-N-Slide equipment, such as, but not limited to, jump ropes, clothesline, pet leashes, cables and chain as they may cause a strangulation hazard.
3. Only one child per planned occupant seat should be allowed on this set at one time. Individual accessory weight limitations may vary, see packaging for details.
4. Dress children appropriately for play. Avoid clothing with draw strings and loose fitting clothes which could become entangled or snagged on equipment.

**Questions???...Call our Customer Service Department at 1-800-888-1232**

## Safety Instructions (Cont.)

**WARNING:** Lawn swings are designed for use by children two years of age and older. Use by children under the age of two can result in entrapment between the seats and back areas. **NEVER** place children in a rearward facing position or with legs between seat and backrest because the child's body may pass through the opening causing entrapment of the child's head.

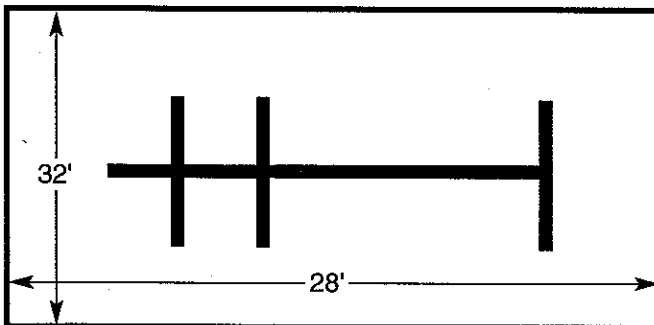
### Maintenance:

1. Check all nuts and bolts twice monthly during the usage season for tightness and tighten as required. It is particularly important that this procedure be followed at the beginning of each season.
2. Remove plastic swing seats and other plastic accessories and take indoors, or do not use when the temperature drops below 0° F.
3. Oil all metallic moving parts monthly during usage period.
4. Check all hardware and equipment for sharp edges twice monthly during usage season and replace them as necessary. It is especially important to do this at the beginning of each new season.
5. Check swing seats and protective sleeves for cracks. Cracks in the seat or sleeves are signs of deterioration. If these conditions exist replace swing seat immediately. Call 1-800-888-1232 for more information about replacement.
6. Check chains, ropes and cables monthly during the usage season for signs of deterioration, severe rusting or excessive wear (especially near the top swing hanger or at the seat connection). If these conditions exist replace affected accessory immediately. Call 1-800-888-1232 for more information about replacement.
7. Use a water seal on your gym set to protect the wood and prevent cracking and warping.
8. Sand rusted areas on tubular members and repaint using a nonlead-based paint meeting the requirements of Title 16 CFR part 1303.

### Disposal:

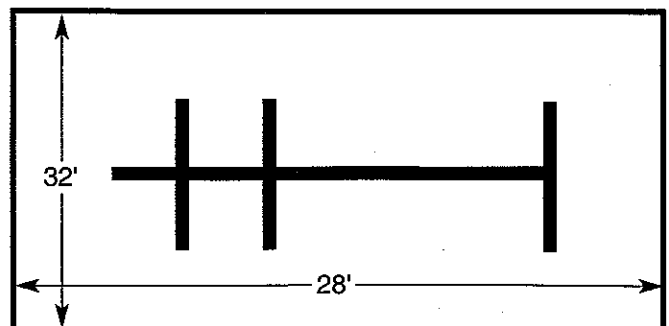
1. When the activity center is to be taken out of service, remove all play components and disassemble. Dispose in such a way that no unreasonable hazards will exist at the time the activity center will be disposed of. Dispose of following local disposal requirements.

## Minimum Use Zone



Minimum use Zone - *Pioneer Premier*  
Set Dimensions - 8' W x 16' L x 8' H

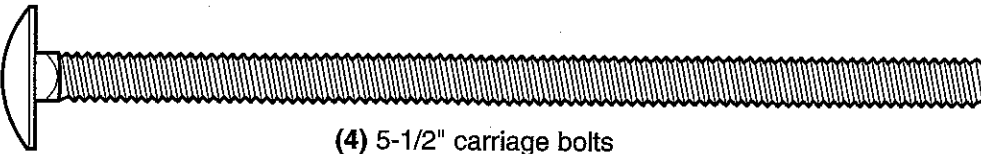
Minimum use Zone - *Pioneer Ultimate*  
Set Dimensions - 8' W x 16' L x 8' H



## Tools Required

Circular Saw, Electric Drill, Hammer, Safety Glasses, Tape Measure, 1/8" Drill Bit, 5/16" Drill Bit, Square, 1-1/8" Spade Bit, Socket Wrench, 1/2" Socket and Phillips Head Screwdriver

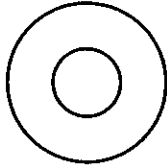
## Hardware Included (shown actual size)



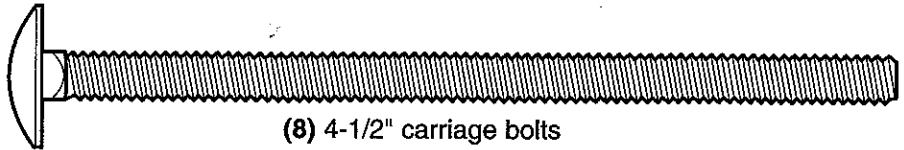
(4) 5-1/2" carriage bolts



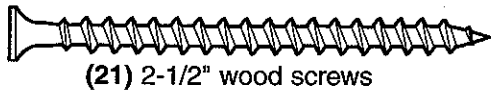
(18) loc nuts



(18) flat washers



(8) 4-1/2" carriage bolts



(21) 2-1/2" wood screws



(2) 1/2" panhead screws

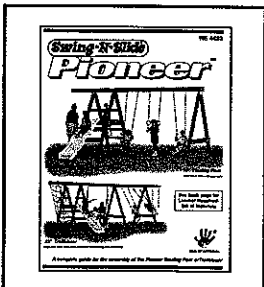


(72) 3" wood screws

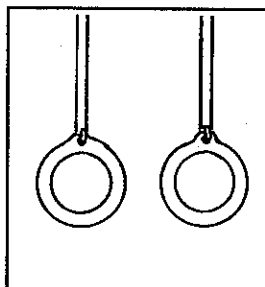


(64) 2" wood screws

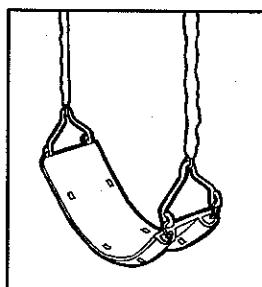
## Materials Included



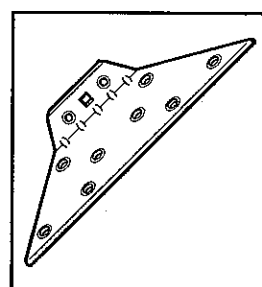
(1) Plan



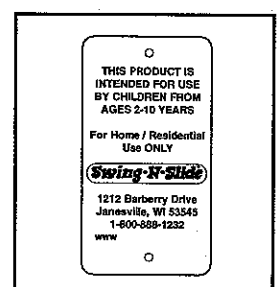
(1) Pair of Iron Man Rings



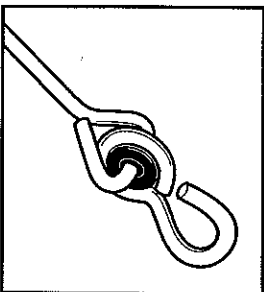
(2) Belted Swing Seats



(4) EZ Frame Brackets



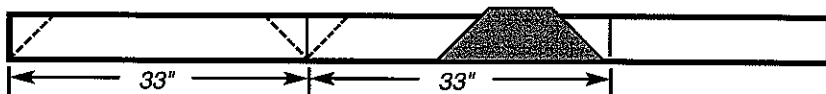
(1) Name Plate



(6) Swing Hangers

Missing Parts? Call us at 1-800-888-1232

# Pioneer Ultimate/Premier Cutting Guide



Use the EZ Frame Bracket as an angle guide

One 1" x 4" x 8'

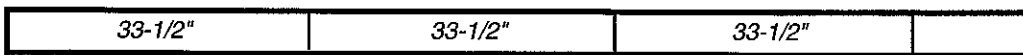


One 2" x 4" x 8'

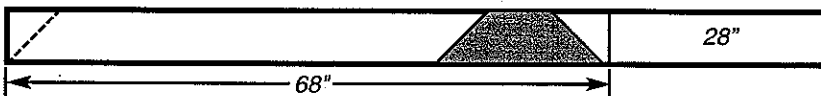


Use the EZ Frame Bracket as an angle guide

Two 2" x 4" x 8'

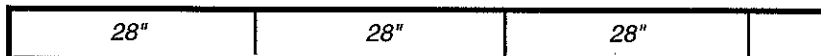


One 2" x 4" x 10'

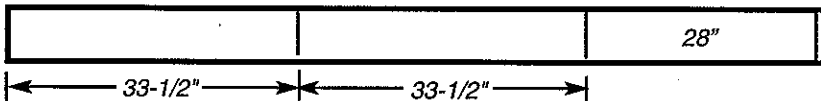


Use the EZ Frame Bracket as an angle guide

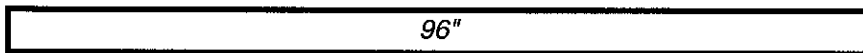
One 1" x 6" x 8'



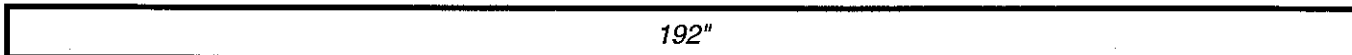
Two 1" x 6" x 10'



One 1" x 6" x 8'



Six 4" x 4" x 8'

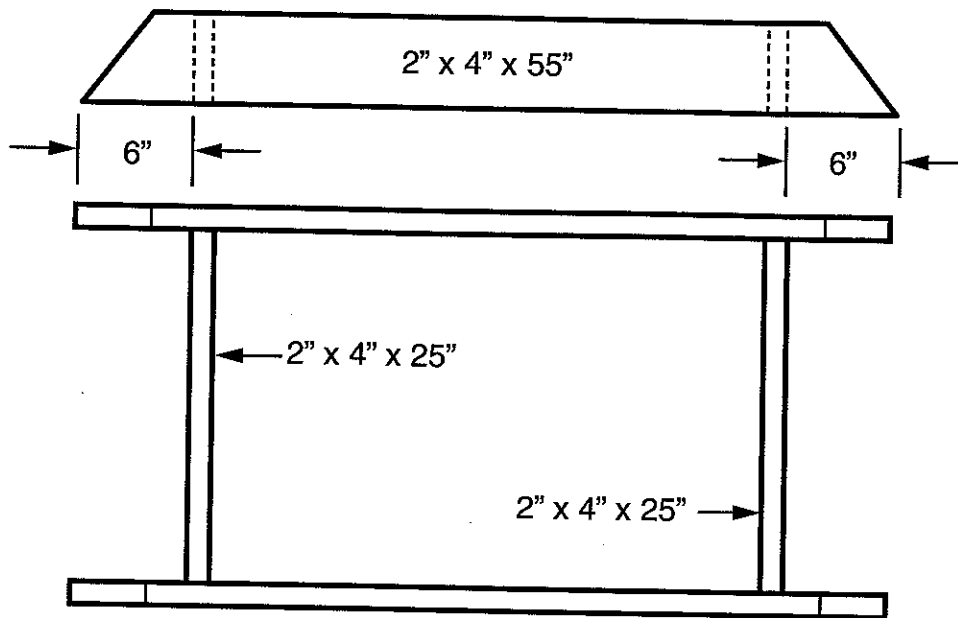


One 4" x 6" x 16' or Two 2" x 6" x 16'

**IMPORTANT: Measure and mark all lumber before cutting**

# Assembly Instructions

Fig. 1



## A. Deck Assembly

1. Measure 6" in from each end of two 2" x 4" x 55" members (Fig. 1).
2. Position lumber as indicated in Fig. 1. Make sure frame is square. Measure diagonally from corner to corner making sure measurement is the same.
3. Assemble frame using three 3" wood screws per joint (Fig. 2).
4. Position eight 1" x 6" x 28" boards on top of the frame. Make sure decking is evenly spaced and secure using four 2" wood screws per plank (Fig. 3).

Fig. 2

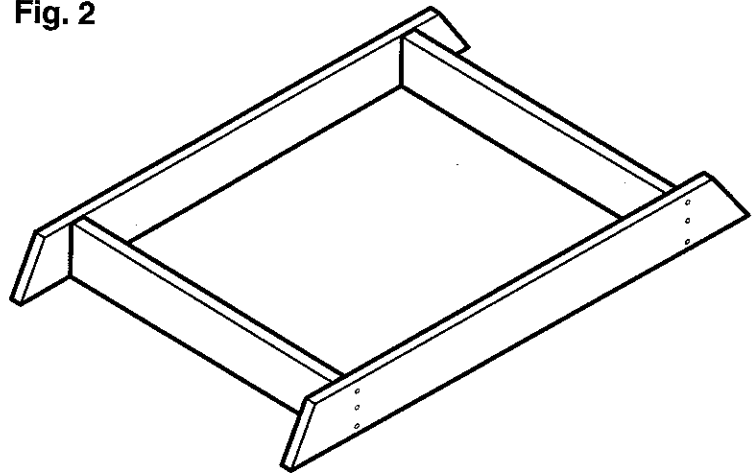


Fig. 3

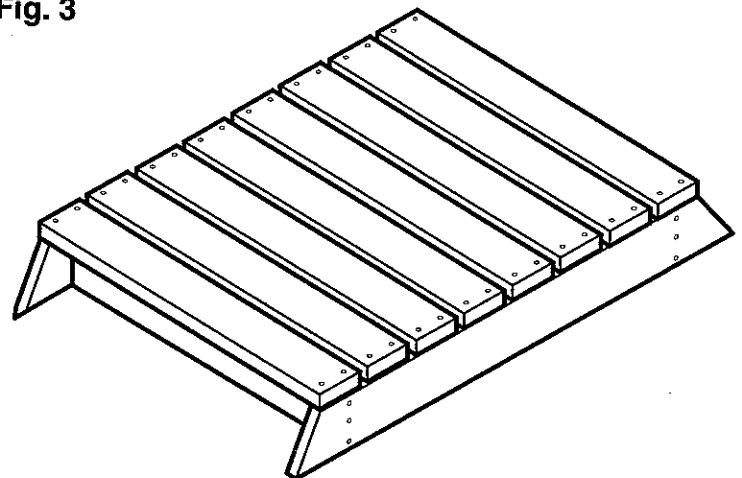


Fig. 4

**NOTE:** Screw through the boards every 24" and at each end of the members. Screw in the direction indicated by the arrows to insure required strength.

Laminated Beam Optional

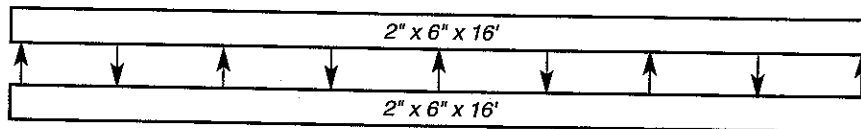
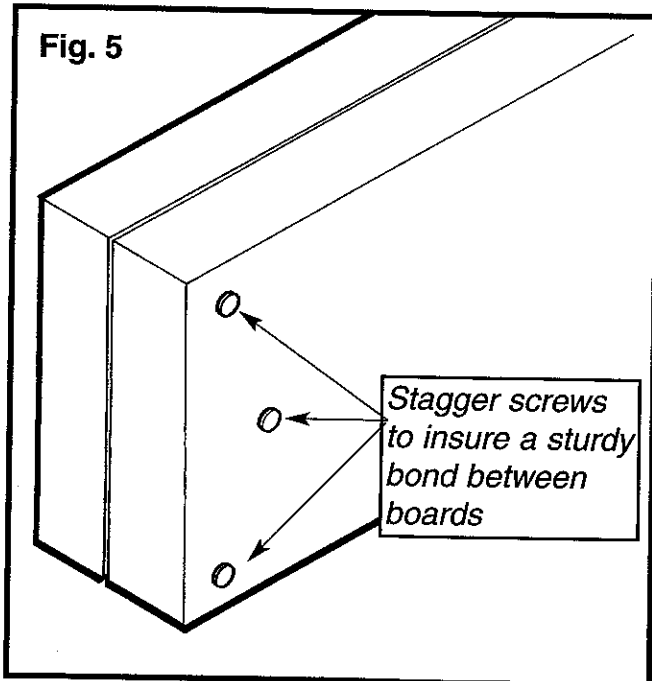


Fig. 5

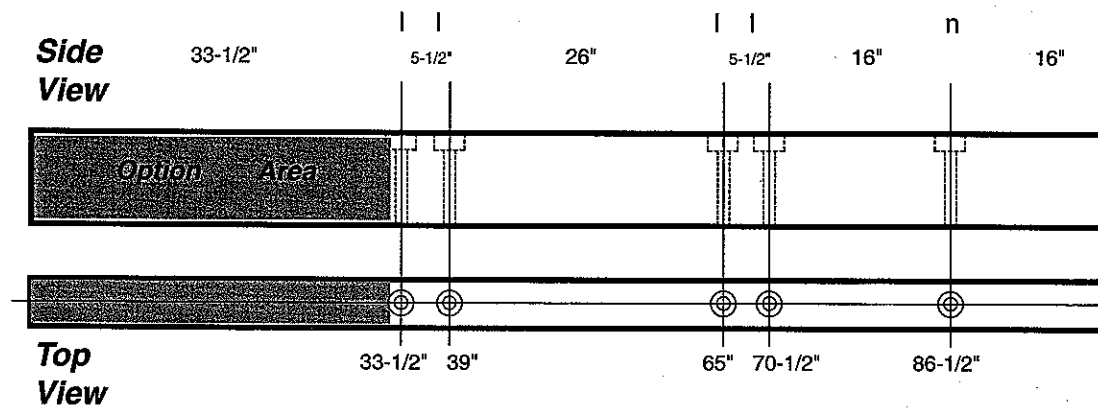


## B. Laminated Beam Instructions

1. If 4" x 6" lumber is not available, you may laminate 2" x 6" lumber together to create the beam.
2. Determine required beam length and use the lumber needed to construct a laminated beam as indicated in Fig. 4.
3. Lay the lumber on a flat surface and align all of the edges. **NOTE:** Make sure each corresponding piece of lumber is the same length. If they are not, trim board(s).
4. Starting from one end of the boards, measure and place a mark along the length of the lumber at 24" intervals (Fig. 4).
5. Assemble the beam by attaching each end together using three 2-1/2" wood screws (Fig. 4 & 5). **NOTE:** Stagger screws as shown in Fig. 5 to insure a sturdy bond. Repeat at 24" intervals along entire length of the beam alternating sides at which the screw enters the lumber (Fig. 4). When beam is complete, measure and mark holes on the center of the beam as instructed on pages 10 & 11.

# Hole Location & Clamp Placement

Fig. 6 Pioneer Ultimate and Premier

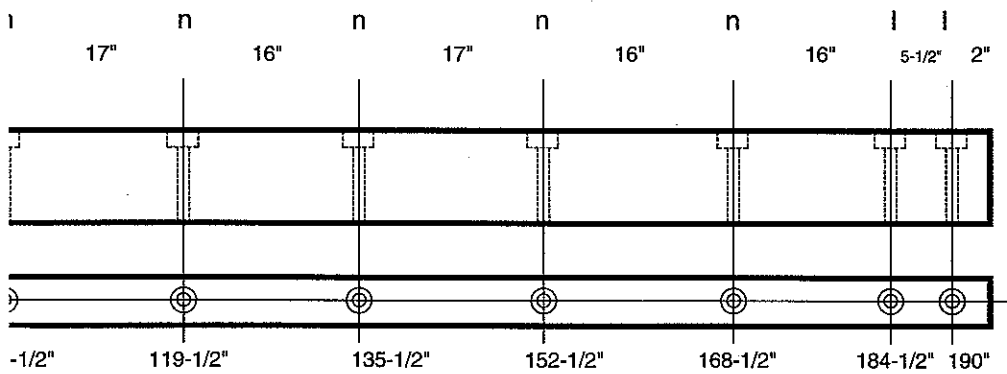


**NOTE:** The placement of the beam clamps are recommended locations. Those locations indicating | accessory placement ( s ). Holes requiring a top beam cover only ( l ) are used for frame att; not necessary unless additional accessories are planned.

# Assembly Instructions

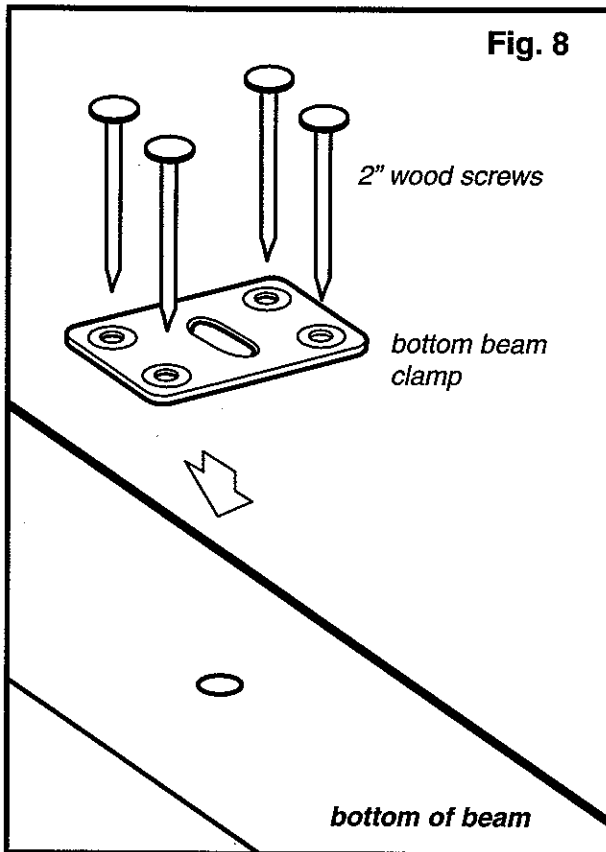
- l Indicates beam cover only
- n Indicates beam cover and bottom beam clamp (slotted)
- s Indicates an optional accessory area

**NOTE:** Dimensions above the beam diagrams indicate the distance between the center of each hole, dimensions below the beam diagrams are cumulative.



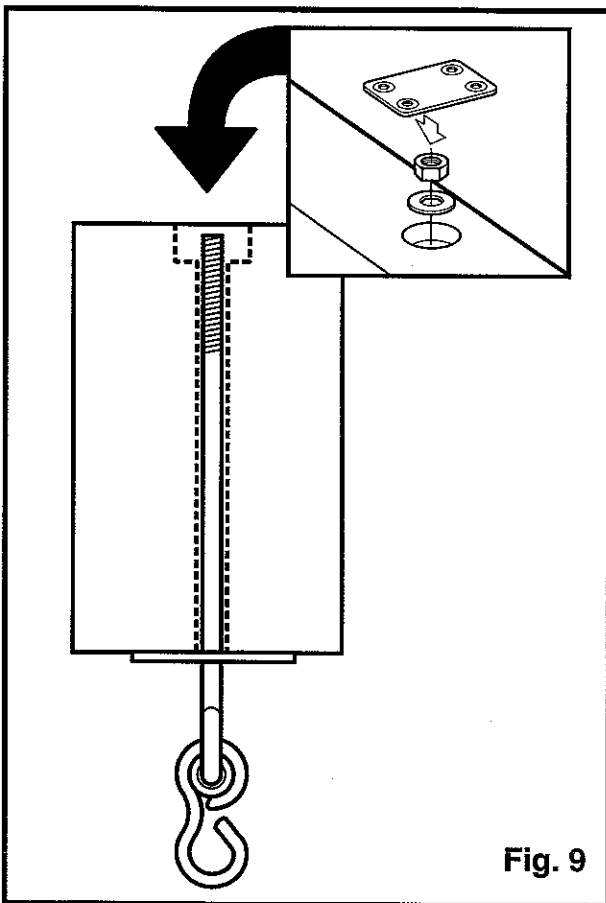
Beam covers and bottom beam clamps ( n ) may be switched with any area that indicates optional accessory area and cannot be switched. Screened areas are optional areas. Drilling holes in these areas is optional.

# Assembly Instructions

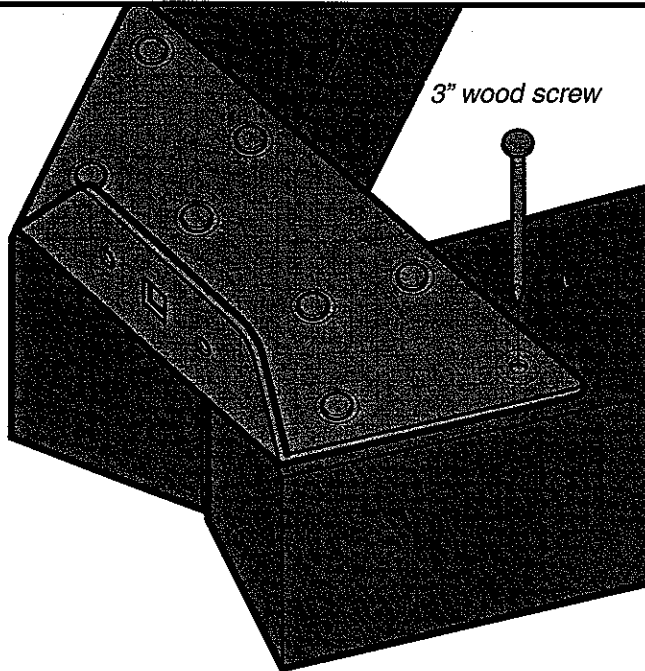


## C. Beam Assembly

1. If you are using a 2" x 6" laminated beam refer to page 9.
2. Measure and mark all holes on the center of the beam as indicated in Fig. 6 on pages 10 & 11.
3. Using a 5/16" drill bit, drill holes through the beam at a 90° angle to the lumber. **NOTE:** If drill bit is not long enough, measure and mark the top and bottom of the beam and drill from both sides.
4. Turn the beam over and counterbore each hole approximately 5/8" inch deep using a 1-1/8" spade bit.
5. Place each bottom beam clamp so the slotted hole aligns with the 5/16" diameter hole on the bottom of the beam. Secure using four 2" wood screws per clamp, as indicated in Fig. 8. **NOTE:** Refer to the guides on pages 10 & 11, Figures 6 for proper placement of bottom beam clamps and beam covers.
6. Choose the location of the swings and Iron Man Rings. Insert nylon bushing swing hangers in the corresponding holes and secure using a washer and loc nut (Fig. 9). Place a beam cover over the top of the counterbore and secure using four 2" wood screws as shown in Fig. 9.



**Fig. 10**

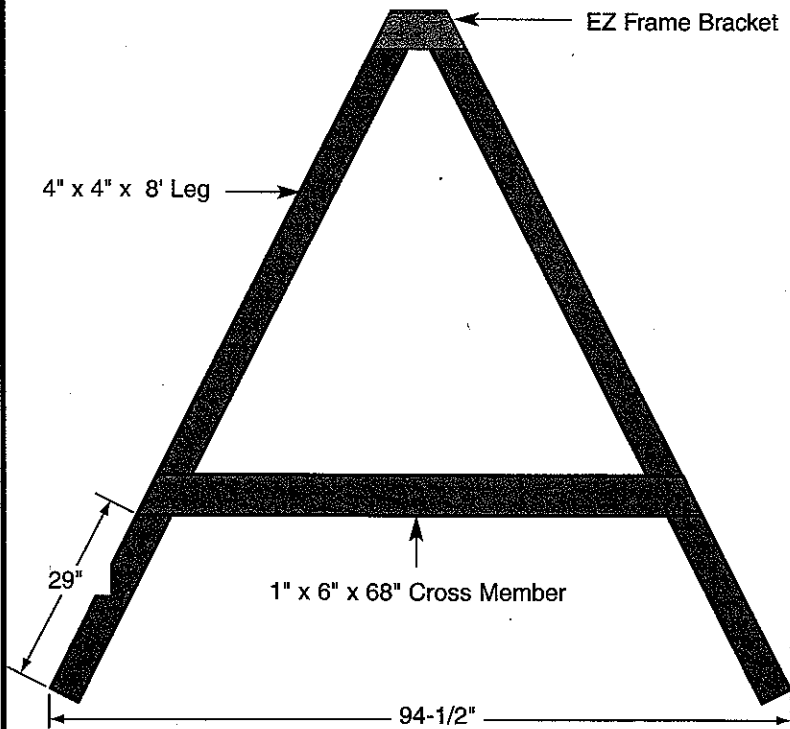


Align the edges of the 4" x 4" legs with the edges of EZ Frame Bracket

## D. A-Frame Assembly

1. Measure the 4" x 4" x 8' legs to insure they are the same length. Adjust if necessary.
2. Lay two 4" x 4" x 8' legs on a flat surface with the ends together to form a "V". Place an EZ Frame bracket at the "V" and align edges of the 4" x 4" legs with edges of the EZ Frame bracket (Fig. 10).
3. Before securing the EZ Frame bracket, measure the base of the A-Frame from the outermost point of each 4" x 4" leg (Fig. 11). This dimension should be approximately 94-1/2".
4. Secure the EZ Frame Bracket to the 4" x 4" using eight 3" wood screws per bracket. Be careful to maintain the alignment of the bracket to the edges of the 4" x 4"s.
5. Place the 1" x 6" x 68" cross member on the A-Frame assembly. The bottom edge of the cross member should be approx. 29" from the bottom of the outside edge of the 4" x 4" (Fig. 11). **NOTE:** Cross member should be flush with the outside edge of the 4" x 4" legs. Attach the 1" x 6" x 68" cross member to the 3" wood screws per joint (8 per board).
6. Turn the A-Frame over and add an EZ Frame Bracket to the other side. **NOTE:** No miter cut is required.

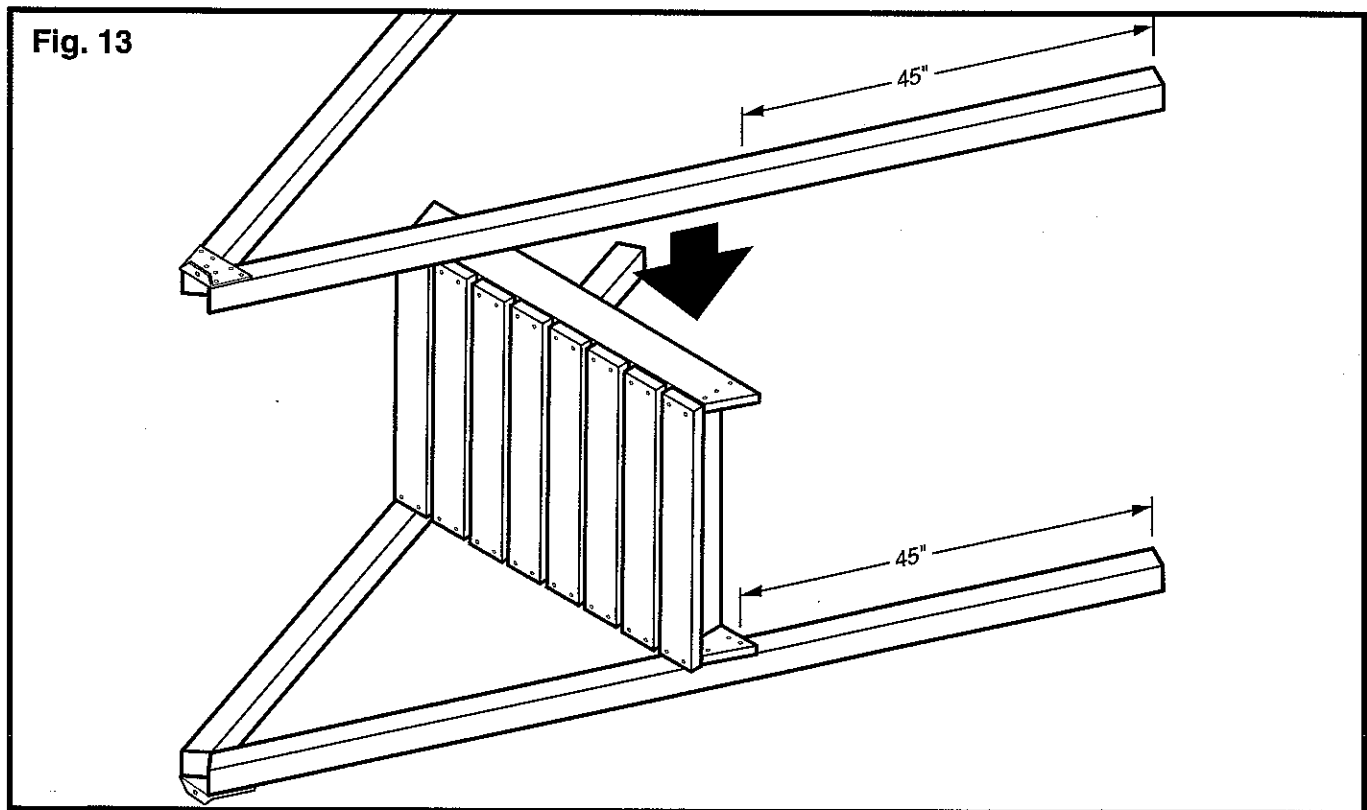
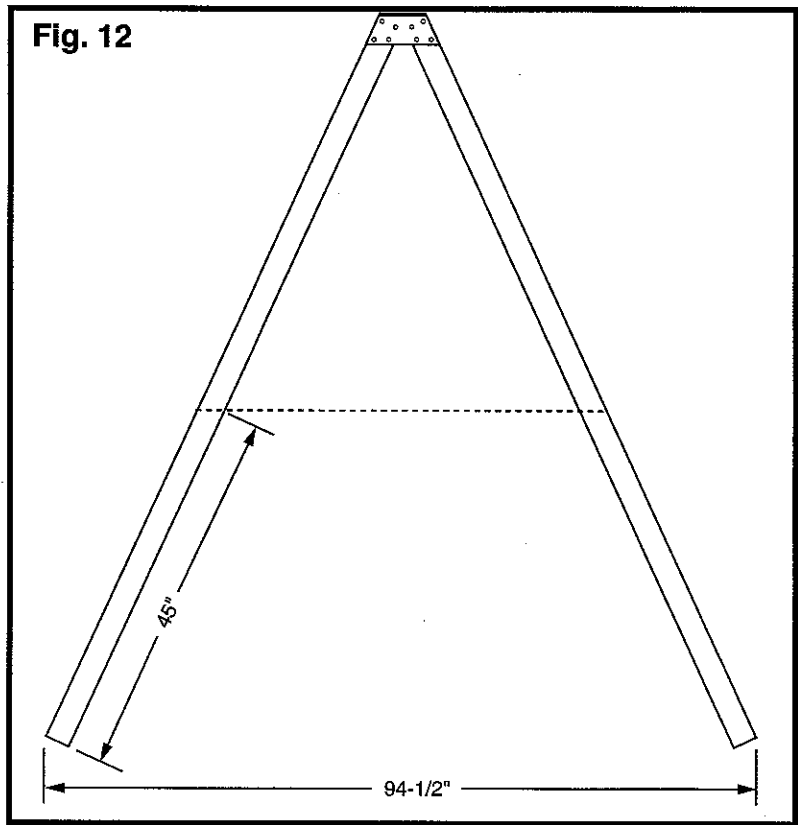
**Fig. 11**



# Assembly Instructions

## E. Deck & Frame Assembly

1. Using the remaining 4" x 4" x 8' lumber, construct two frames following steps 1-4 & 6 on page 13.
2. Lay one A-Frame flat on the ground. Measure the base of the frame from the outermost points. The legs should be approximately 94-1/2" apart.
3. Measure and mark the location of the deck assembly bottom as indicated in Fig. 12. The bottom of the deck assembly should be approximately 45" from the bottom of the *inside* of each frame leg (Fig. 12 & 13).
4. Place the deck assembly on top of the frame. Line up the bottom of the assembly with the 45" marks on each leg. Center the assembly on the frame and attach each side using four 3" wood screws per joint (Fig. 13).



## E. Deck & Frame Assembly (cont.)

5. Lift the deck and frame assembly and secure the second A-Frame to the structure using four 3" wood screws per joint (Fig. 14).
6. Following dimensions in Fig. 15, attach two 1" x 6" x 33-1/2" boards to one side of the deck assembly using four 3" wood screws per joint.
7. Attach three 2" x 4" x 33-1/2" steps to the opposite side of the deck assembly as indicated in Fig. 15. Secure in the same manner as above using three 3" wood screws per joint.

**NOTE:** Slides must be attached to the side of the deck assembly containing the 1" x 6" boards.

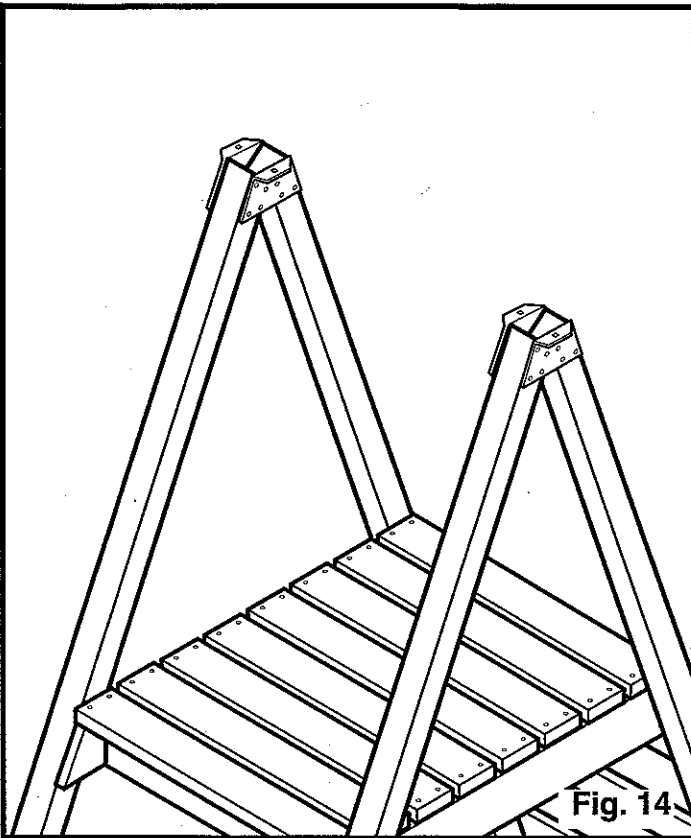
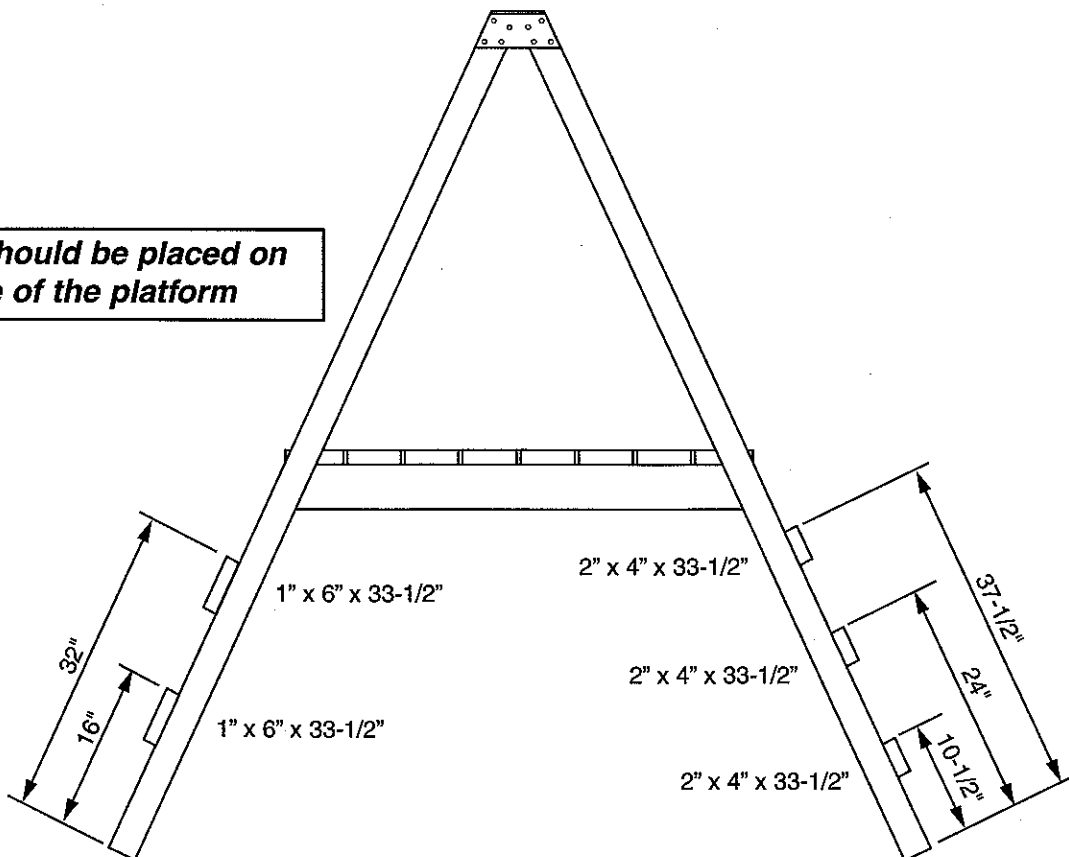


Fig. 14

Fig. 15

**Slides should be placed on this side of the platform**



of at least  
ach the

n EZ Frame  
correspon-  
10 & 11 for  
olt through  
racket and  
e beam.

nd loc nut  
the top of  
four 2" wood  
It may be  
ough the

side, secure  
rod screw  
ig. 17).  
r the correct  
l attach to

upright in its  
ppropriate  
ie assembly  
1 beam to  
ge bolt and  
Secure  
rod screw  
ig. 18).

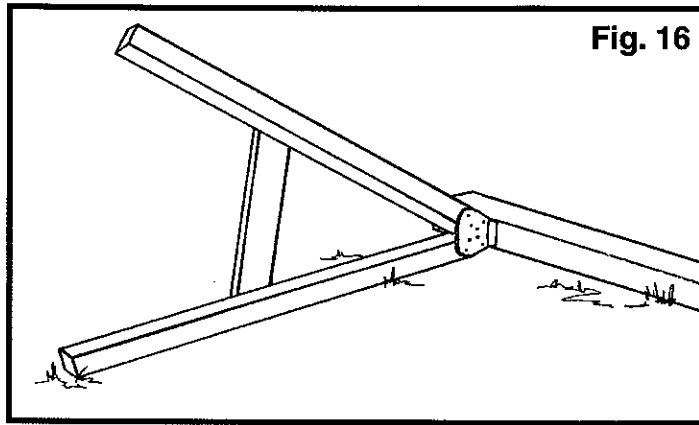


Fig. 16

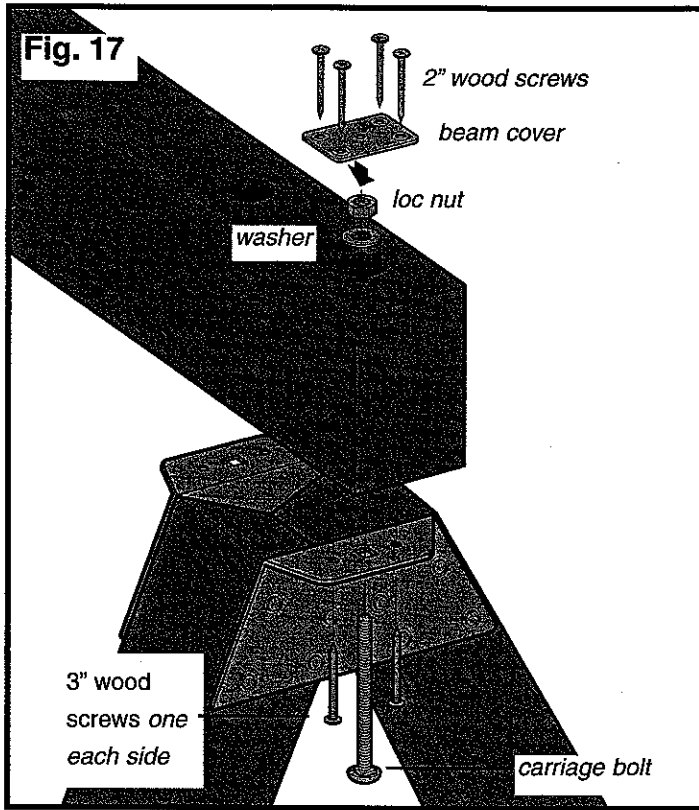


Fig. 17

Fig. 18

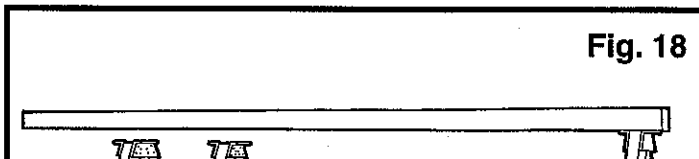


Fig. 20

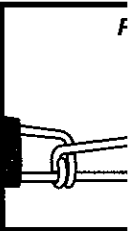
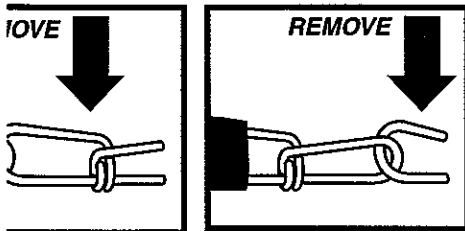
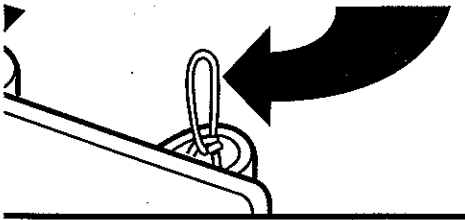


Fig. 21

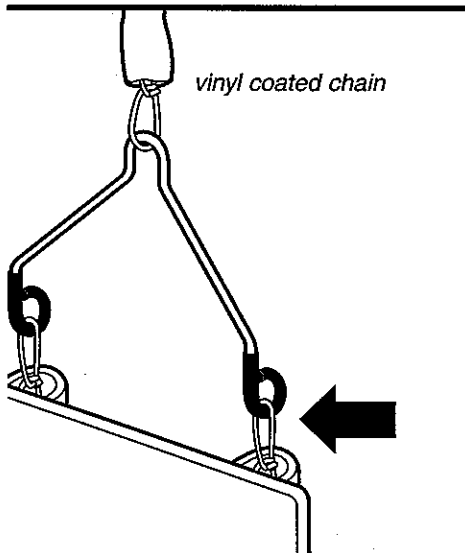
harness

**Fig. 19**

Insert chains through swing to expose one link at each end



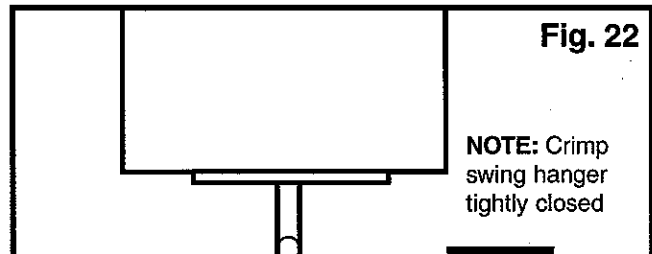
**NEVER** hang a swing seat by a partial link of chain! Remove and discard partial links.



## G. Final Assembly

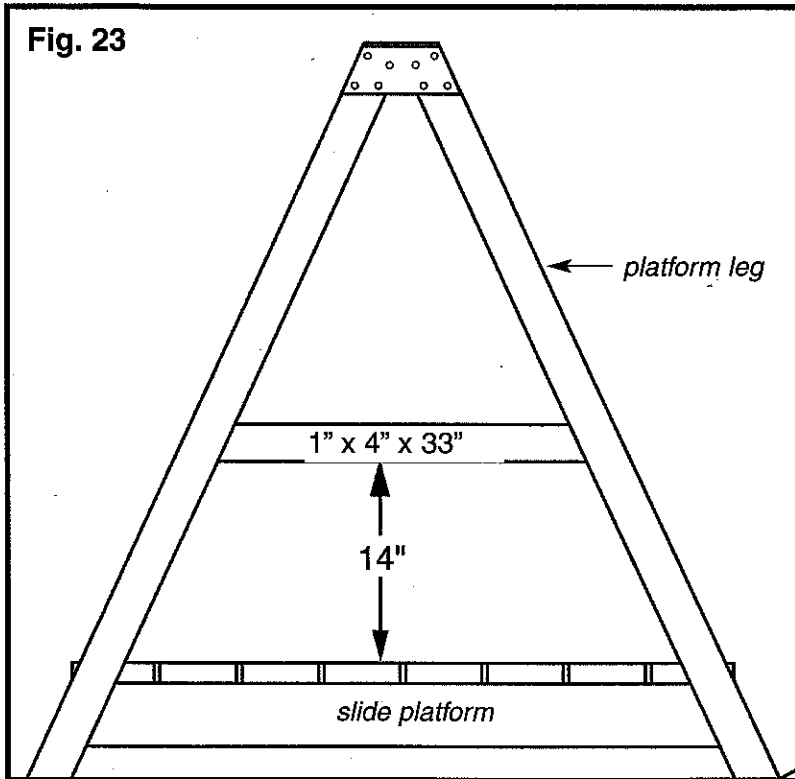
1. Hold the swing seat vertically and insert uncoated chains through the channels on the bottom of the swing seat. **NOTE:** A coat hanger may be used to help pull chain through the swing seat. One full link should show at each end of the seat (Fig. 19).
2. Remove the vinyl chain coating to expose one **FULL LINK** at each end of the covered chains. Remove any partial links (Fig. 20). **NOTE:** Seat height can be adjusted in the same manner.
3. Place one covered chain onto each harness. (Fig. 21). Crimp harness end closed. **CAUTION:** It is important that you crimp harness ends completely closed before using (see Fig. 21). Place end of harness with hooks on a hard surface and force hooks closed with a hammer or squeeze closed with a pliers until parts are touching. **WARNING:** Open hooks can cause deep cuts.
4. Hang the chains from the nylon bushing swing hangers. Crimp the hook opening closed with a pliers to secure the chains to the swing hangers (Fig. 22). Make sure all connections are tightly crimped and secure before using swing seat.
5. Position **Name Plate** in a prominent location and attach using two 1/2" panhead screws.

**Fig. 22**



**NOTE:** Crimp swing hanger tightly closed

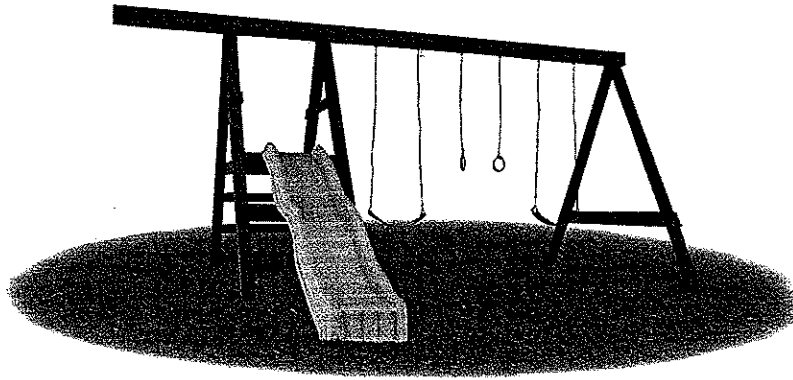
Fig. 23



## H. Guardrail Assembly

1. Position the 1" x 4" x 33" rails to the inside of the slide platform legs. **NOTE:** The edges of the rails should be flush with the legs of the slide platform and there must be a minimum of 14" between the bottom of rail and the top of the platform (Fig. 23).
2. Attach the rail to the slide platform using four 3" wood screws per joint.

# Lumber Required - Bill of Materials



## **PIONEER - ULTIMATE/PREMIER**

Qty.	Description
1	1" x 4" x 8'
4	1" x 6" x 8'
3	2" x 4" x 8'
1	2" x 4" x 10'
6	4" x 4" x 8'
1	4" x 6" x 16' OR (2) 2" x 6" x 16'

**Swing-N-Slide®**

*We Put Kids First.*

1212 Barberry Drive, Janesville, Wisconsin 53545

1-800-888-1232

[www.swing-n-slide.com](http://www.swing-n-slide.com)