

NE 5007

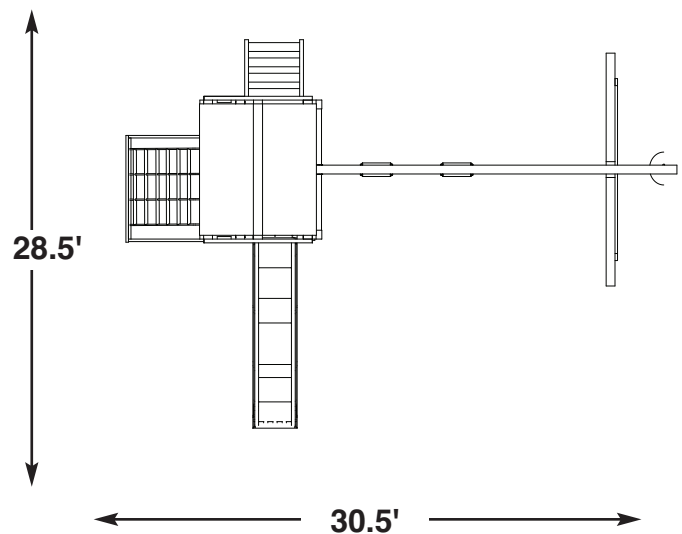
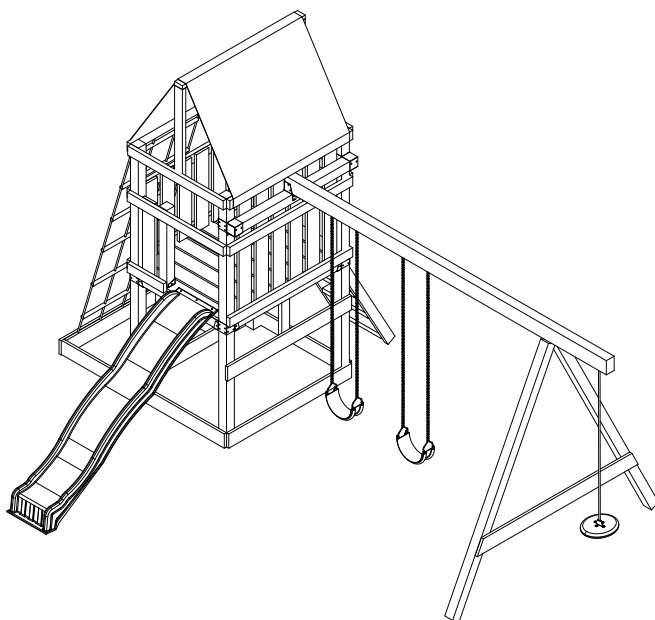
**Swing-N-Slide®**

We Put Kids First.

# Alpine™

PROJECT 611 & 612

check out <http://www.swing-n-slide.com/planupdates.htm>  
for updates to these instructions.



**No. of Children:** Up to 11  
**Min. Use Zone:** 28-1/2' x 30-1/2'  
**Set Dim.** 13'W x 18-1/2'L x 11'H  
**Est. Building Time:** 4-8 hr.

**Rapid  
Loc™**  
System

## ASSEMBLY INSTRUCTIONS

Swing-N-Slide • 1212 Barberrry Drive • Janesville, Wisconsin 53545  
Visit our web site at: [www.swing-n-slide.com](http://www.swing-n-slide.com) or call us at 1-800-888-1232



We Put Kids First.

## Safety Checklist for Swing-N-Slide Accessories

Observing the following statements and warnings reduces the likelihood of serious or fatal injury

### Installation Safety – Have You:

- Consulted the assembly instructions supplied with your particular model?
- Noted this accessory is to be used only on Swing•N•Slide approved designs? (Do not alter its design or add/remove components.)
- Made sure all hardware is tightened securely? (Supplied bolt covers must also be fastened securely.)
- Using a hacksaw, cut off all protruding threaded ends of bolts and other fasteners and remove any sharp edges with a metal file as needed?
- Placed the equipment on level ground, not less than six feet (1.8 meters) from any structure or obstruction such as a fence, garage, house, overhanging branches, laundry lines, or electrical wires?
- Made sure home playground equipment is not installed over concrete, asphalt, packed earth or any other hard surface? (A fall onto a hard surface can result in serious injury to the equipment user.)
- Verified that suspended climbing ropes, chain, or cable are secured at both ends?
- Consulted in assembly instructions of your particular model for minimum use zones?
- Followed all anchoring and shock absorbing surfacing requirements later in this guide as they apply?
- Made sure not to allow children to use equipment until it is properly installed?

### Operating Safety – Have You:

- Determined that on-site adult supervision is provided for children of all ages?
- Warned children the following before allowing them to use the equipment?
  - Not to walk close to, in front of, behind or between moving items.
  - Not to twist swing or any other accessory chains or ropes or loop them over the top support bar since this will reduce the strength of chain or rope.
  - Not to swing empty seats or other accessories.
  - Be sure to sit in the center of the swing seat and other accessories with full weight on the seat.
  - Not to attach items to the playground equipment that are not specifically designed for use with the equipment such as but not limited to, jump ropes, clotheslines, pet leashes, cables and chain. They may cause a strangulation hazard.
  - Not to use equipment in a manner other than intended.
  - Not to get off equipment while it is in motion.
  - Not to climb on the equipment when it is wet.
- Determined that only one child per planned occupant seat should be allowed on this set at one time.
- Determined children must be dressed appropriately for play. Avoid clothing with draw strings and loose fitting clothes which could become entangled or snagged on equipment.
- Determined that suspended climbing ropes, chain, or cable cannot be looped back upon itself.
- Read and understood the following warning regarding the use of two and four passenger lawn swings?

**Warning:** Lawn Swings are designed for use by children over two years of age. Use by children under the age of two can result in entrapment between the seats and back areas. **Never** place children in a rearward facing position or with legs between the seat and backrest because the child's body may pass through the opening causing entrapment of the child's head.

### Safety Maintenance – Have You Determined to:

- Check all nuts and bolts twice monthly during the usage season for tightness and tighten as required? (It is particularly important that this procedure be followed at the beginning of each season.)
- To prevent the deterioration of materials, remove plastic swing seats and other plastic accessories and take indoors? (Do not use when the temperature drops below 0° F.)
- Oil all metallic moving parts monthly during usage period?
- Check all hardware and equipment for sharp edges twice monthly during usage season? (Replace when necessary. It is especially important to do this at the beginning of each new season.)
- Check swing seats, chains, ropes and cables monthly during usage season for evidence of deterioration? Severe rusting or excessive wear, especially near the top swing hanger or at the seat connection are evidence of chain deterioration. Cracks in the protective plastic sleeve or seat itself are also signs of deterioration. If any of these conditions exist, call 1-800-888-1232 to order replacement accessories.

### Disposal Instructions

When the equipment is taken out of service, it must be disassembled and disposed of in such a way that no unreasonable hazards will exist at the time the set is discarded.

**Important! Additional Safety Instructions for all Swing-N-Slide Playground Equipment.  
Save this instruction sheet in the event the manufacturer needs to be contacted.**

**SAFETY INSTRUCTIONS**  
**INSTRUCCIONES DE SEGURIDAD**  
**INSTRUCTIONS CONCERNANT LA SÉCURITÉ**

**IMPORTANT!** *This product is intended for single family residential use only and not intended for use in any public setting. Placement in any public setting constitutes a misuse of this product.*

**REQUIRED SAFETY INSTALLATION INSTRUCTIONS**

• **Once the unit is completely assembled and before children are allowed to play on it, proper shock-absorbing surfacing material must be installed.** This may be accomplished by using loose-fill materials at a sufficient depth. The Consumer Product Safety Commission "Handbook for Public Playground Safety" lists the following materials and required depths that are sufficient for home/residential application. For fall height protection up to 9 ft. (2.742m) [recommended for Swing•N•Slide kits]:

LOOSE FILL MATERIAL	REQUIRED DEPTH ' INCH (mm) (UNCOMPRESSED)
Wood Mulch	9" (229mm)
Double Shredded Bark Mulch	9" (229mm)
Uniform Wood Chips	12" (305mm)
Fine Sand	12" (305mm)
Fine Gravel	12" (305mm)

<sup>1</sup> These depths were derived from the CPSC Handbook. Swing•N•Slide has not done independent tests to determine these required depths.

When properly installed, shock absorbing material will completely cover the horizontal baseboards on climbing units. This protective surfacing must extend a **minimum** of 6 ft. (1.828m) in all directions from the perimeter of the equipment or from the outermost edges of any component. For example, a slide extending beyond the platform must have protective surfacing at least 6 ft. (1.828m) out from both sides as well as the end. For swings, the protective surface must extend **at least 14 ft.** out from **both** the back and front of the swing when the swing is in its rest position.

**¡IMPORTANTE!** *Este producto es para ser usado por una sola familia en uso residencial y no para usarse en ningún lugar público. El ubicarlo en cualquier lugar público constituye mal uso de este producto.*

**INSTRUCCIONES REQUERIDAS PARA LA INSTALACIÓN CON SEGURIDAD**

• **Una vez que se haya armado la unidad completamente y antes que se permita a los niños que la usen, se debe instalar un material que amortigüe para la superficie del suelo.** Esto se puede conseguir usando materiales que llenen flojamente a una profundidad suficiente. El "Folleto para la Seguridad Pública en Campos de Recreo" de la Comisión de Seguridad de Producto al Cliente, permite los siguientes materiales y las profundidades requeridas que sean lo suficiente para una aplicación en situaciones de residencias. Para protección contra caídas se necesita hasta 9 pies (2,742m) [recomendadas para los conjuntos Swing•N•Slide]:

MATERIAL DE APLICACIÓN FLOJA	PROFUNDIDAD REQUERIDA' PULGADA mm (SIN SER COMPRIMIDA)
Viruta de madera	9" (229mm)
Viruta trizada de corteza de árbol	9" (229mm)
Trozos pequeños uniformes de madera	12" (305mm)
Arena fina	12" (305mm)
Grava fina	12" (305mm)

<sup>1</sup> Estas profundidades fueron derivadas del folleto CPSC. Swing•N•Slide no ha hecho pruebas independientes para determinar las requeridas profundidades.

Cuando se instale apropiadamente, el material que amortigüe completamente cubrirá la base horizontal de las unidades de trepar. Esta superficie protectora debe extenderse un **mínimo** de 6 pies (1,828m) en todas las direcciones desde el perímetro del equipo, o de los bordes más salientes de cualquier componente. Por ejemplo, un tobogán que se extiende más allá de la plataforma debe tener una superficie protectora de por lo menos 6 pies (1,828m) más allá de ambos lados, al igual que desde el extremo. Para columpios, la superficie protectora debe extenderse **por lo menos 14 pies** más allá de **ambos**, de la parte de atrás, y la parte frontal del columpio, cuando el columpio esté en una posición neutra.

**IMPORTANT!** *Ce produit est conçu uniquement pour un usage résidentiel. Il ne saurait aucunement convenir aux installations publiques.*

**L'UTILISATION DANS UN ENDROIT PUBLIC CONSTITUE UN USAGE ABUSIF DU PRODUIT.**

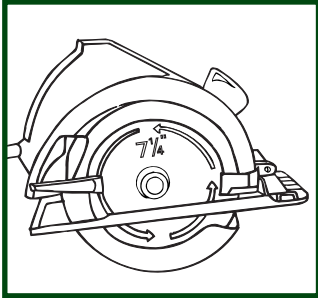
• **Lorsque l'unité est entièrement assemblée, un matériau de protection amortisseur doit être installé sur le sol avant de permettre aux enfants de s'amuser.** Des matériaux particuliers d'une épaisseur suffisante peuvent être utilisés à cette fin. Le guide américain intitulé « Handbook for Public Playground Safety » rédigé par la Consumer Product Safety Commission (CPSC) des États-Unis recommande une liste de matériaux et spécifie l'épaisseur requise pour un usage résidentiel. Protection contre les chutes d'une hauteur de 9 pieds (2,742 m) [recommandation pour les unités Swing•N•Slide] :

MATÉRIAUX PARTICULAIRES	ÉPAISSEUR RECOMMANDÉE' EN PO (mm) (NON COMPRIMÉ)
Paillis de bois	9 po (229mm)
Paillis d'écorce filamentée	9 po (229mm)
Copeaux de bois uniformes	12 po (305mm)
Sable fin	12 po (305mm)
Gravier fin	12 po (305mm)

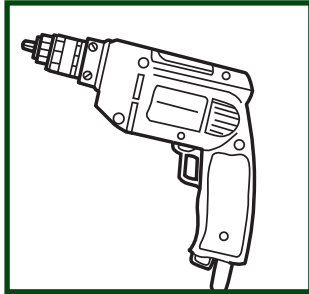
<sup>1</sup> Ces valeurs sont tirées du guide de la CPSC. Les unités Swing•N•Slide n'ont pas fait l'objet d'essais indépendants afin de déterminer l'épaisseur recommandée des matériaux.

Pour que l'installation soit adéquate, le matériau amortisseur doit recouvrir entièrement la base horizontale des unités d'escalade. Un matériau de protection doit entourer l'installation sur une surface **d'au moins 1,828 m (6 pieds)** à partir du pourtour de l'unité ou des composants les plus éloignés. Par exemple, une glissoire qui se prolonge au-delà de la plate-forme doit être pourvue d'une surface de protection d'au moins 1,828 m (6 pieds) de chaque côté ainsi qu'à l'extrémité. En ce qui concerne les balançoires, la zone de protection doit couvrir **au moins 14 pi (6 m)** autant devant que derrière la balançoire lorsque celle-ci est immobile.

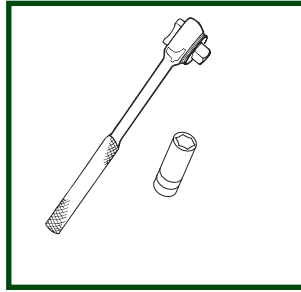
## TOOLS REQUIRED



**CIRCULAR SAW**



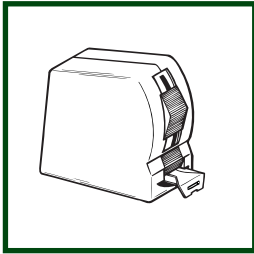
**ELECTRIC DRILL**



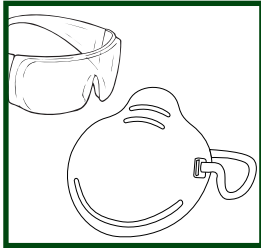
**1/2" SOCKET & WRENCH**



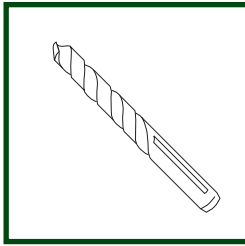
**HAMMER**



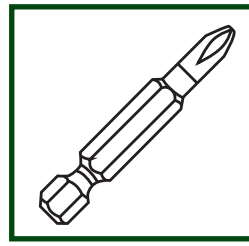
**TAPE MEASURE**



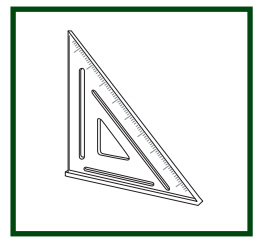
**SAFETY GLASSES  
& DUST MASK**



**3/8" DRILL BIT (6" Min.)**



**PHILLIPS BIT**



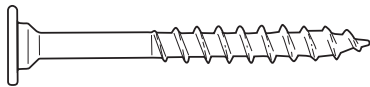
**CARPENTER'S SQUARE**



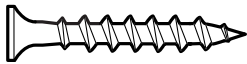
**(2) 1-3/4" panhead screws**



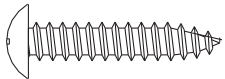
**(2) 1/2" panhead screws**



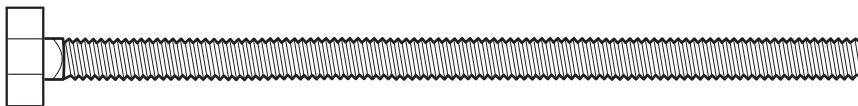
**(108) 2" lag screw**



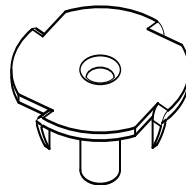
**(6) 1-1/4" screws**



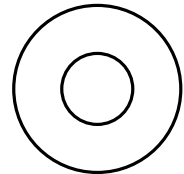
**(4) 1" Truss Screws**



**(2) 5-1/2" Bolts**



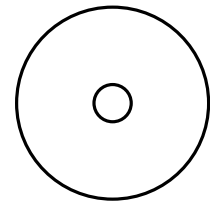
**(6) T- nuts**



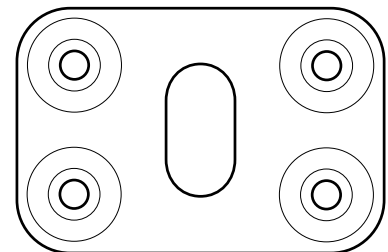
**(2) 5/16" flat washers**



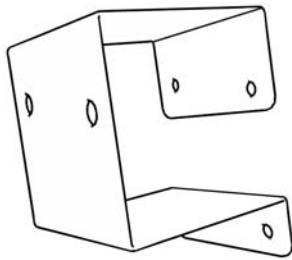
**(4) 1/4" flat washers**



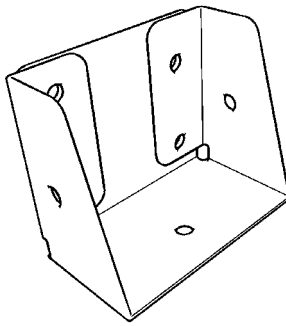
**(6) Tarp Washers**



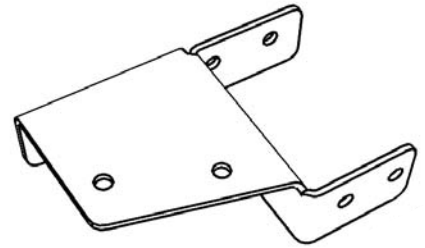
**(4) Bottom Beam Clamps  
(slotted)**



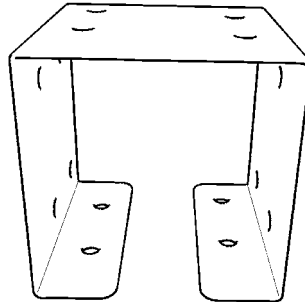
(2) Shelf-Loc



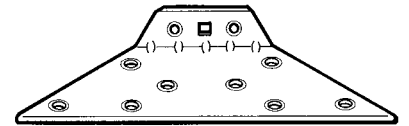
(10) Cup-Loc



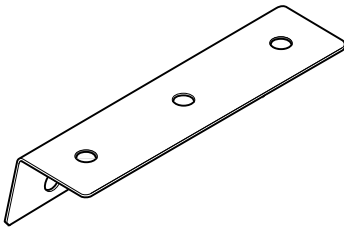
(2) Split Beam bracket



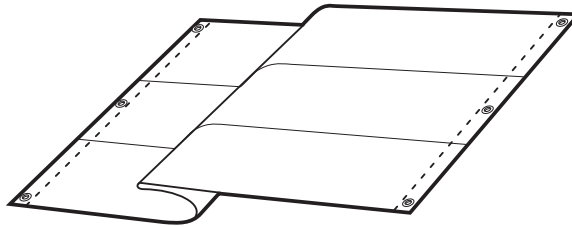
(6) Wrap-Loc



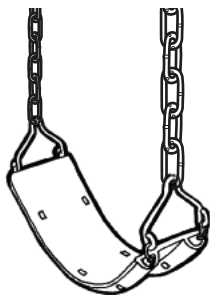
(2) EZ Frame Brackets



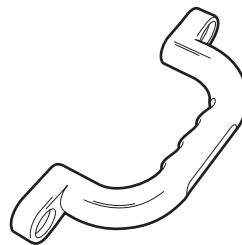
(10) Step Brackets  
Note: (5 Left, 5 Right)



(1) Multicolor Tarp



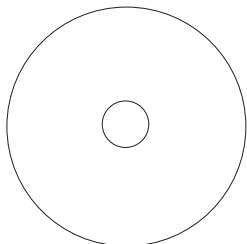
(2) Swing Seats  
weight limit: 115 lbs.



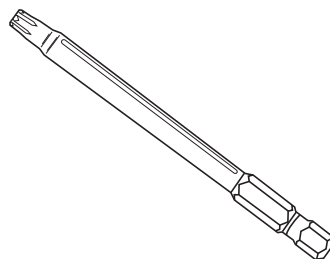
(2) Safety Handles



(4) Swing Hangers



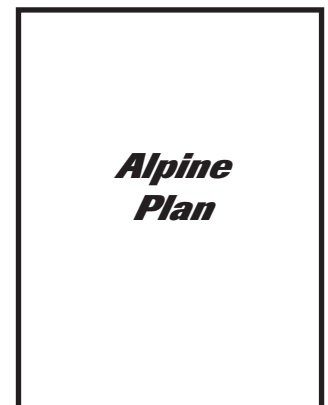
(1) Instructional DVD



(1) T30 Torx® Bit



(1) Name Plate



(1) Plan

# ALPINE

## REQUIRED HARDWARE (Not Included)

**Nail-to-screw size equivalents**  
**Equivalencias de tamaño entre clavos y tornillos**  
**Tableau de compatibilité**



1 lb. of 4D	= .8 lbs of 1.25"
1 lb. of 8D	= 1 lbs. of 2"
1 lb. of 10D	= 1 lbs. of 2.5"
1 lb. of 16D	= .75 lbs of 3"



(287) 2-1/2" screws



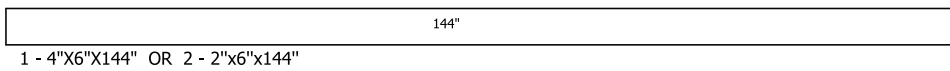
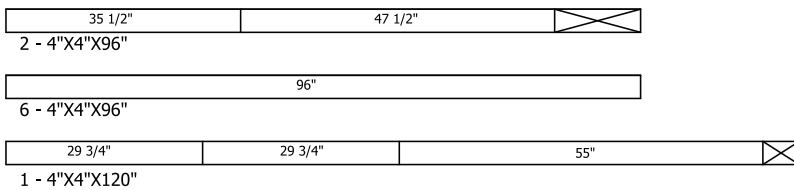
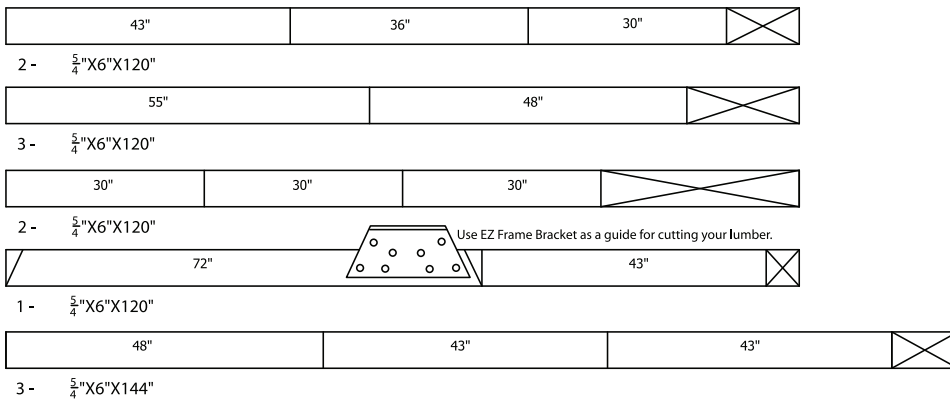
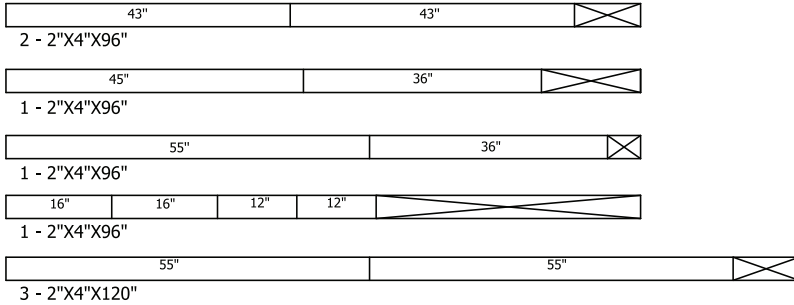
(56) 2" screws



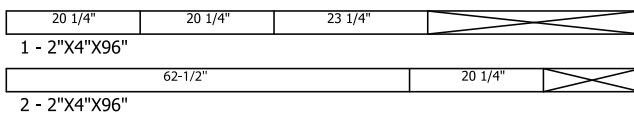
(64) 1-1/4" screws

# ALPINE

- 5 - 2"x4"x96"
- 3 - 2"x4"x120"
- 8 - 5/4"x6"x120"
- 3 - 5/4"x6"x144"
- 8 - 4"x4"x96"
- 1 - 4"x4"x120"
- 1 - 4"x6"x144"
- or
- 2 - 2"x6"x144"
- OPTIONAL LADDER
- 3 - 2"x4"x96"



## OPTIONAL LADDER



# How to select the correct fastener

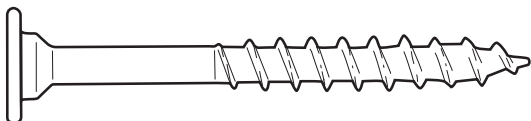
Use these 3 pictorial guides to help select the correct fastener(s) for the lumber attachment you are making. Each diagram will highlight the correct number of fasteners to use, and where to attach them.

## 5/4" x 6" to 4" x 4"



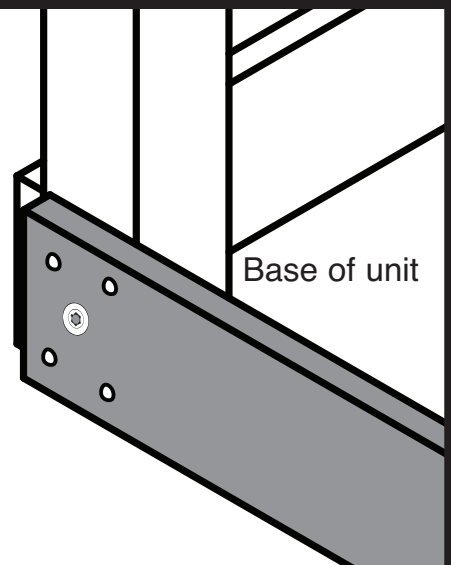
### (4) 2-1/2" screws or nails

Apply the 2-1/2" screws/nails to secure the 5/4" boards to the 4"x4" uprights as shown.



### (1) 2" lag screw

After attaching the 2 1/2" screws, apply the center (1) 2" lag screw as shown for additional support.

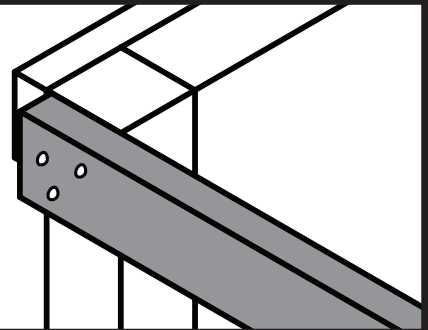


## 2" x 4" to 4" x 4"



### (3) 2-1/2" screws or nails

Apply 2 1/2" screws/nails to the 2"x4" boards when attaching to 4"x4" uprights.

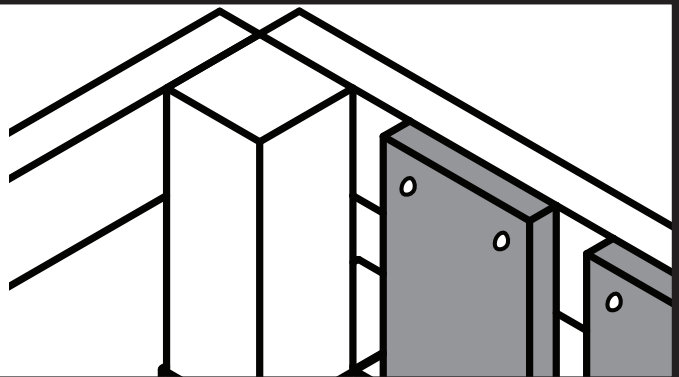


## 5/4" x 6" to 2" x 4"



### (2) 2" screws or nails

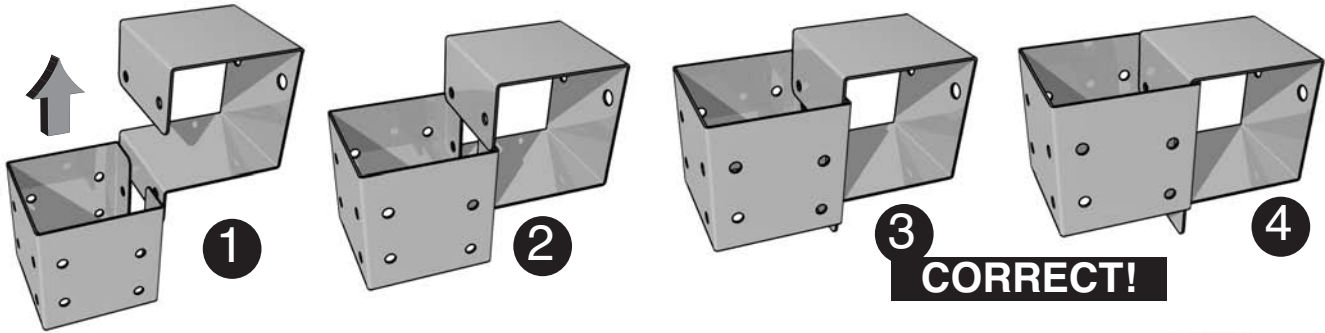
Use 2" screws/nails when mounting 5/4" boards to 2"x4" boards.



# Understanding how the Bracket System Works

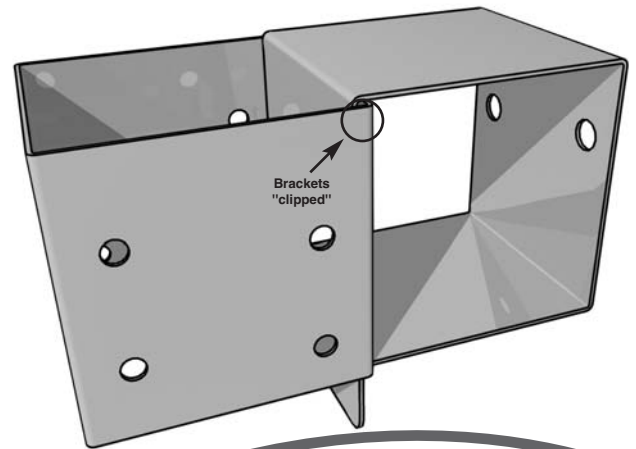
Shelf-Loc Bracket

Example of a Shelf-Loc bracket connection.

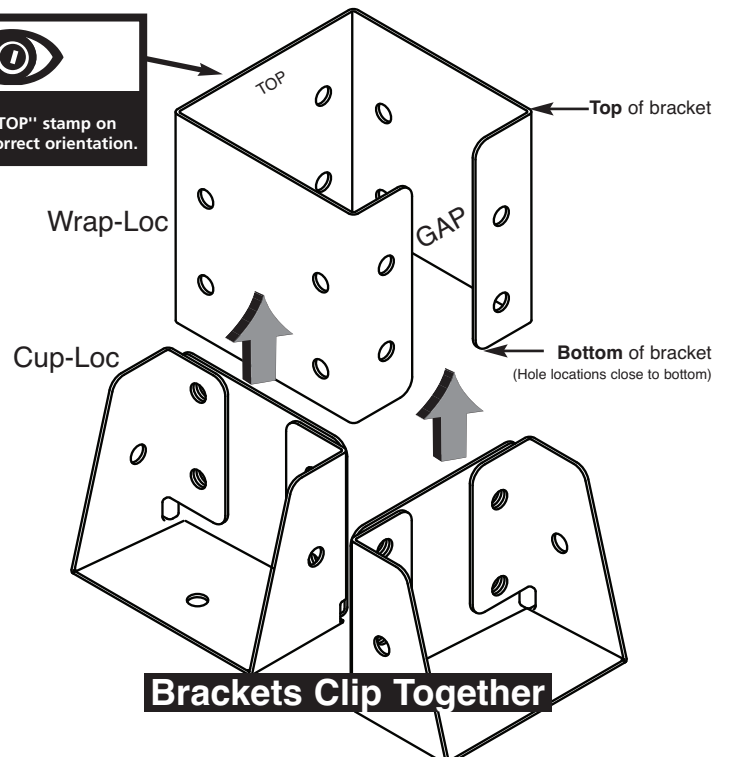


Wrap-Loc

**WRONG!**



Example of a Cup-Loc bracket connection.



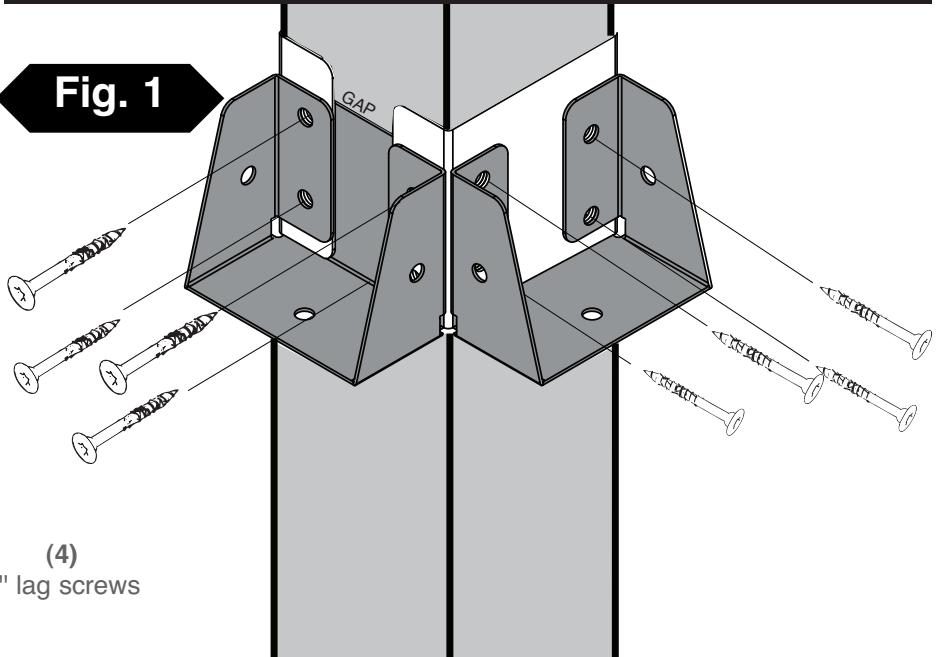
## Introduction to the Bracket system

1. **ALWAYS** Use 2" lag screws on all brackets.
2. Brackets "clip" to each other. **NEVER** position in a non-interlocking position.

4" x 4" x 96"

**REMEMBER: Brackets are inter-locking. Cup-loc will clip and secure into the Wrap-Loc as shown below.**

**Fig. 1**



Repeat 4x

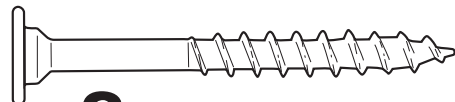
(4)  
2" lag screws

43-1/4"

**A. Frame Construction**

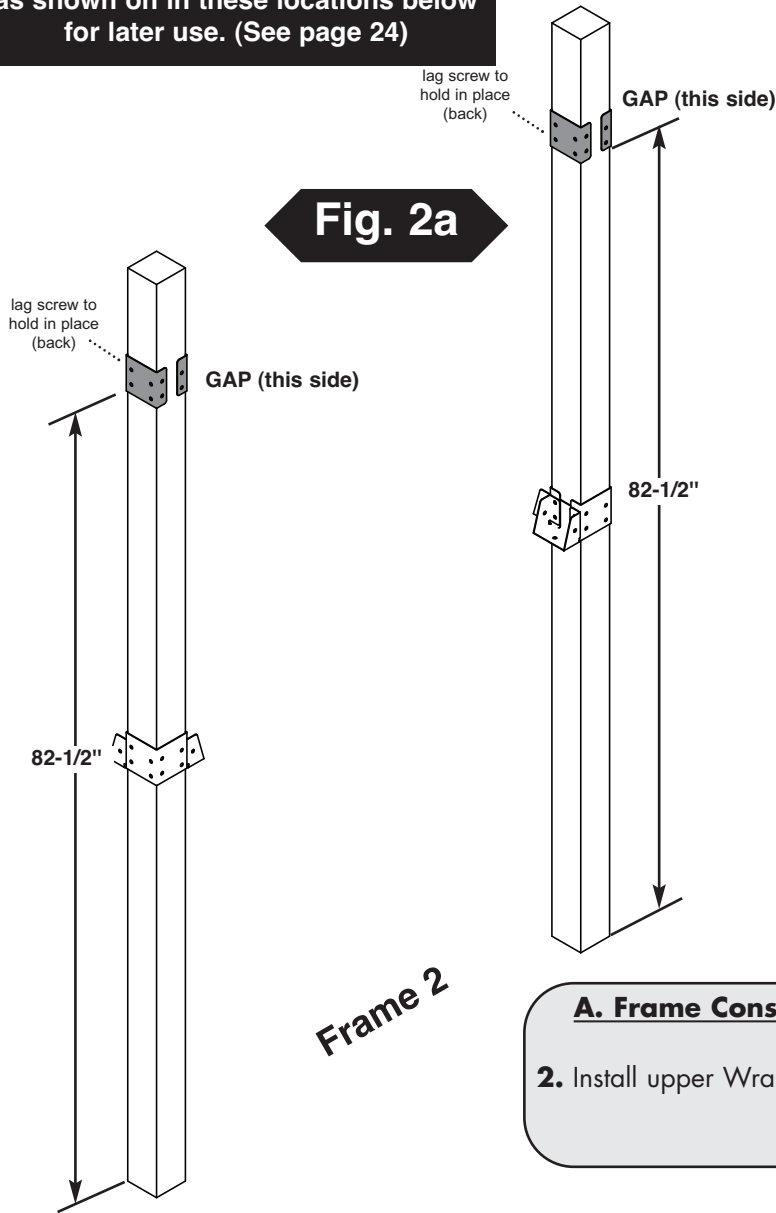
1. Measure and position brackets on (4) 4" x 4" x 96" as shown in (Fig.1).

2" Lag screw



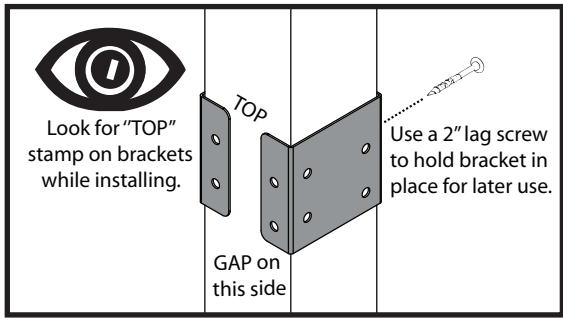
**X 8** (4 each bracket)

Wrap-Loc opening must be positioned as shown on in these locations below for later use. (See page 24)



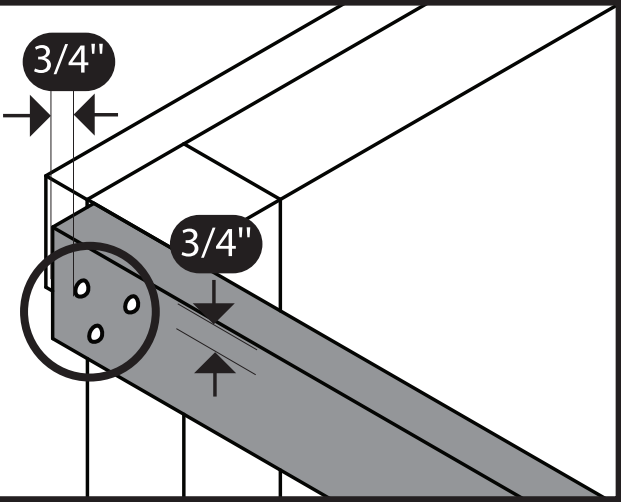
**Fig. 2a**

**Fig. 2**



**A. Frame Construction (cont.)**  
 2. Install upper Wrap-Brackets to Frame 2 as shown in **(Fig. 2a)**

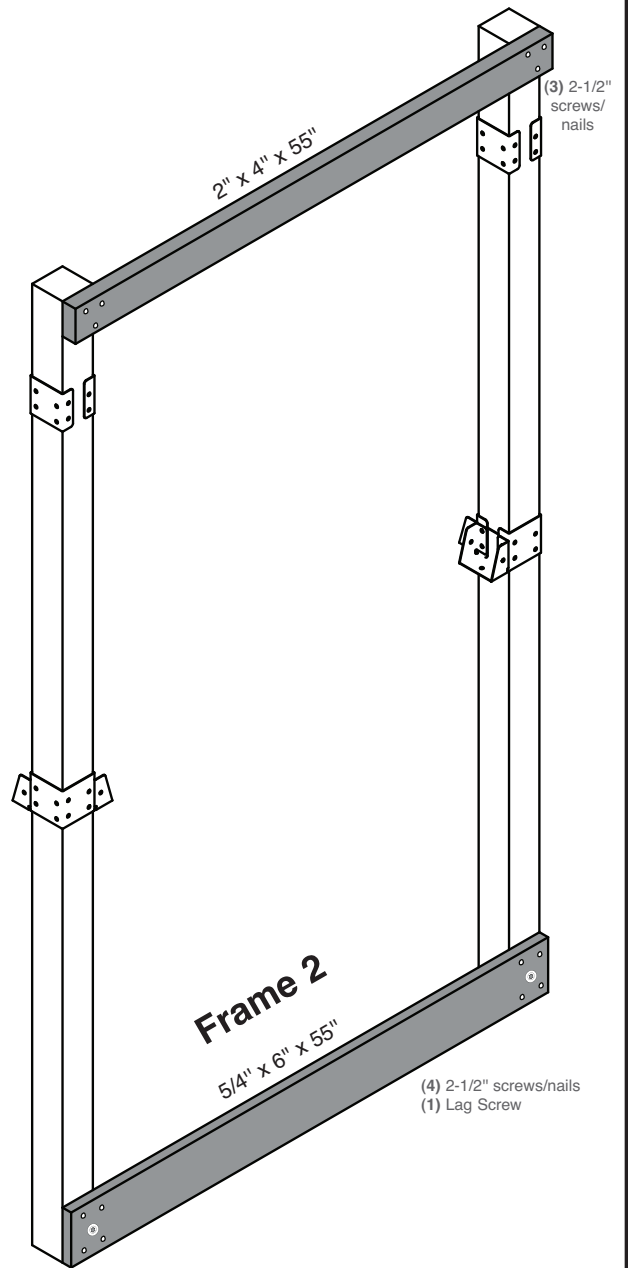
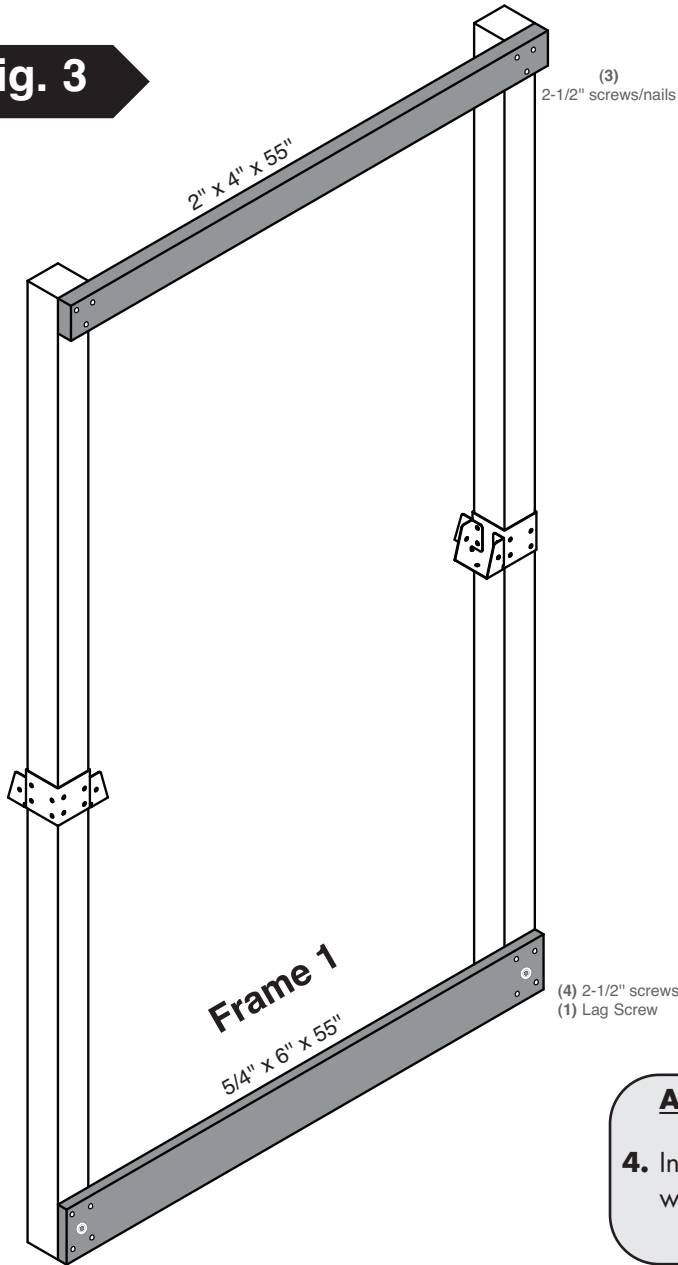
**•WARNING•**  
 Avoid splitting your lumber by offsetting your screws or nails at least 3/4" from the edge.



**A. Frame Construction (cont.)**

**3.** Install upper 2" x 4" boards. Edges are to be flush with 4" x 4"s.

**Fig. 3**



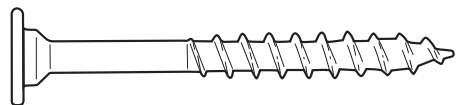
**A. Frame Construction (cont.)**

**4.** Install lower 5/4" boards. Edges are to be flush with 4" x 4"s.

**2-1/2" or 10D screw/nail**



**2" Lag screw**



**Fig. 4**

(3) 2-1/2" screws/nails

2" x 4" x 43"

2" x 4" x 43"

**A. Frame Construction (cont.)**

5. Attach upper 2" x 4" as shown in **(Fig. 4)**. Edges are to be flush with 4" x 4"s.

Frame 1

5/4" x 6" x 43"

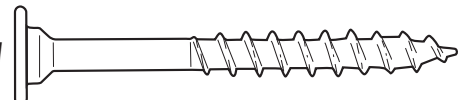
(4) 2-1/2" screws/nails  
(1) Lag Screw

5/4" x 6" x 43"

**A. Frame Construction (cont.)**

6. Attach lower 5/4" boards as shown in **(Fig. 4)**. Edges are to be flush with 4" x 4"s.

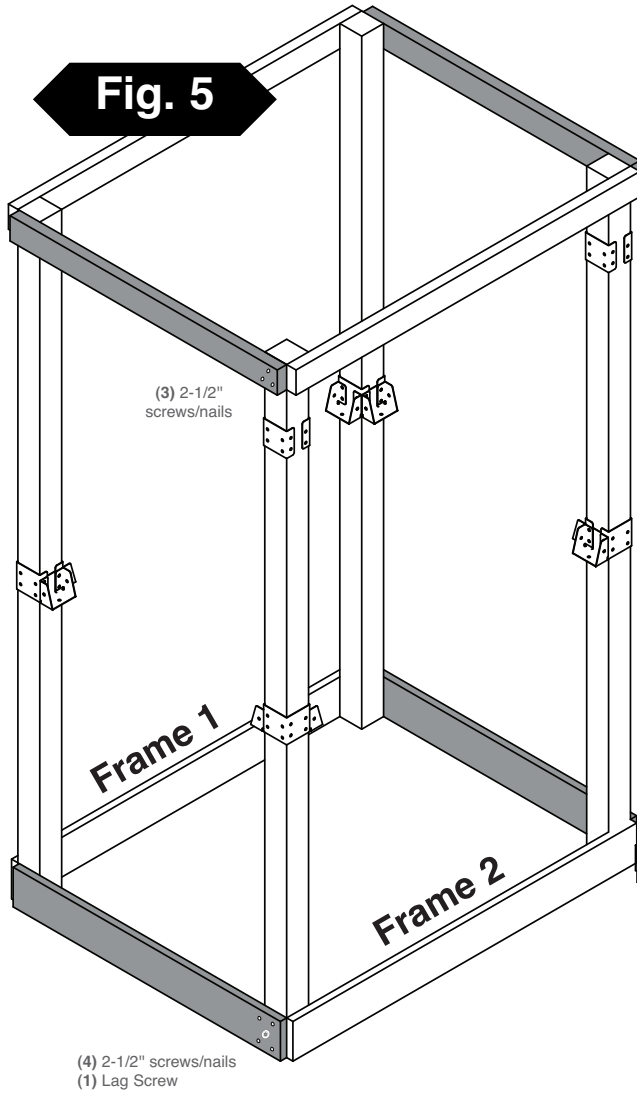
2" Lag screw



2-1/2" or 10D screw/nail

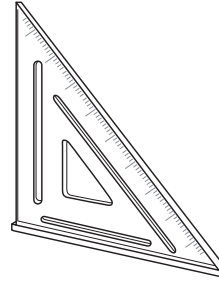


**Fig. 5**



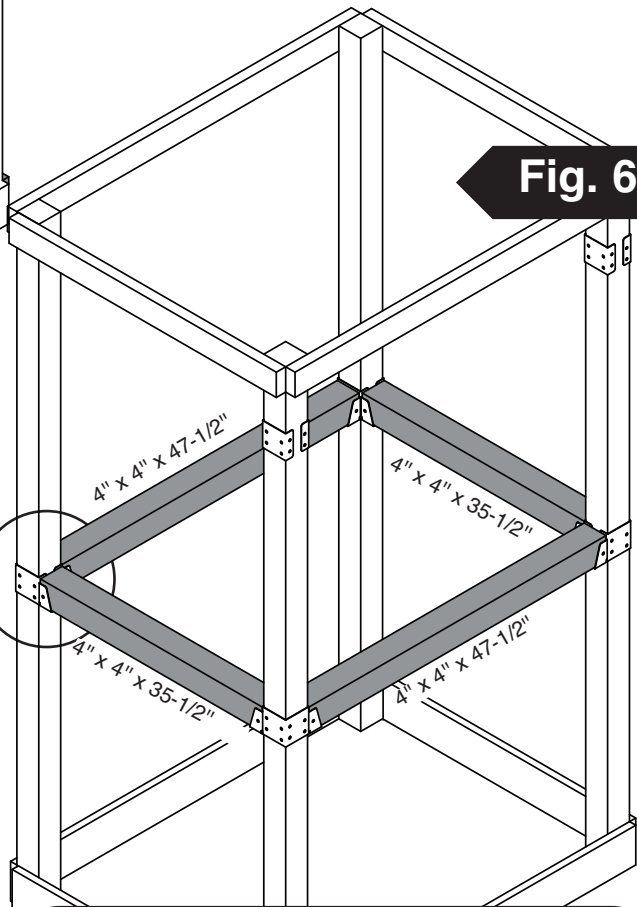
**A. Frame Construction (cont.)**

- 7. Secure upper 2" x 4" and lower 5/4" boards to **Frame 2** as shown in **(Fig. 5)**. Edges are to be flush with 4" x 4"s.

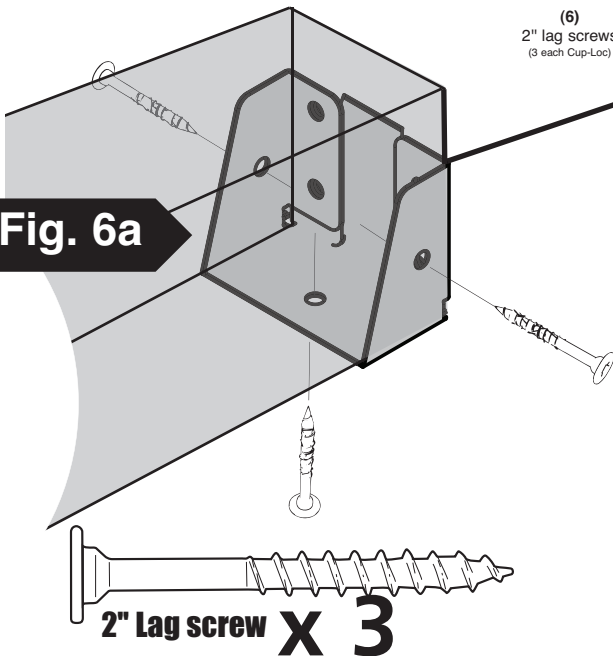


**Double check to make sure structure is square**

**Fig. 6**

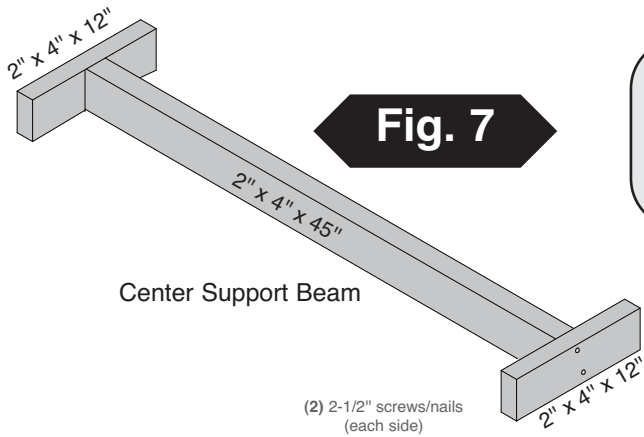


**Fig. 6a**



**A. Frame Construction (cont.)**

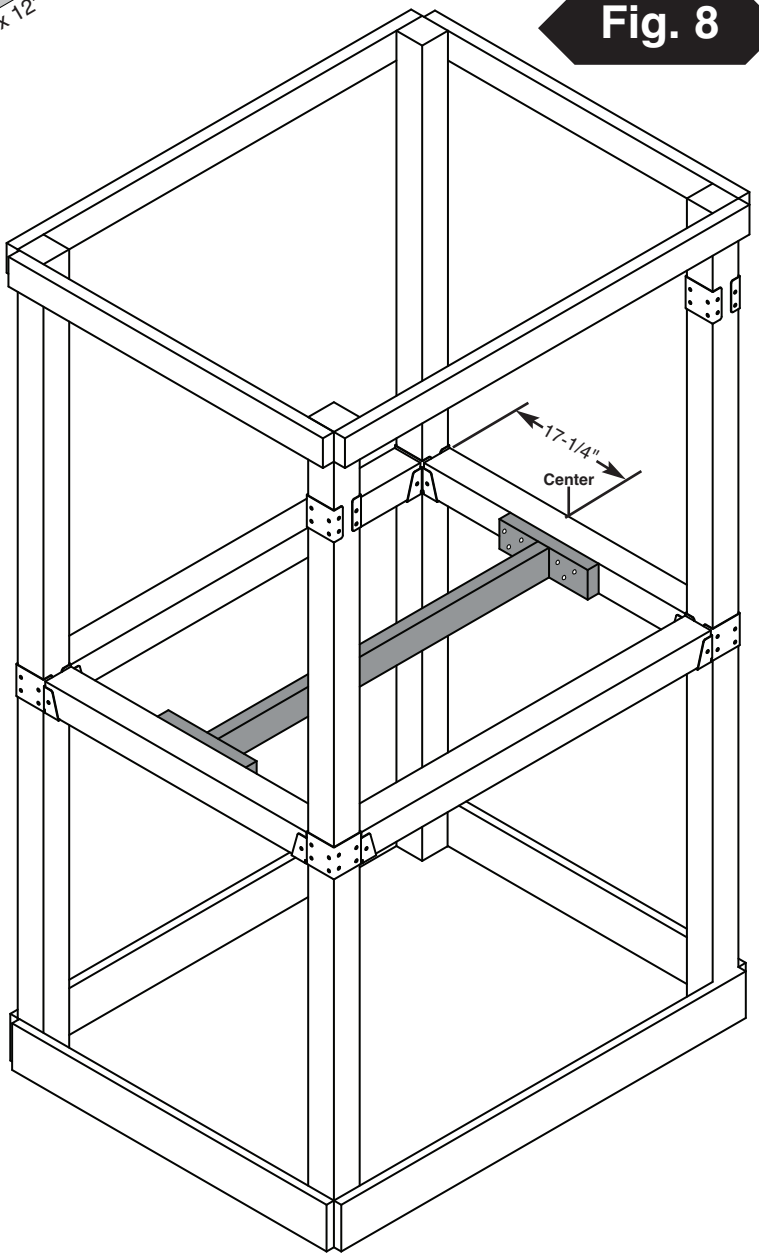
- 8. Install 4" x 4" beams as shown in **(Fig. 6)**.
- 9. Install lag screws at each corner location as shown in **(Fig. 6a)**



**Fig. 7**

**B. Center Support Beam**

1. Construct center support beam following the instructions in **(Fig. 7)**.



**Fig. 8**

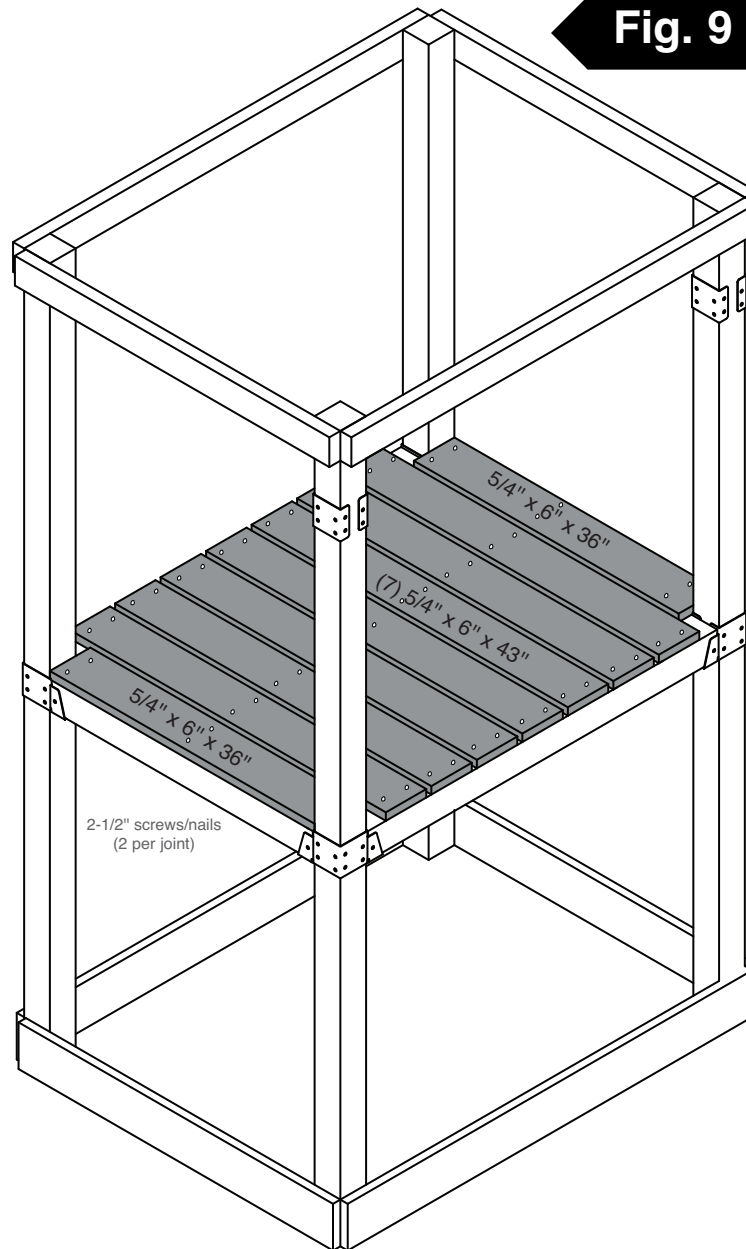
(6)  
2-1/2" screws/nails  
(each side)

**B. Center Support Beam cont.**

2. Secure center support beam to structure as shown in **(Fig. 8)**.



**Fig. 9**



**2-1/2" or 10D  
screw/nail**

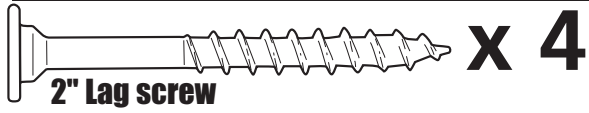
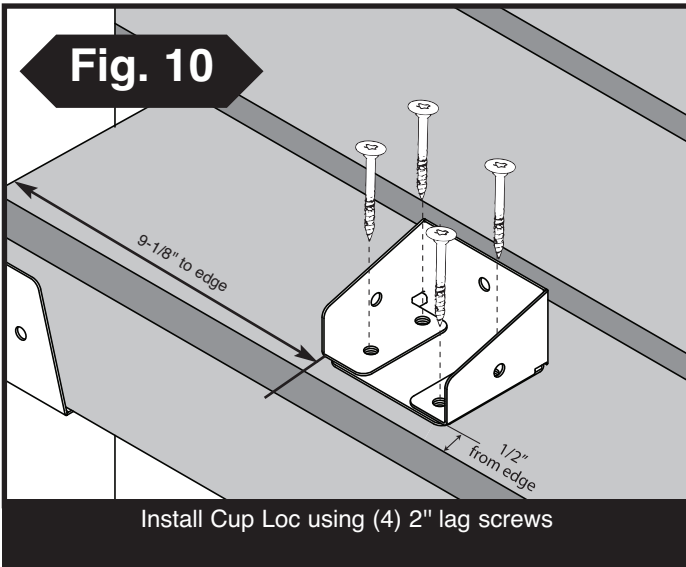


### **C. Install Deck Boards**

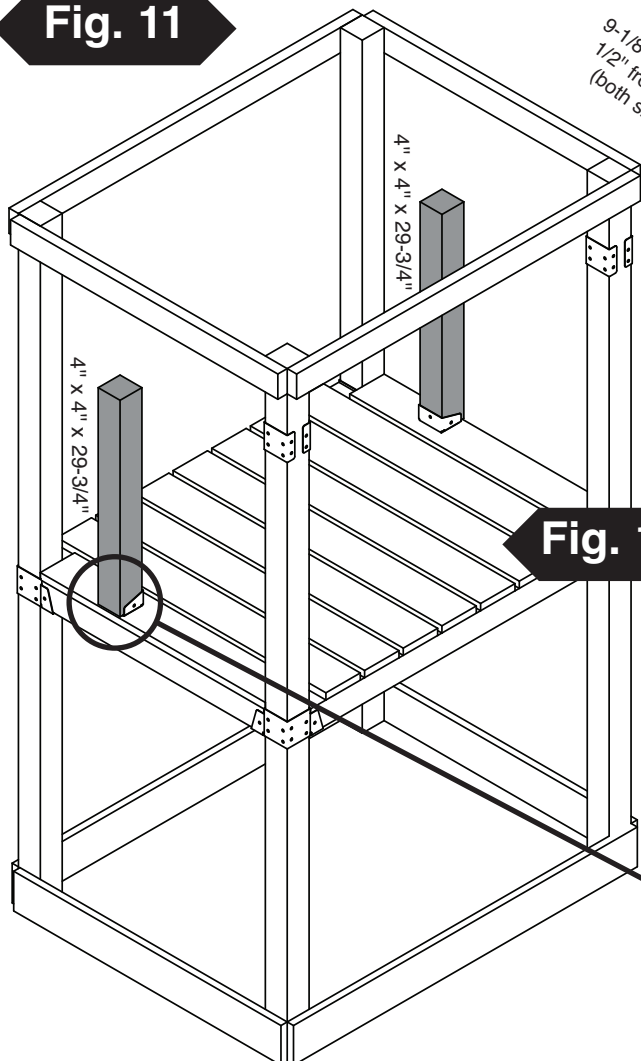
1. Install  $5/4"$  deck boards to structure as shown (**Fig. 9**).
2. Use two  $2-1/2"$  screws/nails at center and each end of deck boards.

**Note:** Screws/Nails at center will attach to center support.

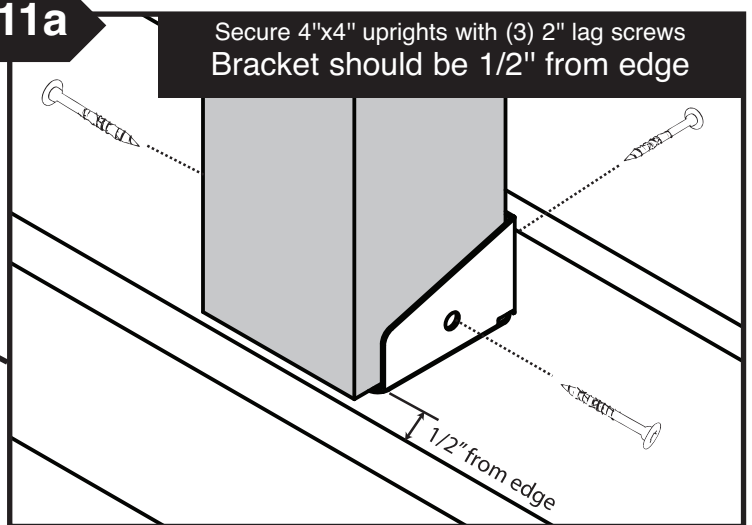
**Fig. 10**



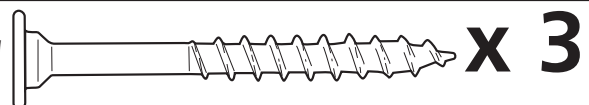
**Fig. 11**



**Fig. 11a**

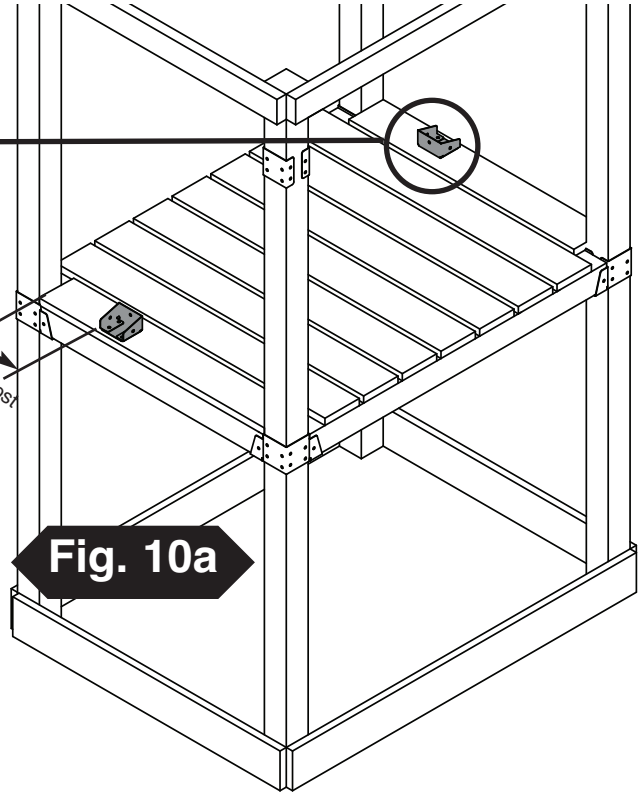


2" Lag screw



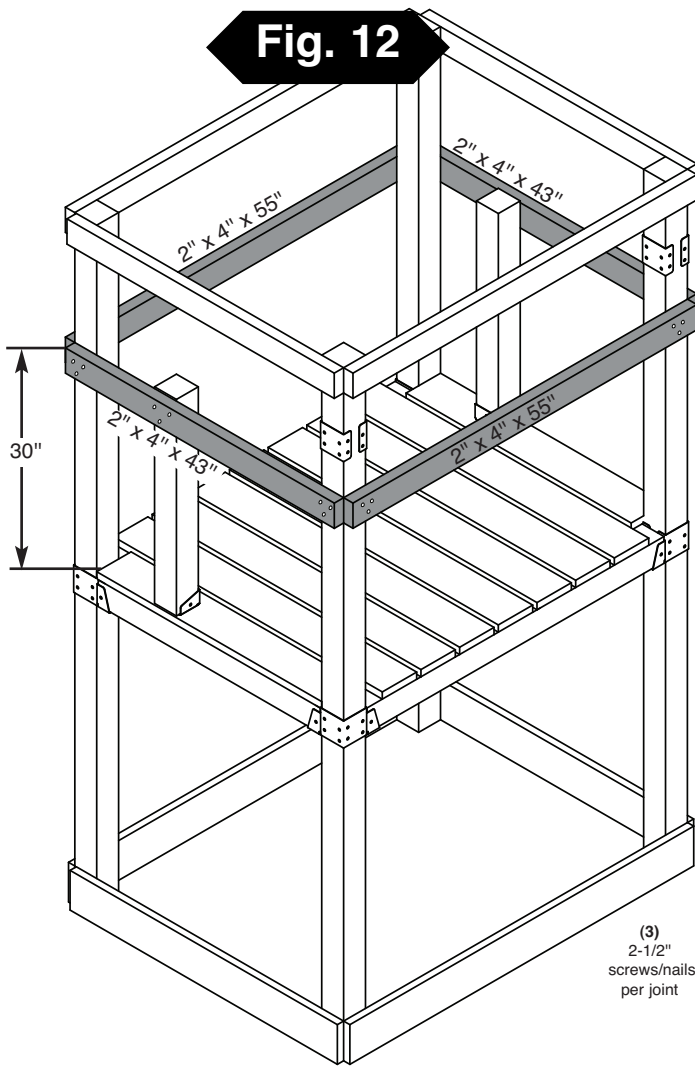
**D. Install 4x4 Rail Supports**

1. Install (2) Cup Loc as shown in **(Fig.10)**, **(Fig 10a)**.
2. Install (2) 4" x 4" x 29-3/4" as shown in **(Fig. 11)** and **(Fig. 11a)**.



**Fig. 10a**

**Fig. 12**



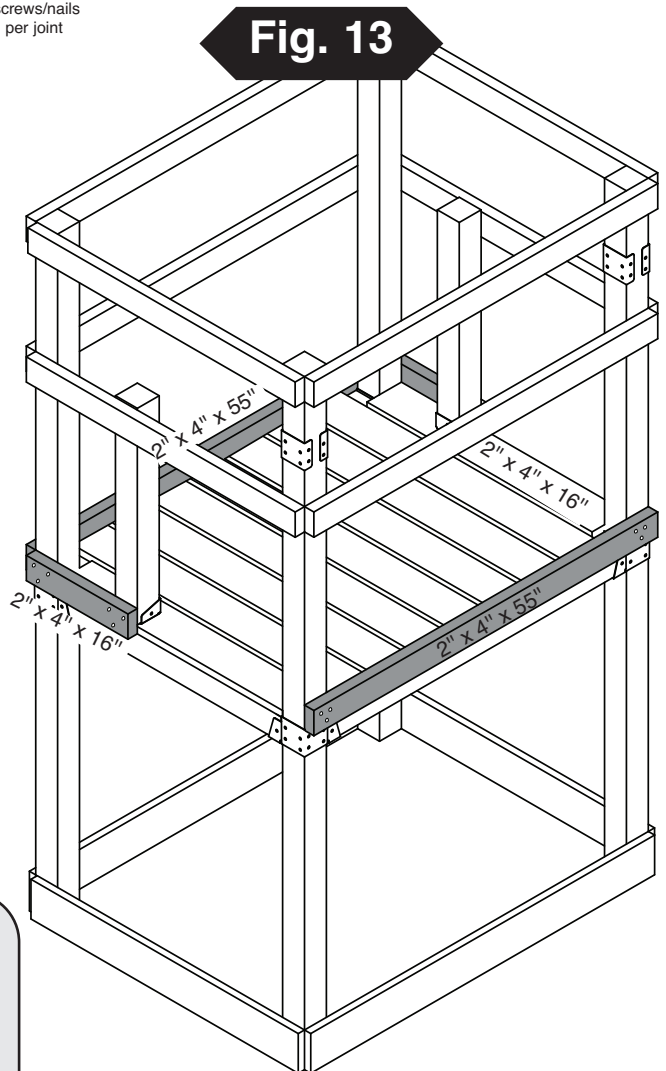
(3)  
2-1/2"  
screws/nails  
per joint

(3)  
2-1/2"  
screws/nails  
per joint

### E. Install Upper Rail Boards

1. Install upper 2" x 4" rail boards as shown in **(Fig 12)**. 30" above the deck as shown in **(Fig 12)**.  
Note: Measure from Top of 5/4" board to top of 2" x 4" rail board.

**Fig. 13**



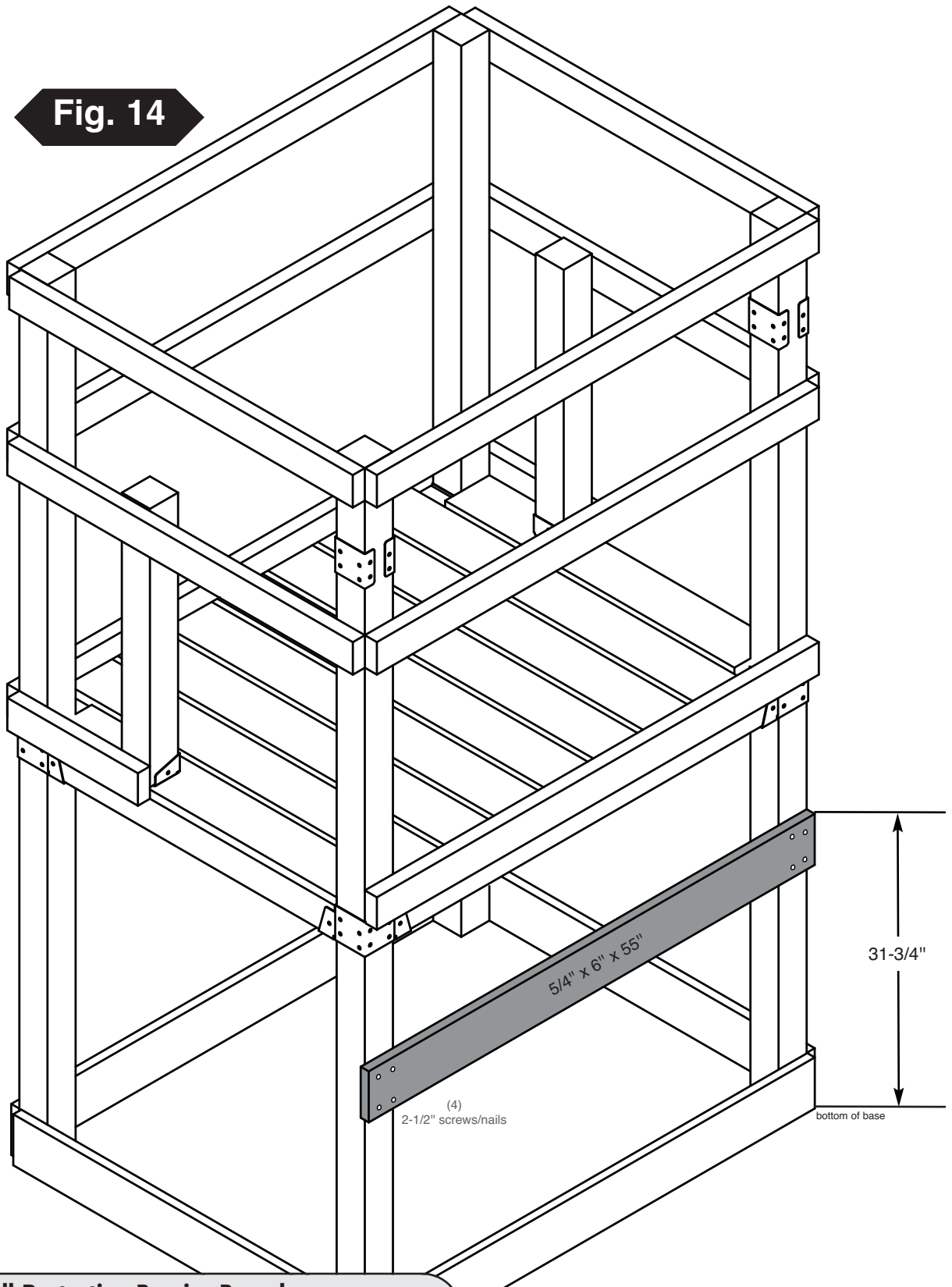
### F. Install Lower Rail Boards

1. Install lower 2" x 4" rail boards as shown in **(Fig 13)**.  
Flush with the top of 4" x 4" deck supports.



**2-1/2" or 10D  
screw/nail**

**Fig. 14**

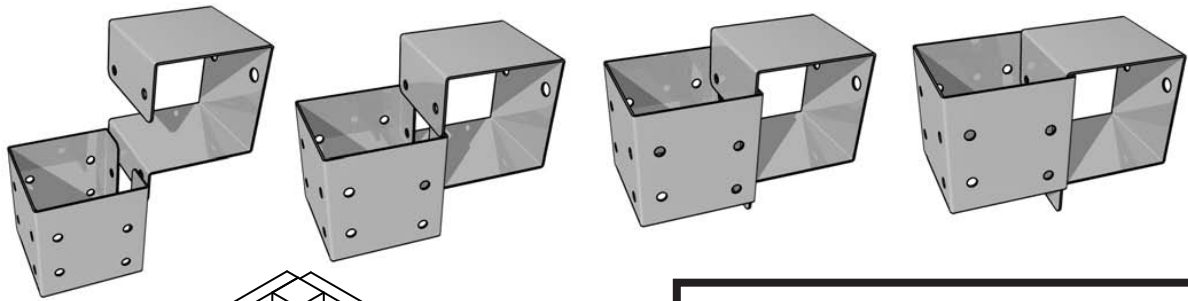


**G. Install Protective Barrier Board**

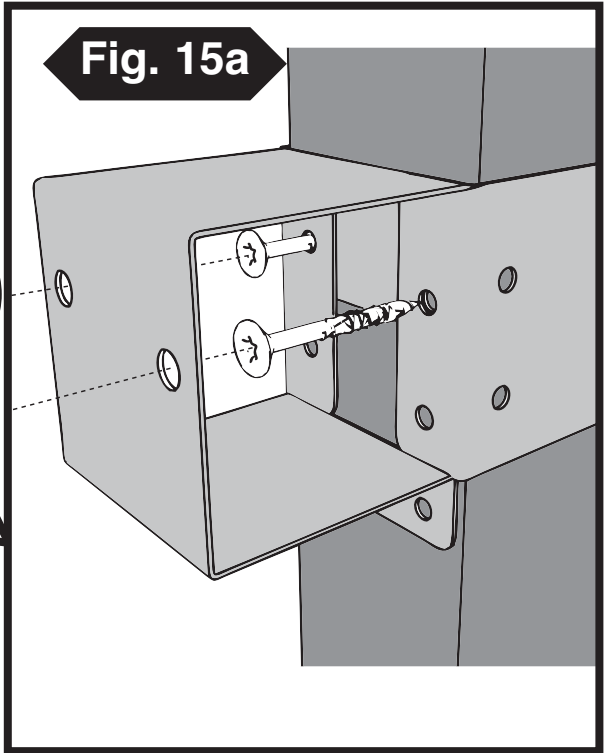
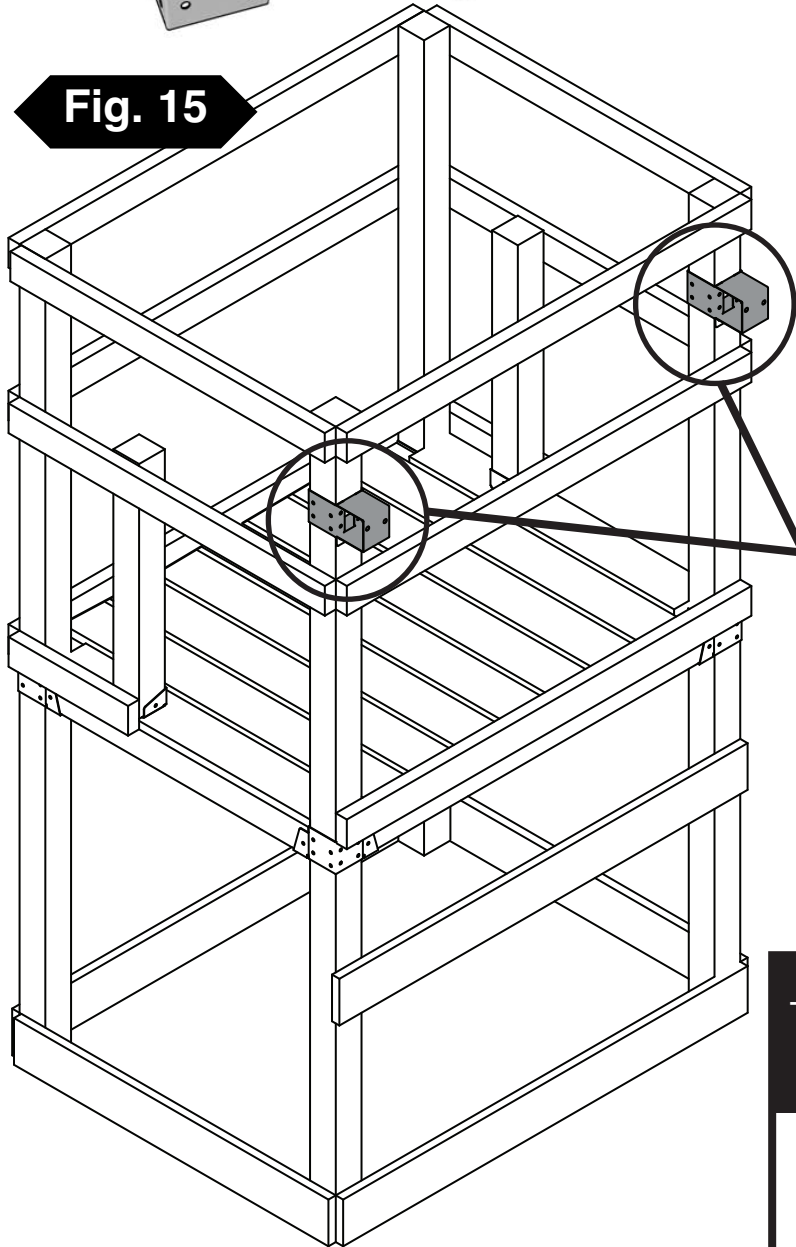
1. Secure protective 5/4" barrier board as shown in (Fig 14).



**2-1/2" or 10D  
screw/nail**



**Fig. 15**

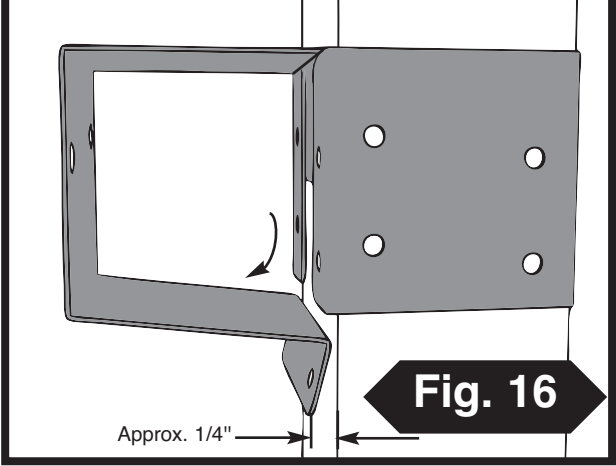


**Fig. 15a**



**2" Lag screw X 2**

Tip: Flex brackets to make installation of 4" x 4" easier



**Fig. 16**

**H. Install Accessory Brackets**

1. Secure Shelf-Loc brackets onto Wrap-Loc as shown in (Fig. 15), (Fig. 15a), (Fig. 16).

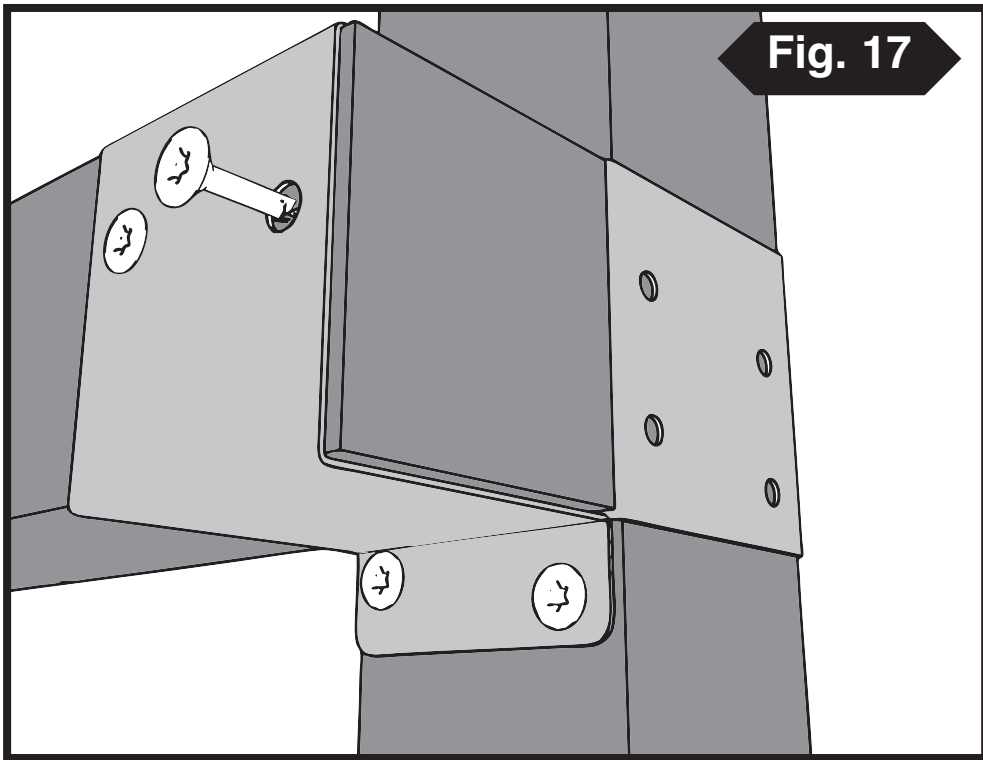


Fig. 17



2" Lag screw X 4

**I. Install Accessory 4x4**

1. Work 4" x 4" into brackets as shown in (Fig. 17).
2. Secure brackets (Fig. 17a).

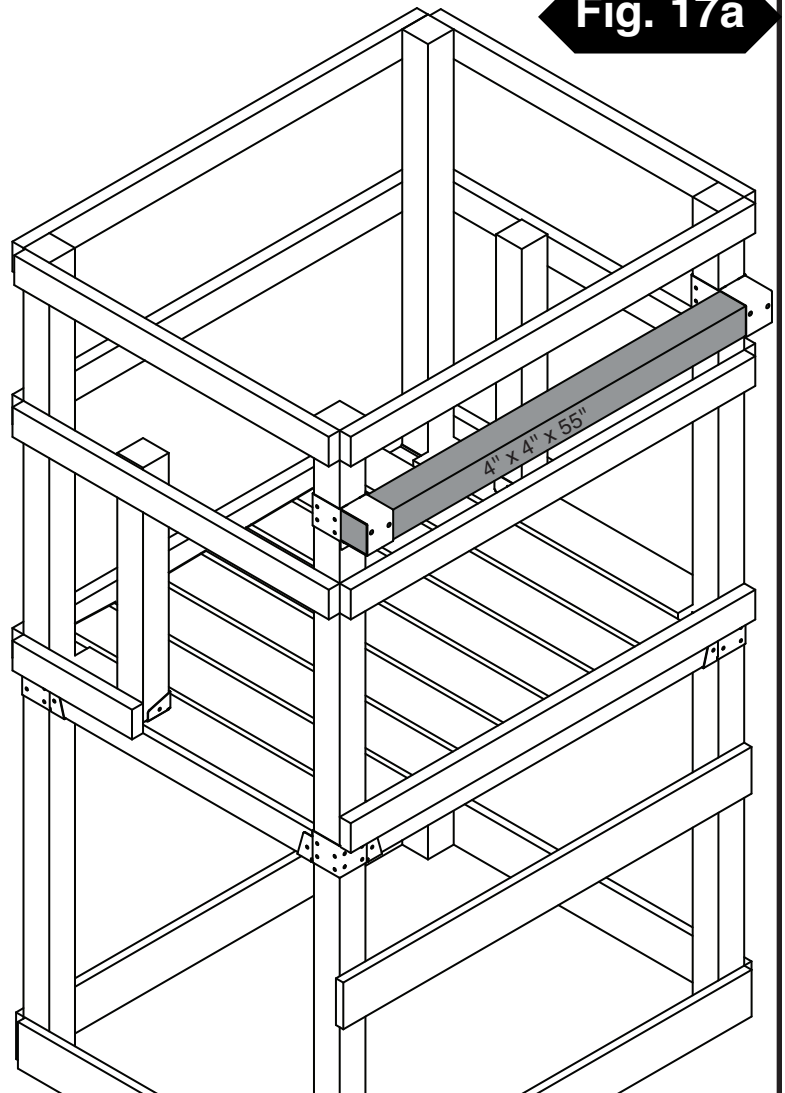
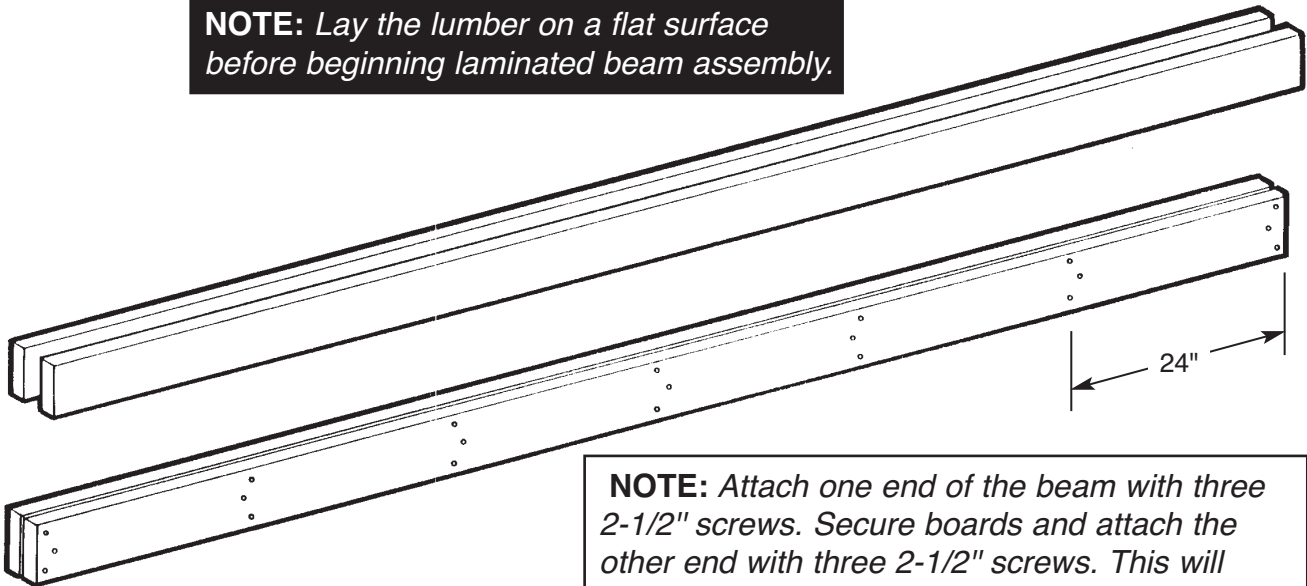


Fig. 17a

## Optional Laminated Beam

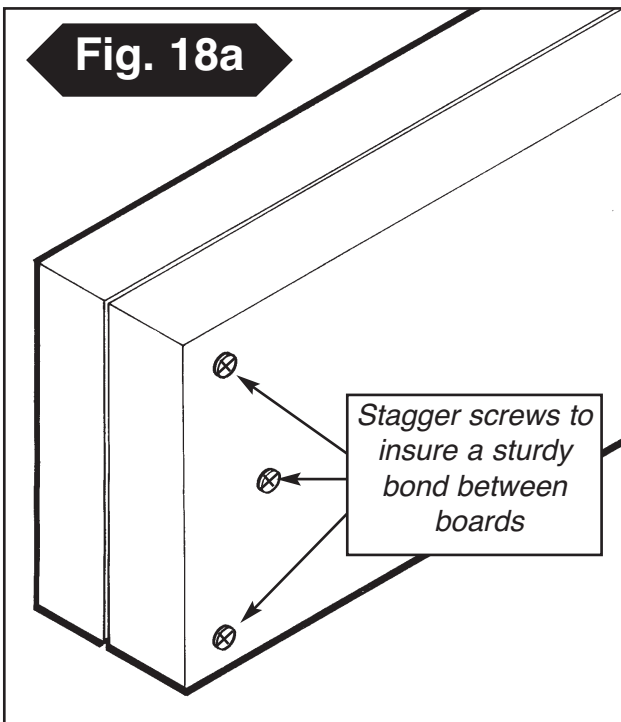
**Fig. 18**

**NOTE:** Lay the lumber on a flat surface before beginning laminated beam assembly.



**NOTE:** Attach one end of the beam with three 2-1/2" screws. Secure boards and attach the other end with three 2-1/2" screws. This will insure that your boards will stay aligned throughout the remainder of the beam assembly.

**Fig. 18a**



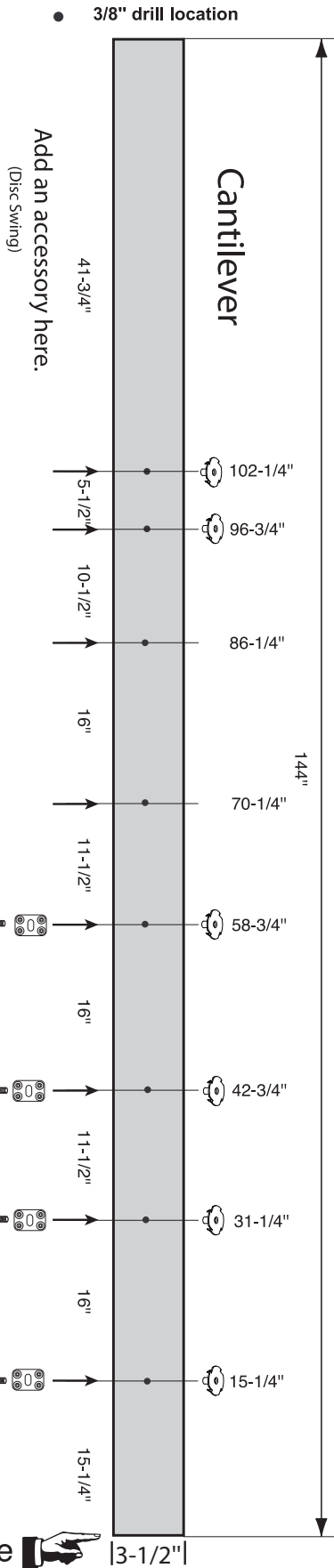
**NOTE:** It is highly recommended that screws be used when laminating the Swing Beam.

### K. Laminated Beam Instructions

1. If 4" x 6" lumber is not available, you may laminate two 2" x 6" x 144" pieces of lumber together to create the beam.
2. Lay the lumber on a flat surface and align all of the edges. **NOTE:** Make sure each piece of lumber is the same length. If it is not, trim board(s).
3. From the end of each board, measure and place a mark at 24" intervals (**Fig. 18**).
4. Assemble the beam by attaching each end together using three 2-1/2" screws (**Fig. 18a**).

**Note:** Stagger the screws as shown in (**Fig. 18a**) to insure a sturdy bond. Repeat every 24" along the entire length of the beam. When beam is complete, measure, drill holes, and attach beam clamps and nylon bushing swing hangers

**Fig. 19**



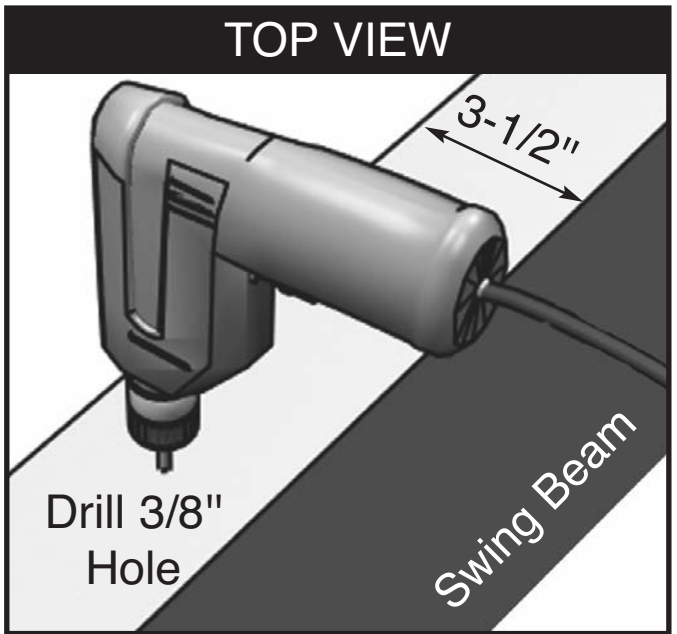
Add an accessory here:  
(Disc Swing)

Measure from Here

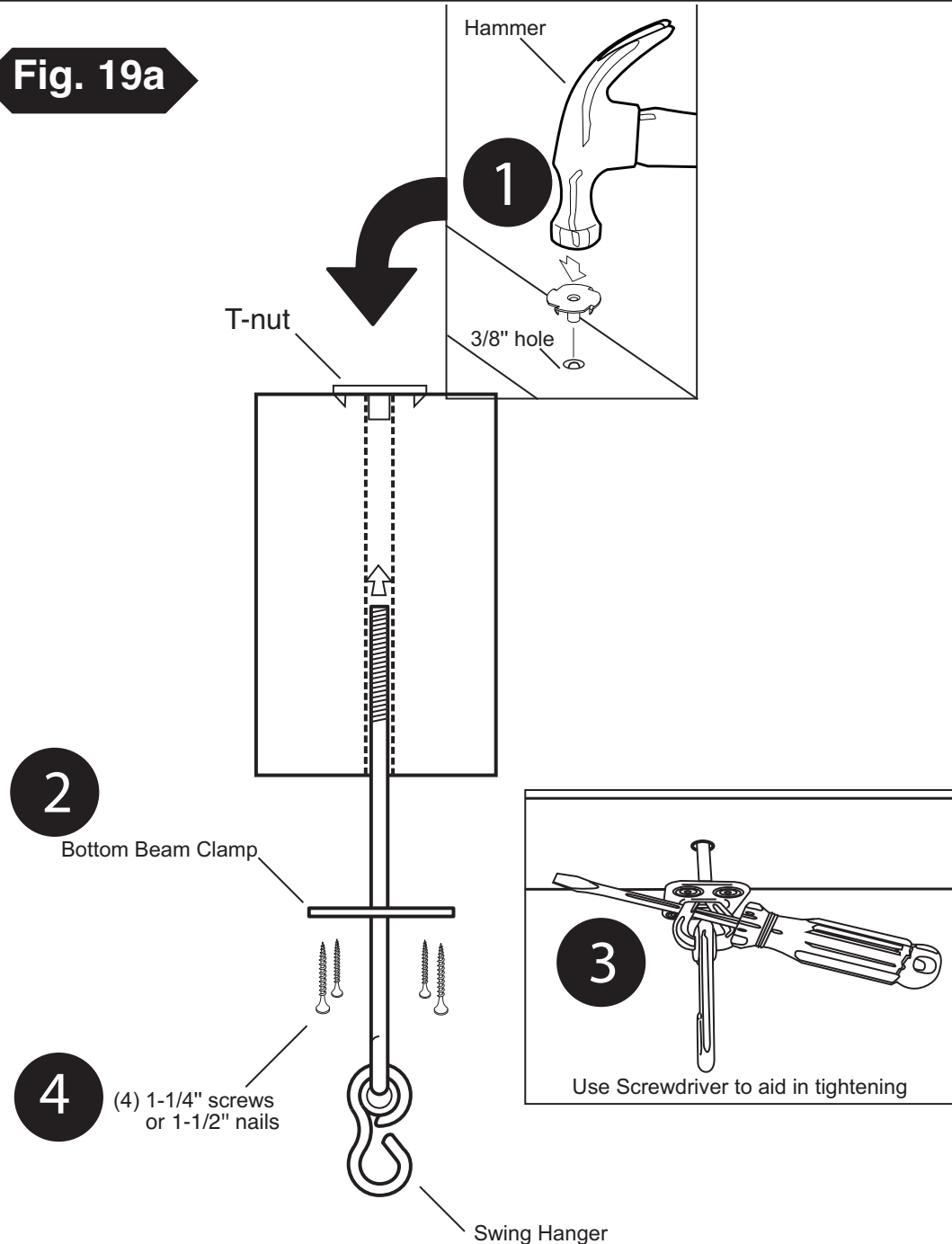
**playset**

**J. Swing Beam Drill Locations**

1. Use a 3/8" drill bit to drill a 3/8" hole through the beam at each location shown in **(Fig. 19)**
2. Tap T-nut into swing beam at locations shown.



**Fig. 19a**



### **J. Swing Beam Drill Locations**

**1.** Tap T-nut into 3/8" hole as shown in **(Fig. 19a)**

**Note:** If using Laminated Swing Beam, make sure t-nut teeth do not fall between seams of 2" x 6"s.

**2.** Place a bottom beam clamp over the swing hanger as shown in **(Fig. 19a)**

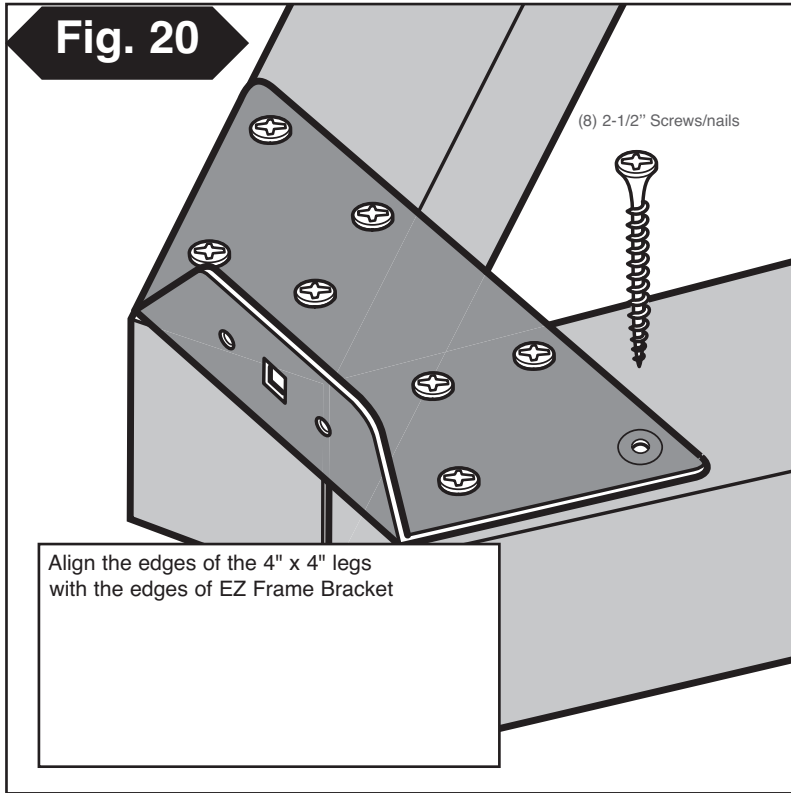
**3.** Insert the swing hanger into the beam and thread it into the T-nut until it is flush or near flush with the top of the T-nut. A screwdriver may be used to twist the hanger **(Fig. 19a)**. Orient swing hanger as shown in **(Fig 19a)**.

**4.** Use (4) 1-1/4" screws/nails to secure beam clamp.

**5.** Check hanger to ensure it does not spin.

**6.** Repeat for all four hangers.

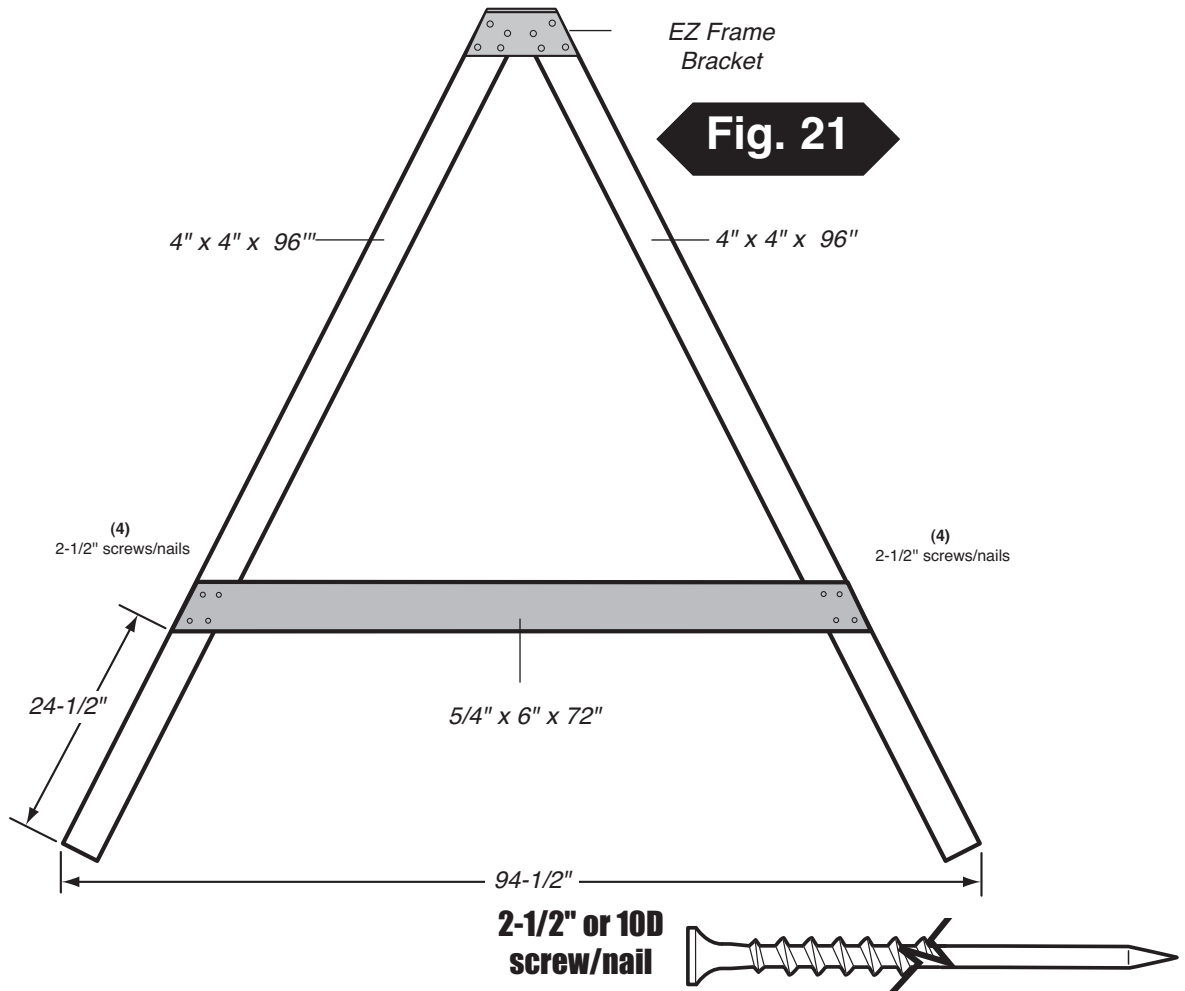
**Fig. 20**



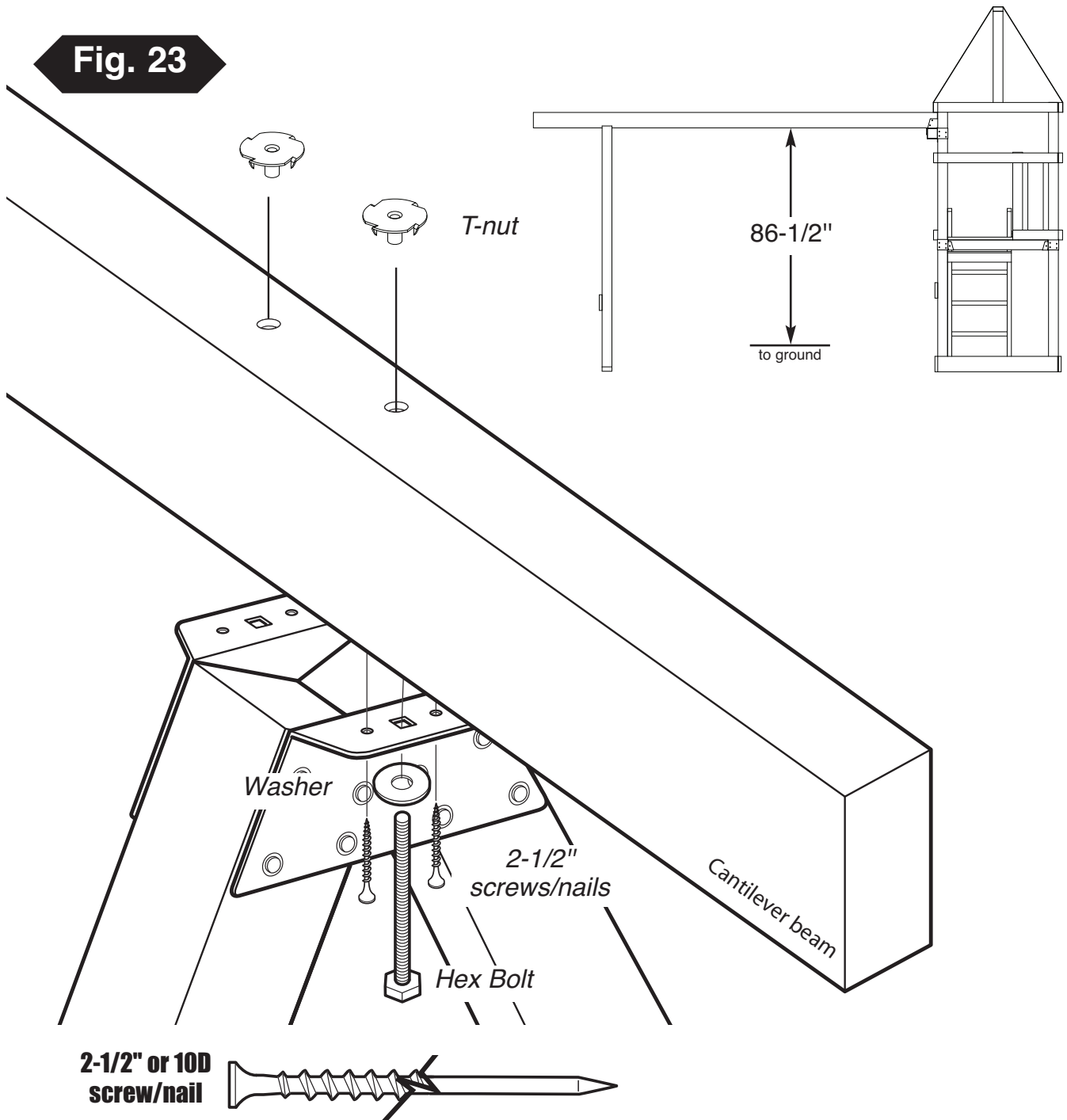
**L. A-Frame Assembly**

1. layout 4" x 4"s as shown in **(Fig. 20)**
2. Align EZ Frame Bracket with face of 4" x 4"s.
3. Secure EZ Frame Bracket with (8) 2-1/2" screws /nails to 4" x 4"s making sure they are flush with each other.
4. Secure 5/4" x 6" to 4" x 4"s as shown in **(Fig. 21)**
5. Flip over and add 2nd bracket. Repeat steps 2 and 3.

**Fig. 21**



**Fig. 23**



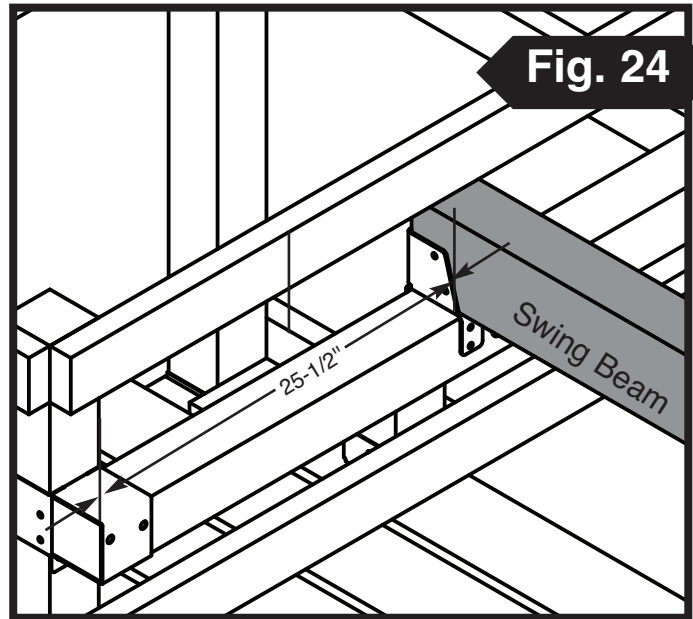
**L. A-Frame Assembly cont.**

1. Attach A-Frame beam to Swing Beam using (2) hex bolts and 4 screws/nails.
2. Tighten hex bolt to flush with top of T-nut. Repeat on other bracket.

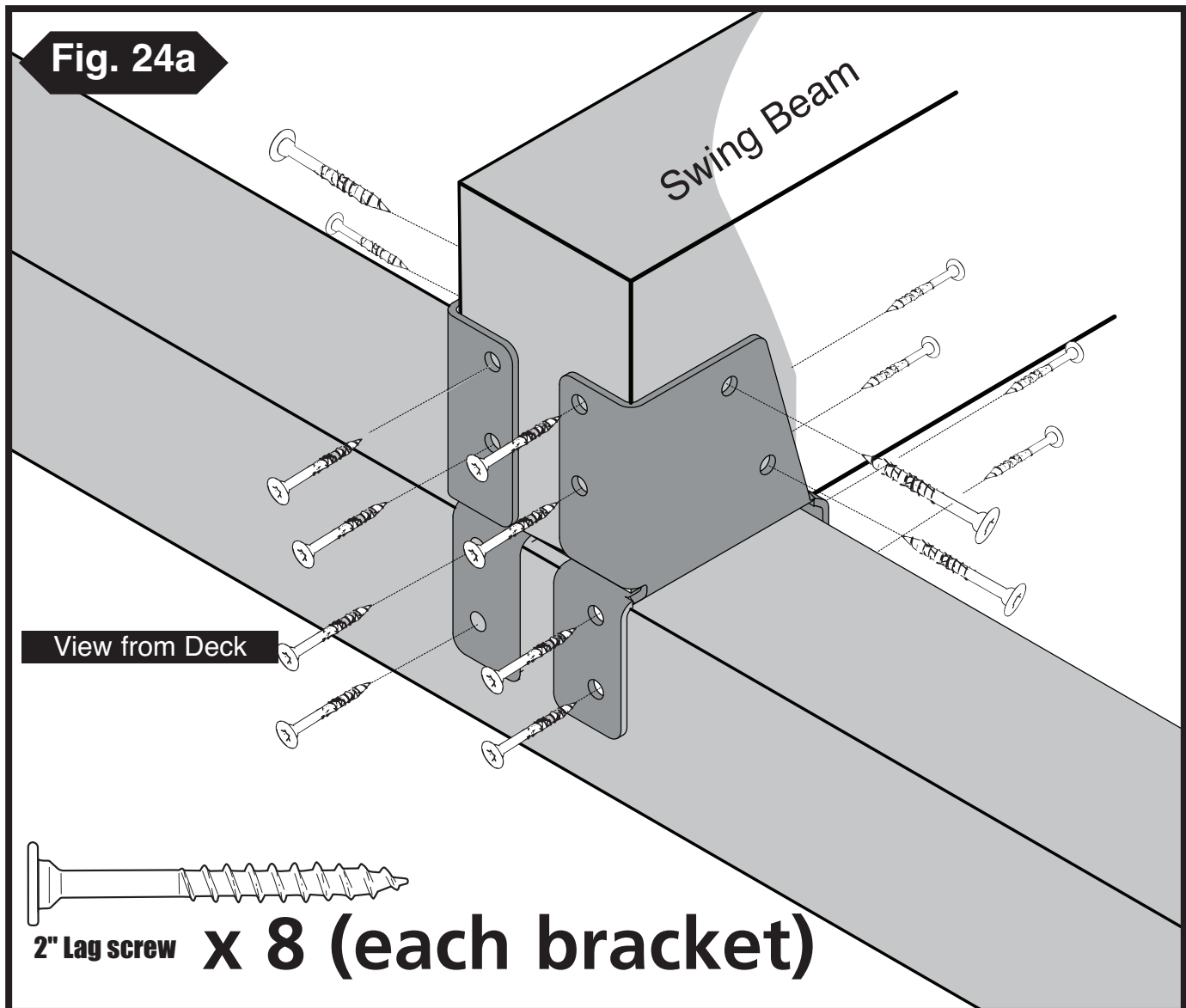
**Note:** If using Laminated Swing Beam, make sure t-nut teeth do not fall between seams of 2" x 6"s.

**L. A-Frame Assembly cont.**

1. Position Split-Brackets on 4" x 4" x 55" (**Fig 24**).
2. With the help of others, lift A-Frame and Swing Beam Assembly and center onto unit as shown in (**Fig. 24**)
3. Secure as shown in (**Fig 24a**).

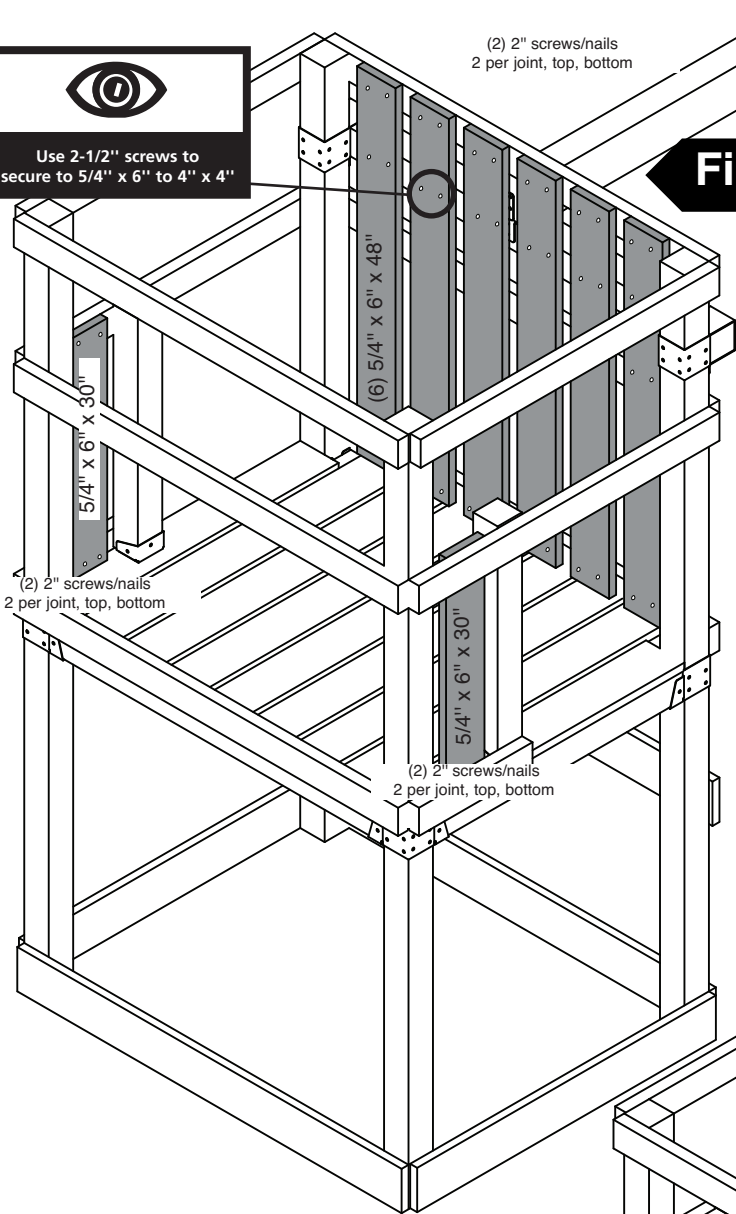
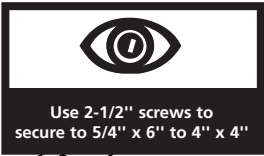


**Fig. 24**



**Fig. 24a**

  
**2" Lag screw x 8 (each bracket)**



**Fig. 25**

**L. Barrier Boards**

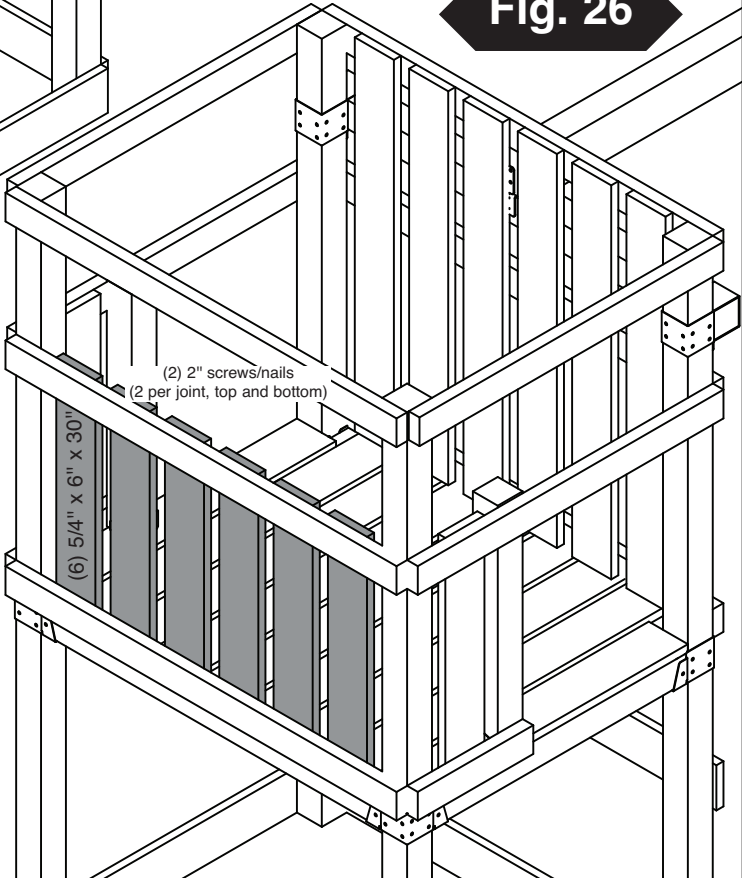
1. Install 5/4" x 48" barrier boards evenly spaced in the opening.



**Fig. 26**

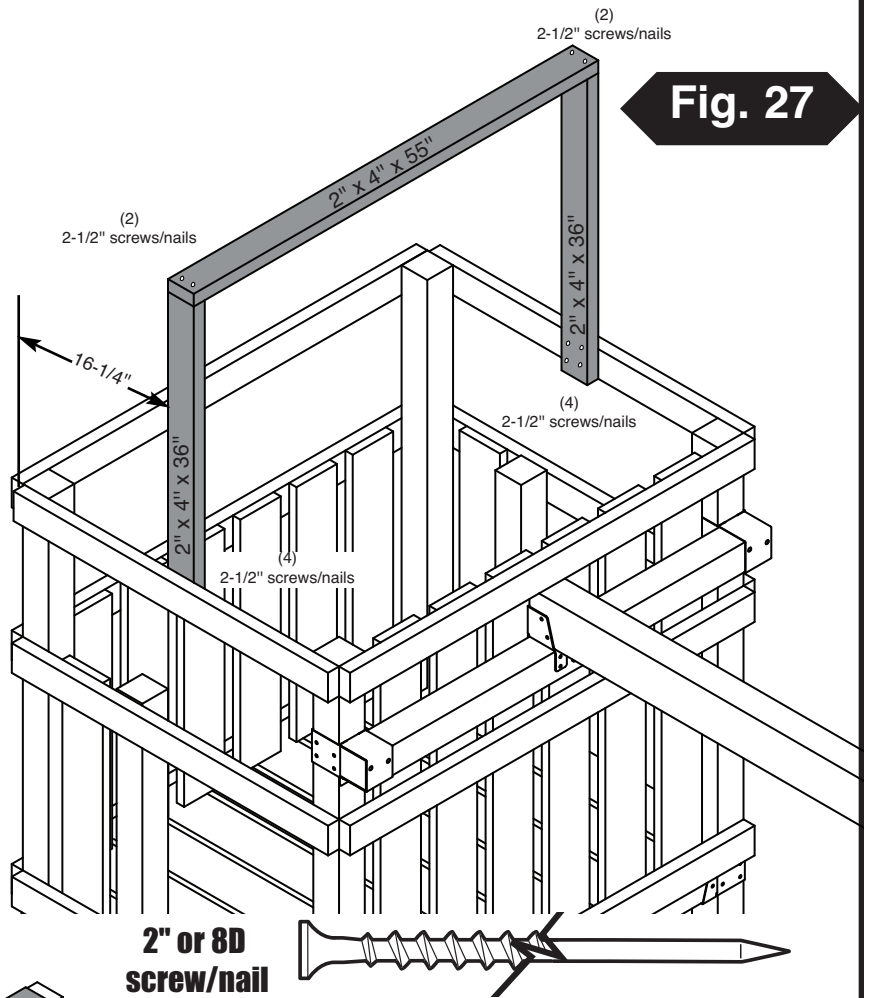
**L. Barrier Boards cont.**

2. Install 5/4" x 30" barrier boards evenly spaced in the opening.



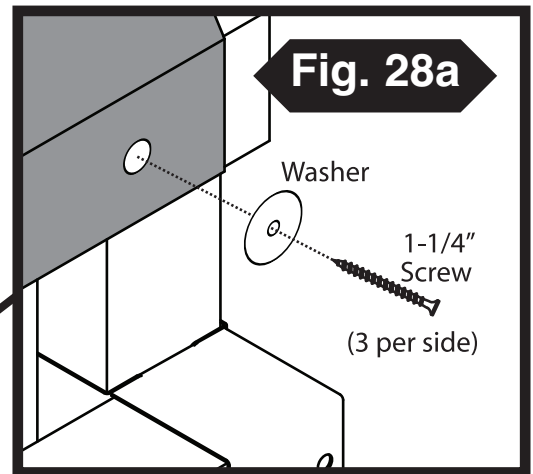
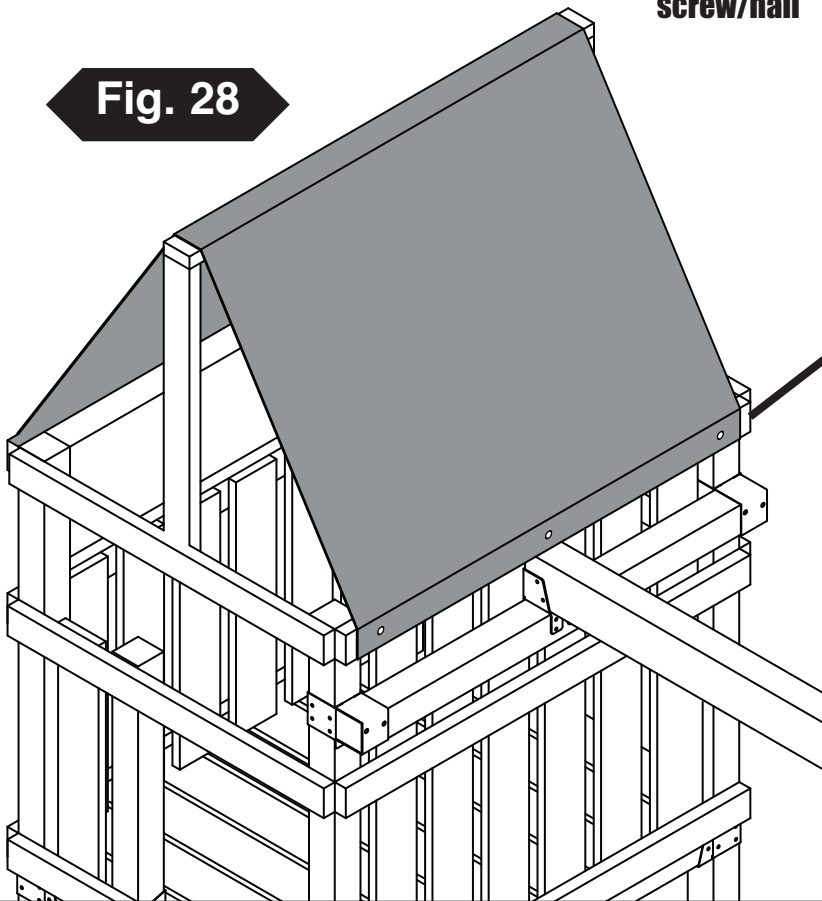
**M. Roof Support.**

1. Install 2" x 4" boards as shown.



**Fig. 27**

**Fig. 28**



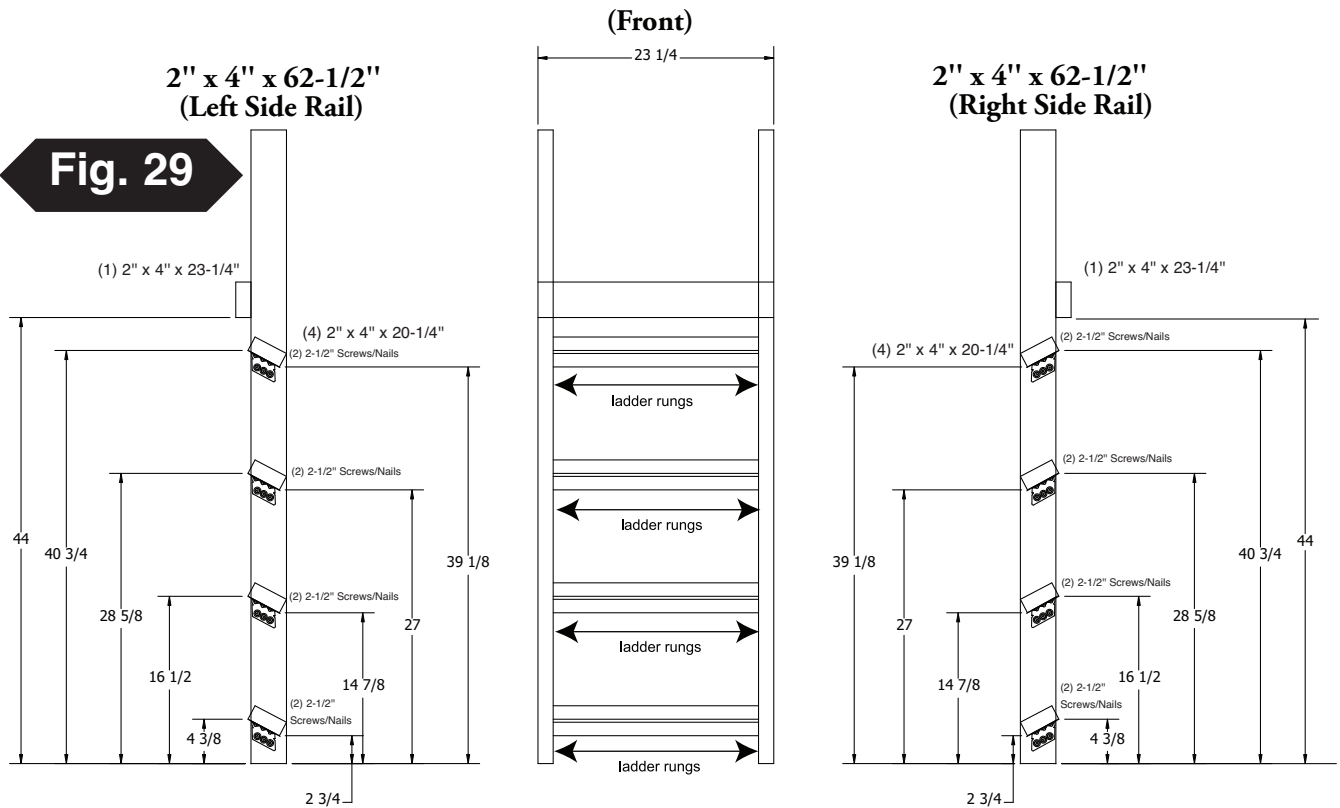
**1-1/4" screw**



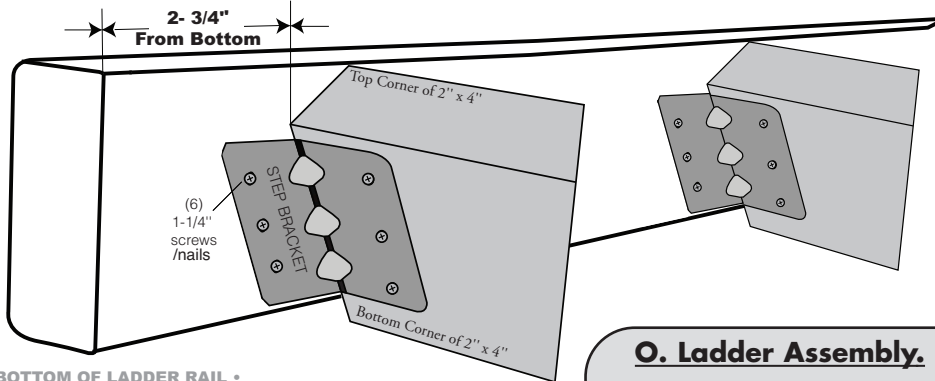
**N. Install Tarp.**

1. Install tarp as shown in (Fig. 28a)
2. Secure tarp in six locations.

# Front Opening Option #1 (see page 38 for Climbing Rock Wall Front Opening Option #2.)



## EXAMPLE OF LADDER RUNG INSTALLATION



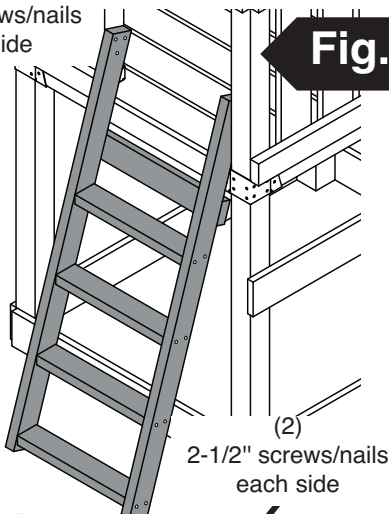
**Fig. 30**

(6) 1-1/4" screws or 4D nails

• BOTTOM OF LADDER RAIL •

(3)  
2-1/2" screws/nails  
each side

**Fig. 31**



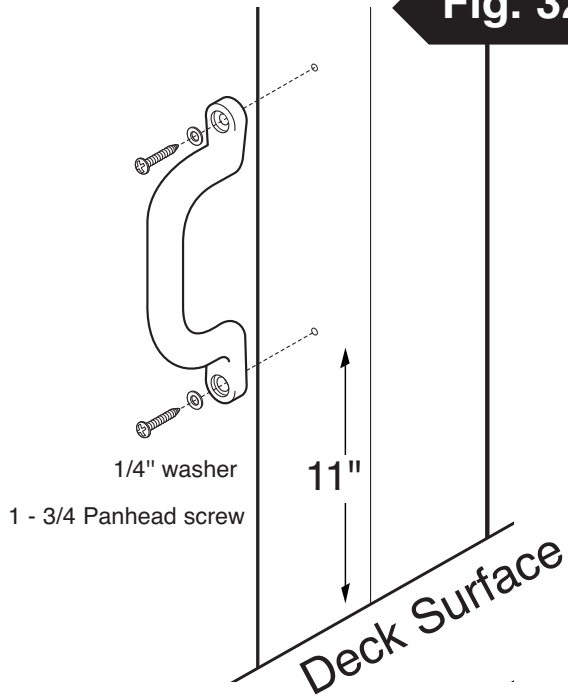
**2-1/2" or 10D  
screw/nail**



### O. Ladder Assembly.

1. On ladder rails, mark all measurement locations for each side with a pencil. Draw an angle line connecting measurements for each ladder rung alignment. **(Fig. 29)**
2. Align top of step bracket with line and screw in place. Install a ladder rung at each of the four locations. **(Fig. 29, 30)** Repeat on other ladder rail.
3. Attach 2" x 4" x 23-1/4" to siderails using (2) 2-1/2" screws/nails per side.
4. Secure ladder to unit. **(Fig. 31)** Note: The top step should be 11" below the deck and all steps should be level.
5. Screw (2) 2-1/2" screws/nails into the ends of each ladder rung through the left and right side rails. **(Fig. 31)**

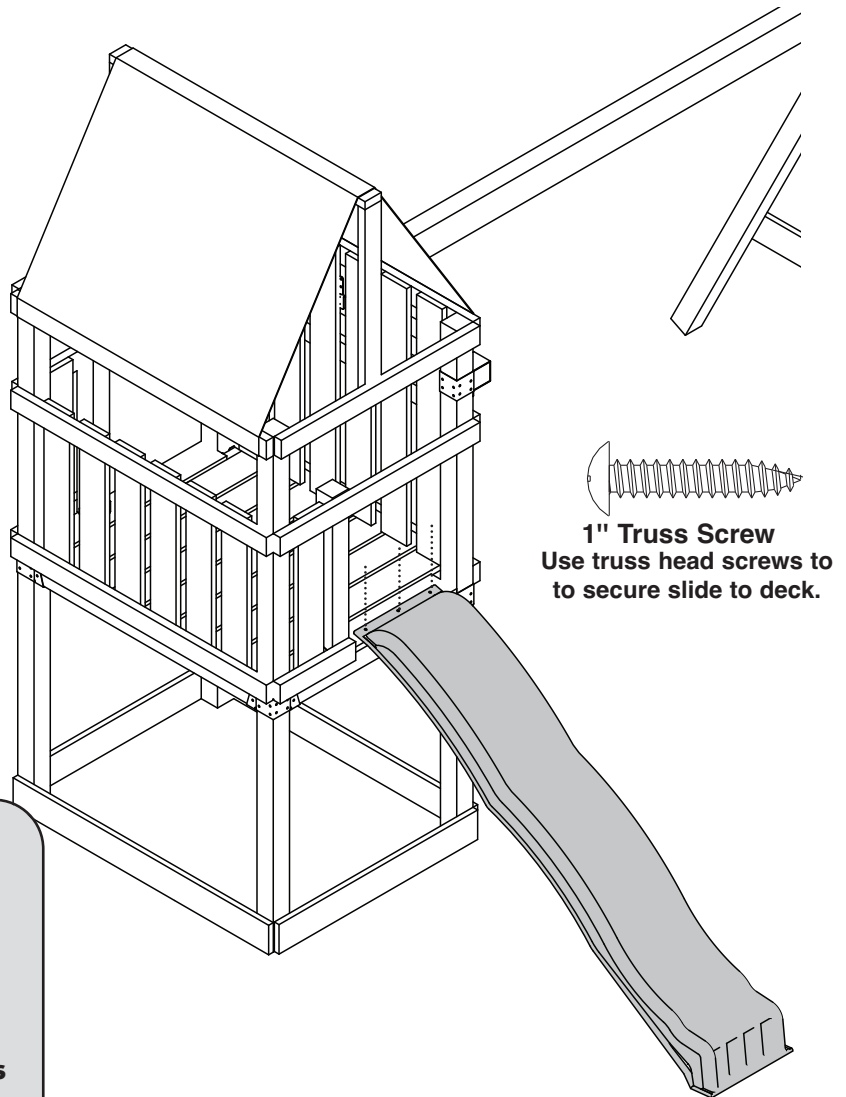
**Fig. 32**



**P. Safety Handles.**

1. Mount safety handles in the ladder opening approximately 11" above the deck surface (**Fig. 32**).

**Fig. 33**

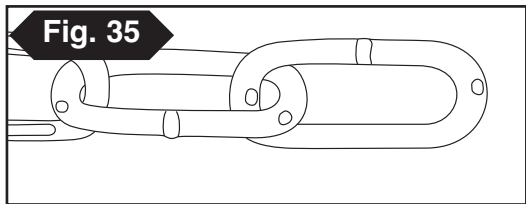
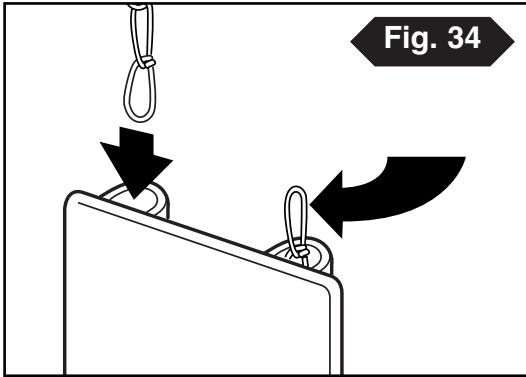


**Q. Slide Installation.**

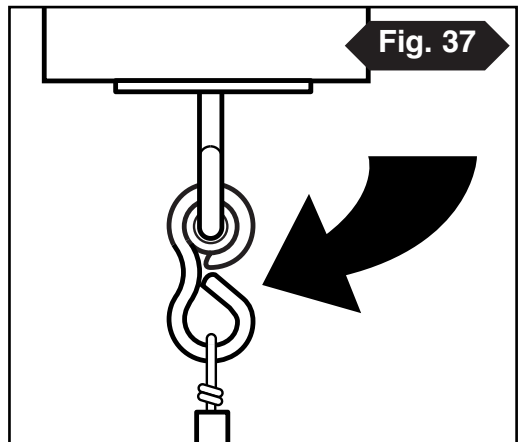
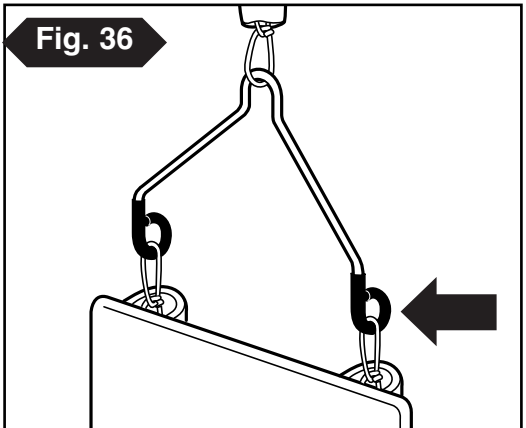
1. Install as shown in (**Fig. 33**)

**Important:**

**Do not use hardware provided with slide. Use Truss head screws included with Kit.**



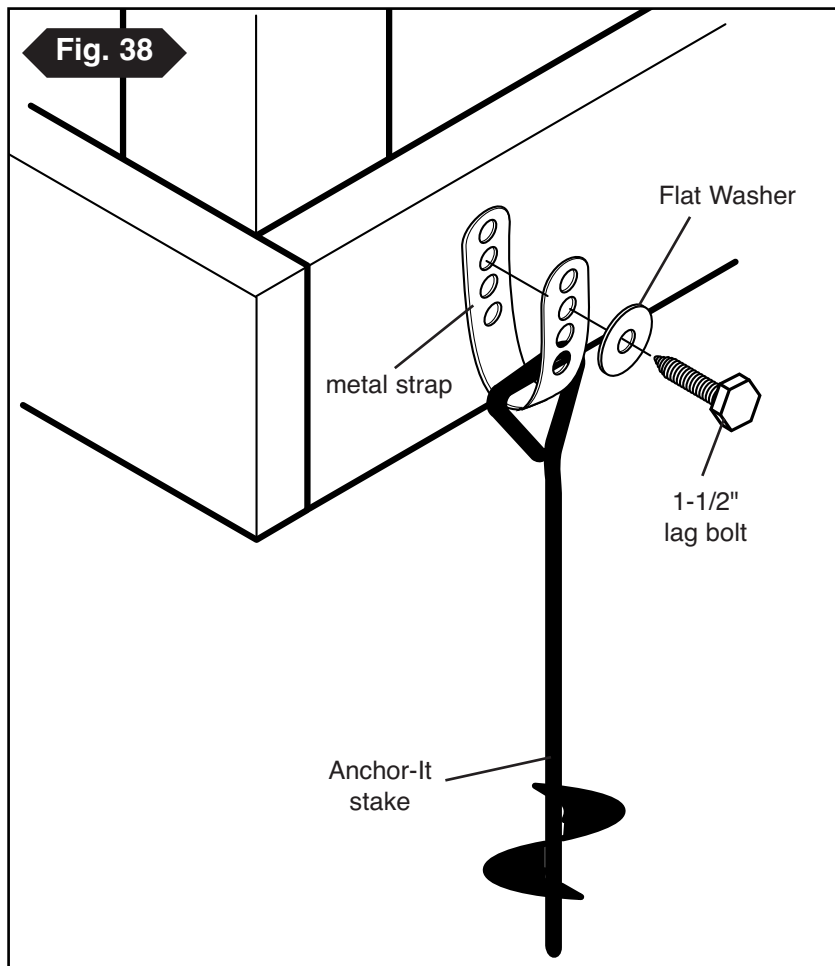
**NEVER** hang a swing seat by a partial link of chain! Remove and discard partial links.



## R. Final Assembly.

1. Hold the swing seat vertically and insert uncoated chains through the channels on the bottom of the swing seat. **Note:** A coat hanger may be used to help pull chain through the swing seat. One full link should show at each end of the seat (**Fig. 34**).
2. Place one covered chain onto each harness so that it fits at the top of the V-hanger. Insert uncoated chains to bottom vinyl hooks of V-hanger. (**Fig. 36**). Crimp harness end closed. **CAUTION: It is important that you crimp harness ends completely closed before using (see Fig. 36).** Place end of harness with hooks on a hard surface and force hooks closed with a hammer or squeeze closed with a pliers until parts are touching. **WARNING: Open hooks can cause deep cuts.**
3. Hang the chains from the nylon bushing swing hangers. Crimp the hook opening closed with a pliers to secure the chains to the swing hangers (**Fig. 37**). Make sure all connections are tightly crimped and secure before using swing seat.

# Anchor-It (Purchased Separately)



## **S. Anchor-It Installation (optional).**

### **Instructions for Anchoring Swing•N•Slide Activity Centers**

1. Determine the final location of your activity center.
2. Place the Anchor-It stakes adjacent to the base and near the corners of your activity center (at the bottom of the legs on swing sets) and twist the auger-style stakes into the ground until only the loop is exposed.
3. Place the metal strap through the loop of the Anchor-It stake and secure it to the unit with a lag screw and washer as illustrated to the right. Note: Attach the strap to the unit with as little play as possible using whatever holes in the strap that work best.

# Cargo Net

## LUMBER REQUIRED

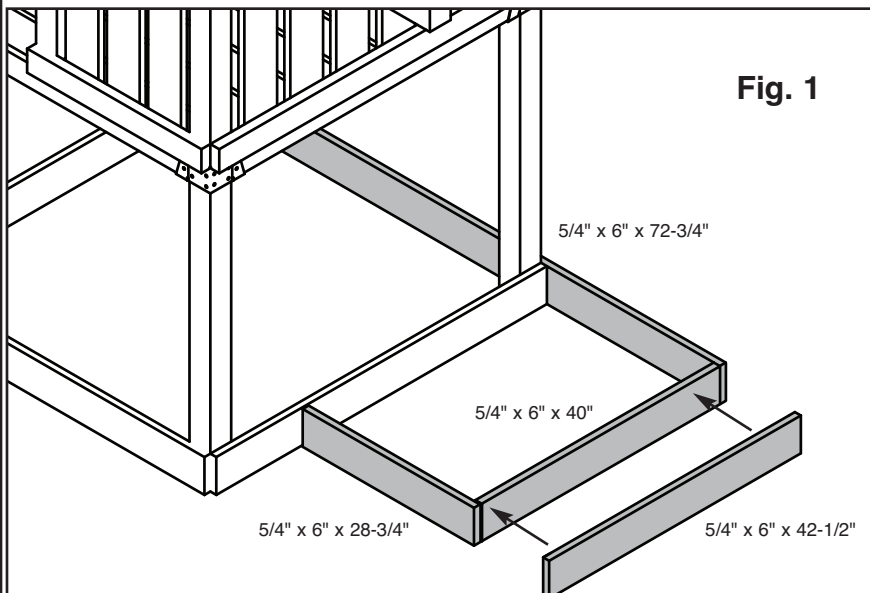
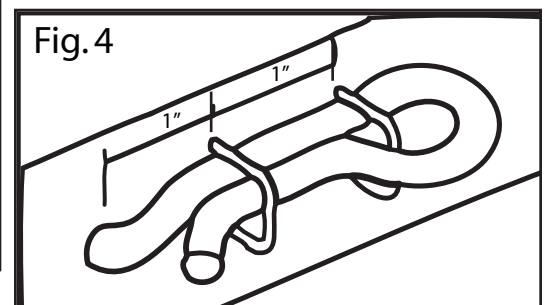
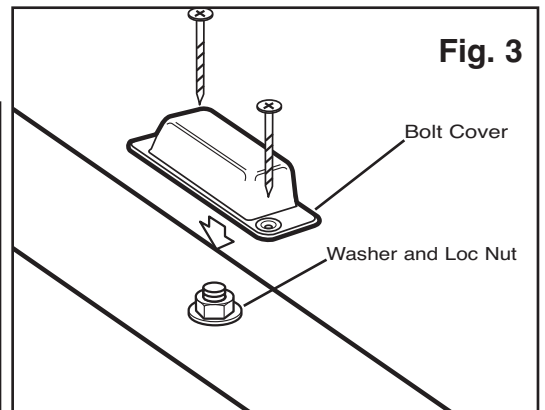
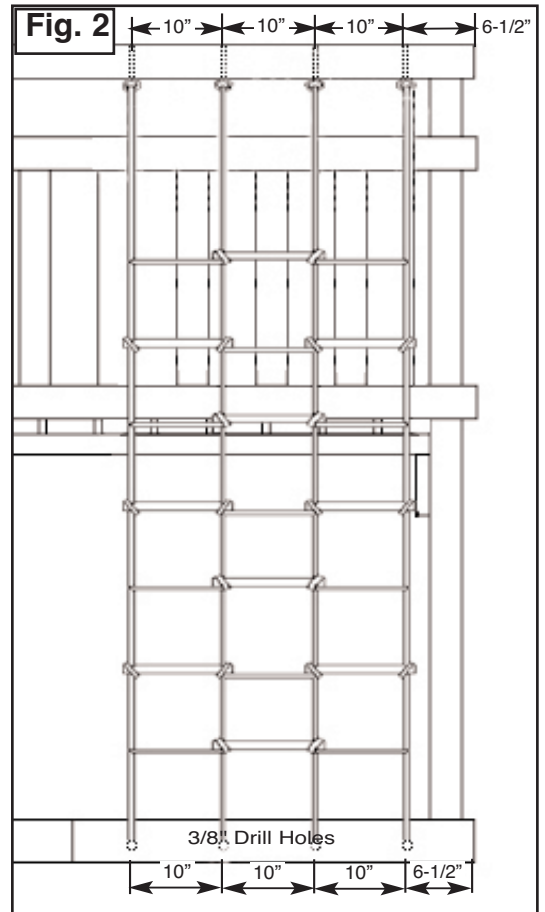
(sold separately)

QTY	DESCRIPTION
2	5/4" x 6" x 10'

## INSTRUCTIONS

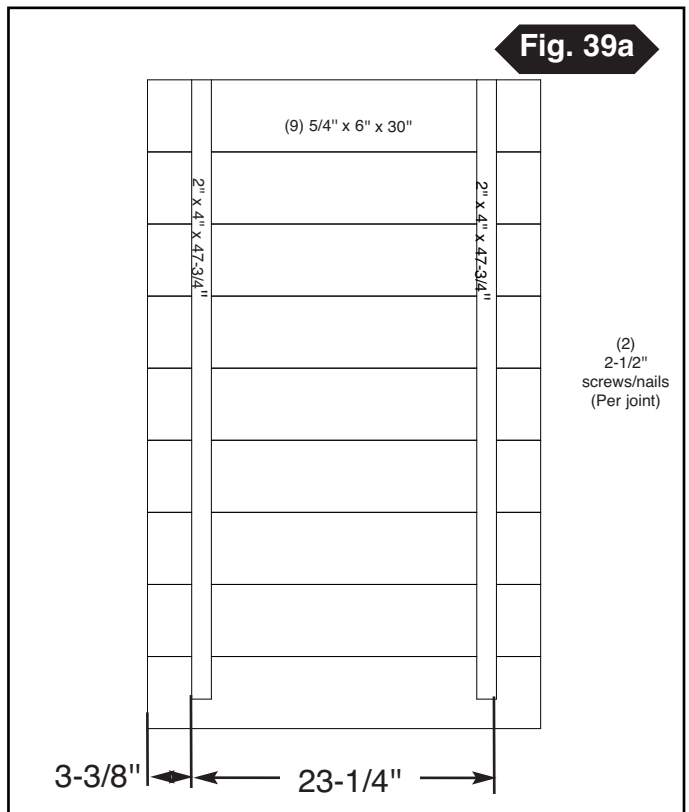
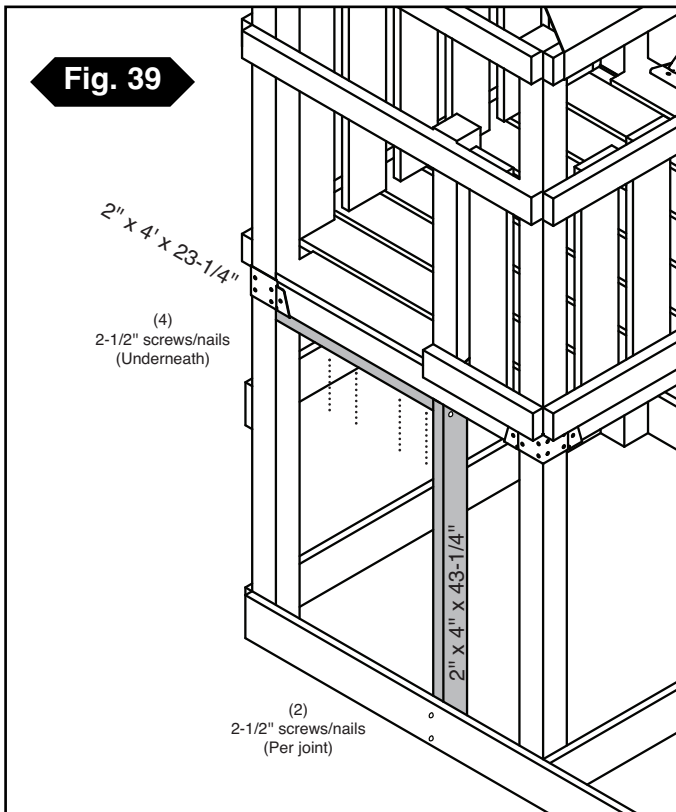
1. Cut one 5/4" x 6" x 72-3/4". Cut one 5/4" x 6" x 40" and 42-1/2". Cut remaining 5/4" x 6" x 28-3/4".
2. Remove the existing base board from the unit. **NOTE:** Save the hardware as they will be re-used.
3. Attach the 5/4" x 6" x 72-3/4" board to the base as indicated in Fig. 1 using four (4) 2-1/2" screws/nails and one (1) 2" Lag Screw at each joint.
4. Attach remaining lumber to the unit as shown in Fig. 1 using three 3" screws per joint.
5. Drill four 3/8" holes in the top board and four 3/8" holes in the bottom board as indicated in Fig. 2. **NOTE:** Drill through the bottom of the 2" x 4" board to the top. Insert the eye bolts of the Cargo Net through the holes of the top board and secure all of them using a beam clamp, washer and loc nut (see Fig. 3).  
**NOTE:** Using a hacksaw, remove excess threads of the eyebolt as close to loc nut as possible.
6. Place bolt covers over the bolts as indicated in Fig. 3. Secure bolt covers using 2" screws/nails.
7. Place two rope staples as indicated in Fig. 4. Thread the Cargo Net through the holes of the base and loop through the staples as shown (Fig. 4). Pull tight and secure by pounding staples tight against the base.

## SIDE MOUNTING OPTION 1



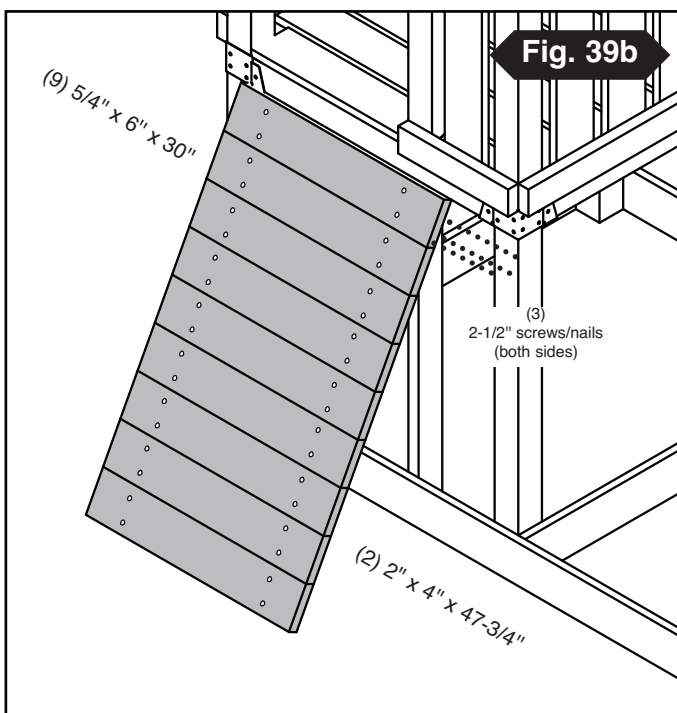
# PROJECT 612 ONLY

## Front Opening Option # 2 (see page 32 for Ladder Assembly Front Opening Option #1.)



**2-1/2" screw or nail**

**NOTE:**  
4' Climbing Rock Wall will require  
**min. 8 Climbing Rocks**



- T. Climbing Wall.**
- (1) 2x4x8 --- (2) 2x4x47-3/4  
 (1) 2x4x8 --- (1) 2x4x43-1/4 (1) 2x4x23-1/4  
 (3) 5/4x6x10--(3) 5/4x6x30
1. Assemble and install Climbing Wall Frame and body as shown in **(Fig. 39)**, **(Fig. 39a)**.
  2. Attach (9) 5/4" x 6" boards to (2) 2" x 4" boards and install on unit as shown in **(Fig. 39b)**.
  3. Use a pencil to mark where you would like the Climbing Rocks to be installed. Double check your spacing and secure Rock at each location.
- Note:** Make sure the 2" x 4" supports do not interfere with the mounting of the climbing rocks.

***Questions???***  
***Call our Customer Service Department***  
***at 1-800-888-1232***



We Put Kids First.