



# Wood Stove Chimney & Double Wall Stove Pipe Planner

"rather plan your system on line  
... go to [www.supervent.com](http://www.supervent.com)"



## Getting Started

Before you begin, determine the (inner) diameter of your Chimney.



This is usually the same size (6", 7" or 8") as the flue collar on your wood stove.



Need Help?

... Contact us at:

1.888.SELKIRK (735.5475)

or, visit us online @

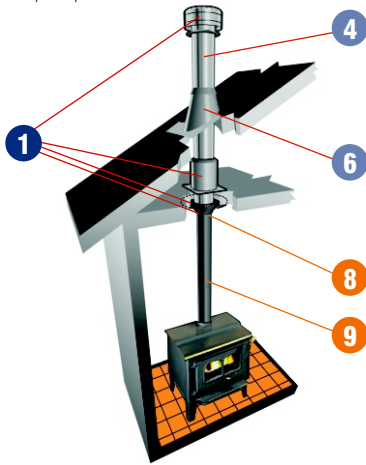
[www.supervent.com](http://www.supervent.com)

## Step 1 Select type of installation by determining where your chimney will run and use this Work Sheet to plan your complete system. (Installations may vary, please refer to the installation instructions @ [www.supervent.com](http://www.supervent.com))

### 1 Decorator Ceiling Support Kit

Kit Includes:

- 1 Deluxe Rain Cap
- 1 Attic Insulation Shield
- 1 Ceiling Support
- 1 Stove Pipe Adapter

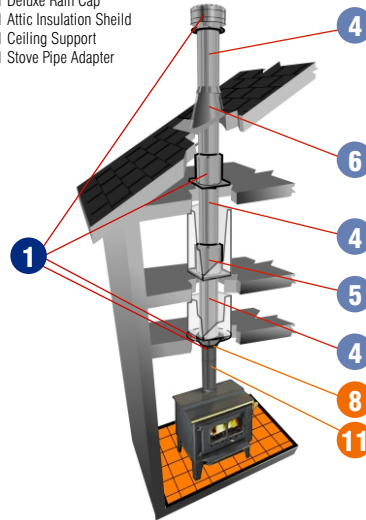


Note: If your Chimney runs more than 40' you must install a Roof Support.

### 1 Decorator Ceiling Support Kit Two Storey Installation

Kit Includes:

- 1 Deluxe Rain Cap
- 1 Attic Insulation Shield
- 1 Ceiling Support
- 1 Stove Pipe Adapter

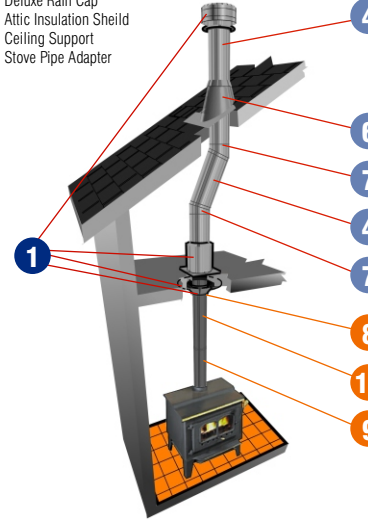


Note: If your Chimney runs more than 40' you must install a Roof Support.

### 1 Decorator Ceiling Support Kit with an Offset Installation

Kit Includes:

- 1 Deluxe Rain Cap
- 1 Attic Insulation Shield
- 1 Ceiling Support
- 1 Stove Pipe Adapter

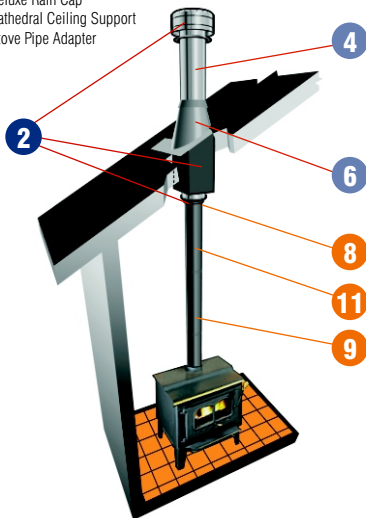


Note: If your Chimney runs more than 40' you must install a Roof Support.

### 2 Cathedral Ceiling Support Kit

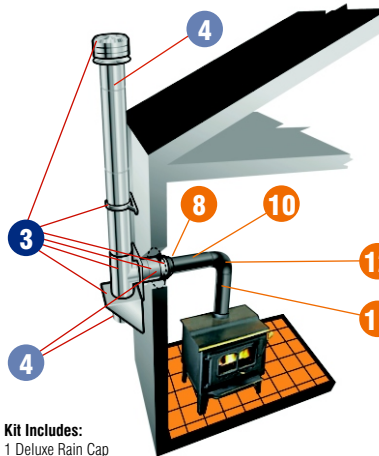
Kit Includes:

- 1 Deluxe Rain Cap
- 1 Cathedral Ceiling Support
- 1 Stove Pipe Adapter



Note: If your Chimney runs more than 18' you must install a Roof Support.

### 3 Wall Support Kit

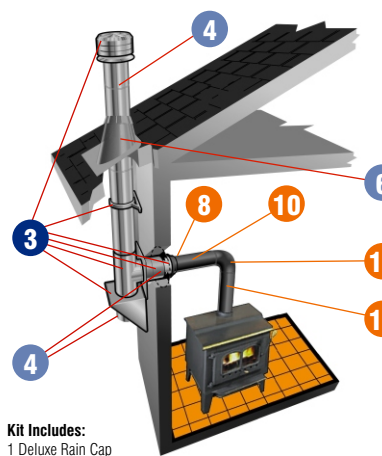


Kit Includes:

- 1 Deluxe Rain Cap
- 2 Wall Bands
- 1 Insulated Tee with Plug
- 1 Wall Thimble
- 1 Stove Pipe Adapter
- 1 Adjustable Wall Support

Note: If your Chimney runs more than 33' you must install an Intermediate Wall Support.

### 3 Wall Support Kit Through a Soffit Installation



Kit Includes:

- 1 Deluxe Rain Cap
- 2 Wall Bands
- 1 Insulated Tee with Plug
- 1 Wall Thimble
- 1 Stove Pipe Adapter
- 1 Adjustable Wall Support

Note: If your Chimney runs more than 33' you must install an Intermediate Wall Support.

KITS ARE AVAILABLE IN 6" & 7" DIAMETERS.

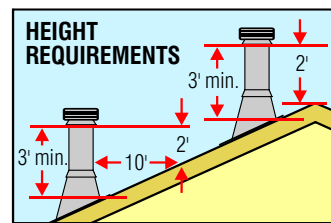
SuperVent 2100 Parts Listing		PART #	PRICE	QTY	TOTAL	
1	Decorator Ceiling Support Kit	JM*DCSP	\$	X =		
2	Cathedral Ceiling Support Kit	JM*CCSK	\$	X =		
3	Wall Support Kit	JM*WSP	\$	X =		
4	Chimney Lengths (See Step 2)	36" length	JM*S36	\$	X =	
		24" length	JM*S24	\$	X =	
		18" length	JM*S18	\$	X =	
		12" length	JM*S12	\$	X =	
		6" length	JM*S6	\$	X =	
NOTE: Don't forget to add any Offset Lengths (see step4) or Through-the-Wall Lengths (Wall support installations) here.						
Not illustrated	Locking Band (1 for every 5' above roof)	JM*SLB	\$	X =		
5	Second Attic Shield for 2 Storey Install	JM*AIS	\$	X =		
6	Roof Flashing Assembly	0/12 to 6/12	JM*AAF	\$	X =	
		with Storm Collar (see Step 3) 7/12 to 12/12	JM*AF2	\$	X =	
Not illustrated	Rubber Boot Flashing Kit	JURBFK2	\$	X =		
Not illustrated	Roof Guy Kit if Chimney is 5' above roof.	JURGK-1	\$	X =		
7	Chimney Offset Kit (if req'd)	15°	JM*SEK	\$	X =	
		30°	JM*SE3K	\$	X =	
Not illustrated	Universal Shielding Insulation	JUSI	\$	X =		
<b>8 Model DSP Double Wall Stove Pipe Parts Listing</b>						
9	Universal Chimney Adapter	DSP*CA	\$	X =		
10	Telescopic Length	DSP*TL	\$	X =		
11	Adjustable Length	installs from 38" to 68" includes Finishing Band				
		installs from 12" to 18" includes Finishing Band	DSP*AL-1	\$	X =	
		Fixed Lengths:				
		6"	DSP*P6-1	\$	X =	
		12"	DSP*P12-1	\$	X =	
	24"	DSP*P24-1	\$	X =		
	36"	DSP*P36-1	\$	X =		
Not illustrated	Finishing Band	DSP-FB	\$	X =		
Not illustrated	Increaser	6"-7"	DSPI67	\$	X =	
		7"-8"	DSPI78	\$	X =	
		6"-8"	DSPI68	\$	X =	
		7"-6"	DSPI76	\$	X =	
Not illustrated	Reducer	8"-7"	DSPR87	\$	X =	
		8"-6"	DSPR86	\$	X =	
		7"-6"	DSPR76	\$	X =	
Not illustrated	45° Elbow	DSP*E4-1	\$	X =		
12	90° Elbow	DSP*E9-1	\$	X =		
Not illustrated	Tee Section	DSP*TE-1	\$	X =		
Not illustrated	Damper Kit	DSP*DK-1	\$	X =		
Not illustrated	Stove Adapter	DSP*SA-1	\$	X =		
NOTE: Asterisk "*" shown in part # represents Diameter required.					TOTAL	\$

### Step 2

**Determine the number of Chimney Lengths required. Chimney Lengths are available in 36", 24", 18", 12" and 6" Lengths.**

The chimney must extend at least 3' above the highest point where it passes through the roof surface and at least 2' higher than any part of the building within a horizontal distance of 10'.

NOTE: When calculating the installed length of your chimney subtract 1-1/8" for each joint & include the Height Requirements as shown in this illustration. →



### Step 3

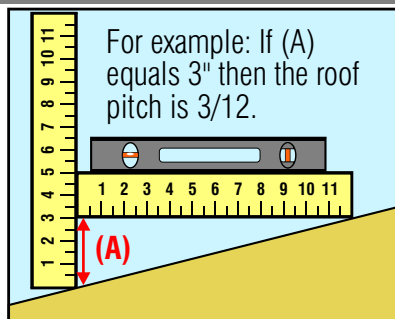
**Choose the proper Roof Flashing required for your installation.**

To determine which Roof Flashing you require, work out the pitch of your roof.

NOTE: Each Roof Flashing includes a Storm Collar.

#### ROOF FLASHING SELECTION CHART

To calculate your roof pitch use one of the 12 inch rulers to measure the number of inches (A) from the end of the other ruler down to the roof.



**6" Chimney Diameter:**

0/12 - 6/12 Roof Pitch = **JM6AAF** - (Low Slope)  
7/12 - 12/12 Roof Pitch = **JM6AF2** - (Steep Slope)

**7" Chimney Diameter:**

0/12 - 6/12 Roof Pitch = **JM7AAF** - (Low Slope)  
7/12 - 12/12 Roof Pitch = **JM7AF2** - (Steep Slope)

**8" Chimney Diameter:**

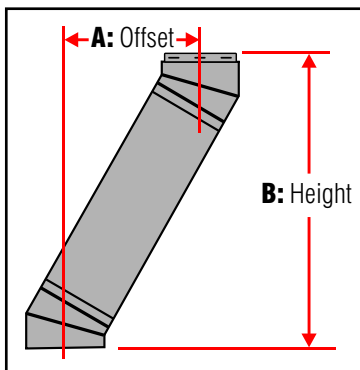
0/12 - 6/12 Roof Pitch = **JM8AAF** - (Low Slope)  
7/12 - 12/12 Roof Pitch = **JM8AF2** - (Steep Slope)

**NOTE: for Metal Roof use:**

Universal Rubber Boot Flashing Kit = JURBFK2

### Step 4 Offset Calculation for Ceiling Support Installations Only

If an offset is required to avoid rafters or other obstructions, measure the horizontal distance required and the vertical height available, refer to the Chimney Offset Chart to determine the Elbows and Chimney Length required.



NOTE: Lengths can be combined to achieve other Offsets & Heights not listed in the chart. Please consult installation instructions for dimensional details.

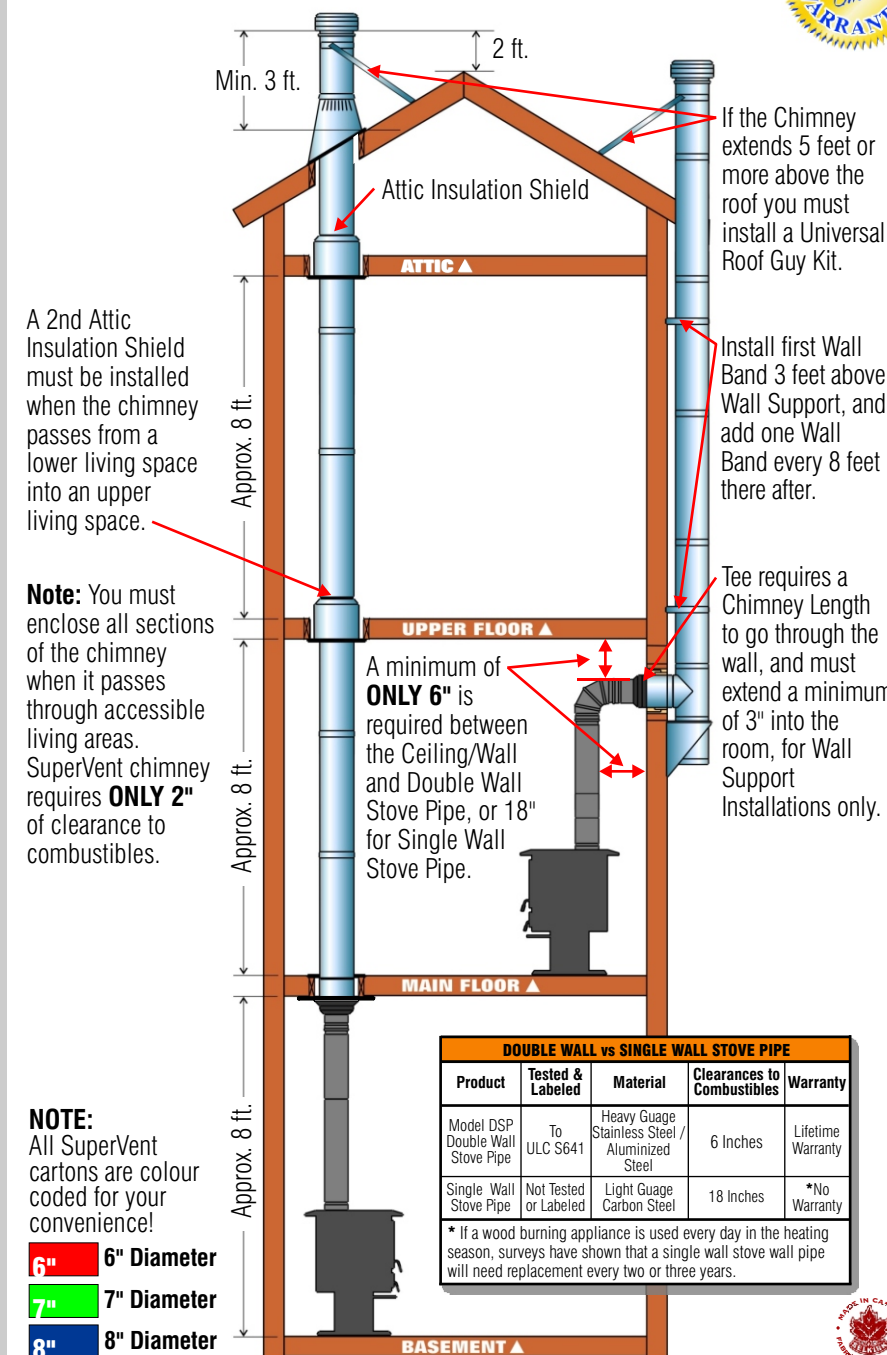
#### CHIMNEY OFFSET CHART

Elbow	Chimney Lengths	6" Diameter		7" Diameter		8" Diameter	
		A	B	A	B	A	B
2x15°	no chimney length	1-1/4"	10-5/8"	1-5/16"	11"	1-5/8"	11-3/8"
2x15°	6" chimney length	2-1/16"	15-3/8"	2-1/4"	15-3/4"	2-1/2"	15-3/4"
2x15°	12" chimney length	4-1/16"	21-1/4"	4-1/8"	21-1/2"	4-1/8"	21-13/16"
2x15°	18" chimney length	5-5/8"	27-3/16"	5-11/16"	27-3/8"	5-11/16"	27-5/8"
2x15°	24" chimney length	7-1/4"	33"	7-1/4"	33-1/8"	7-1/4"	33-3/8"
2x15°	36" chimney length	10-1/4"	44-1/2"	10-1/4"	44-3/4"	10-3/8"	45-1/16"
2x30°	no chimney length	3-9/16"	14-3/16"	3-3/4"	15-1/2"	3-7/8"	15-3/8"
2x30°	6" chimney length	5-7/8"	18-5/16"	6-1/4"	19-1/2"	6-3/8"	19-3/4"
2x30°	12" chimney length	8-7/8"	23-9/16"	9-1/4"	24-3/4"	9-3/8"	25"
2x30°	18" chimney length	11-15/16"	28"	12-5/16"	29-13/16"	12-7/8"	30-1/16"
2x30°	24" chimney length	14-15/16"	34-1/16"	15-5/16"	35-3/8"	15-7/16"	35-1/4"
2x30°	36" chimney length	20-7/8"	44-9/16"	21-1/4"	45-5/8"	21-7/16"	46-1/16"

### Step 5

The final step required to complete your Wood Stove Venting solution is to determine the Model DSP Double Wall Stove Pipe parts that will be needed to complete your installation. Refer to Installation Diagrams (Step 1) and complete your Installation Planning Work Sheet.

### Helpful Installation Tips



DOUBLE WALL vs SINGLE WALL STOVE PIPE				
Product	Tested & Labeled	Material	Clearances to Combustibles	Warranty
Model DSP Double Wall Stove Pipe	To ULC S641	Heavy Gauge Stainless Steel / Aluminized Steel	6 Inches	Lifetime Warranty
Single Wall Stove Pipe	Not Tested or Labeled	Light Gauge Carbon Steel	18 Inches	*No Warranty

\* If a wood burning appliance is used every day in the heating season, surveys have shown that a single wall stove wall pipe will need replacement every two or three years.

- 6"** 6" Diameter
- 7"** 7" Diameter
- 8"** 8" Diameter

