

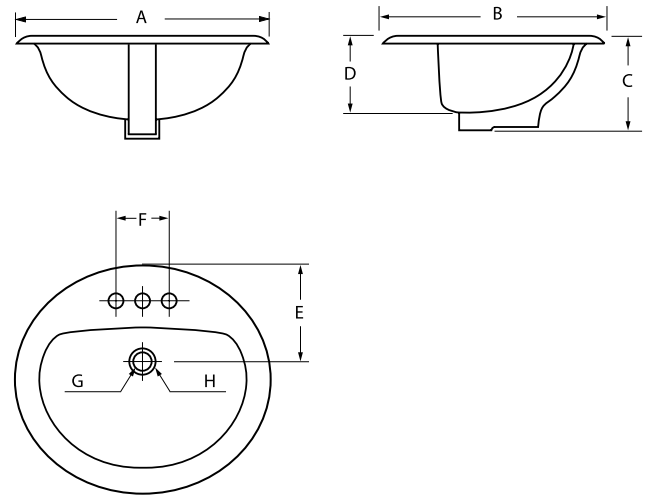


### Specifications:

- Material: Grade A Vitreous China
- Color: White
- Overall Dimensions: 20" x 17" x 8"
- Faucet Drilling: 4" Centers
- Overflow: Front Overflow
- UPC#: 7-21015-31124-9
- Container Qty. (40/40' H.): 2,240 sets/2,500 sets
- Gross Weight: 18 lbs.

### Dimensions:

- |                            |        |
|----------------------------|--------|
| A. Overall Length          | 20"    |
| B. Overall Depth           | 17"    |
| C. Overall Height          | 8"     |
| D. Basin Height            | 5 3/8" |
| E. From Back To Drain Hole | 7 1/2" |
| F. Faucet Drilling         | 4"     |
| G. Interior Drain Hole     | 1 3/4" |
| H. Exterior Drain Hole     | 2 5/8" |



### Codes/Standards:

Note: The measurements provided are subject to change or cancellation. No responsibility is assumed for use or superseded or voided pages. Please provide suitable reinforcement for all wall supports. Installation instructions supplied. Dimensions of fixture are within range of tolerances of ANSI Standard A112.19.2.M

