

l a v a t o r y



NOTES

- Faucet supplied by others

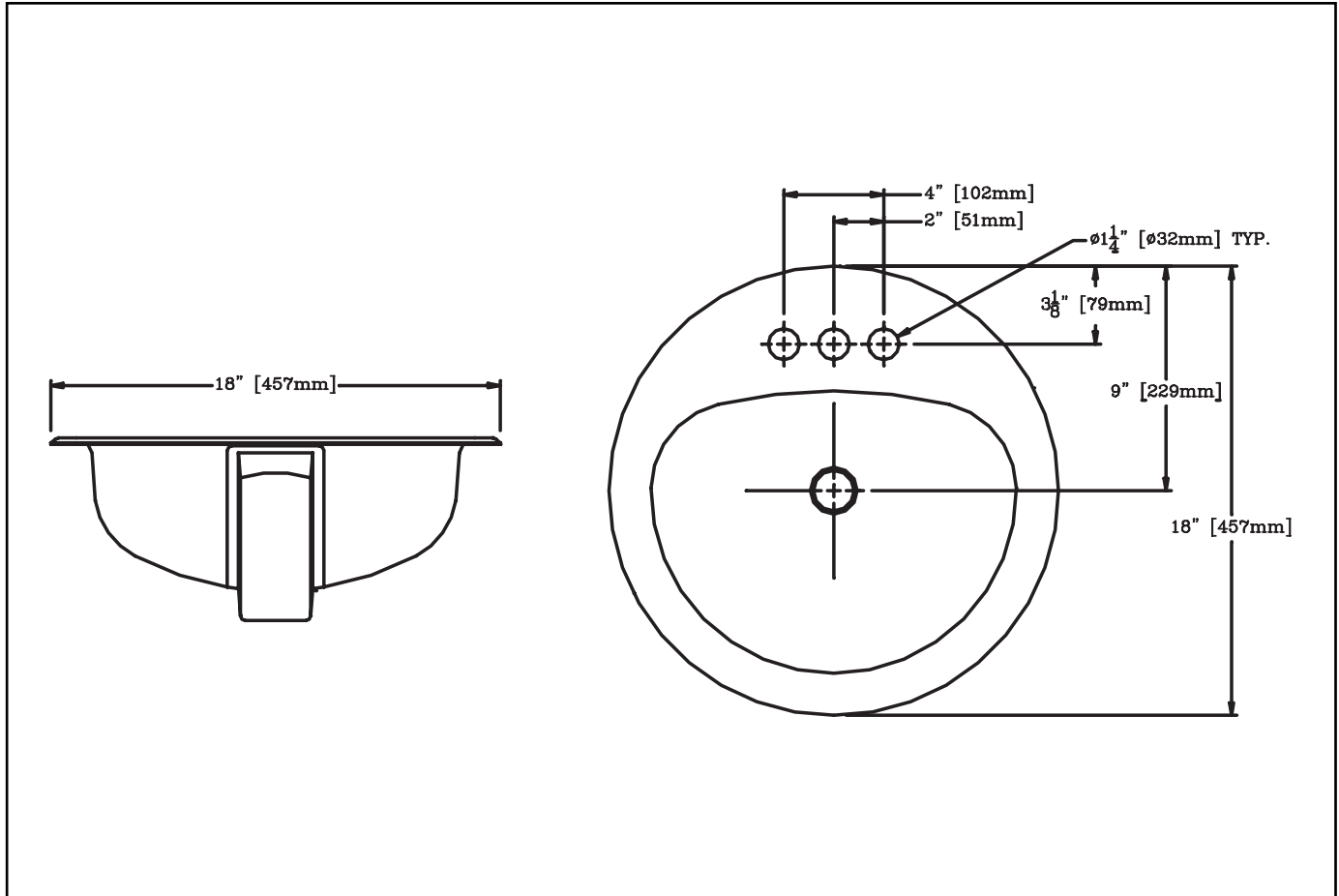
SPECIFICATIONS

- 1-400: Enamelled Steel Lavatory
18" (457 mm)
4" (102mm) punching

CRANADA™ ENAMELLED STEEL LAVATORY

A timeless round countertop lavatory made of stain and acid resistant porcelain enameled steel. Elegant yet affordable, this lavatory comes with a "D" shaped basin cavity and incorporates a rust-proof overflow. Pivoting clamps are included for easy installation.

Rough-In Specifications



Important: Dimensions may vary plus or minus 1/4" (6mm) and are subject to revisions.

Physical Properties

MODEL	PUNCHING	BASIN SHAPE	BASIN OUTSIDE DIMENSION	BASIN INSIDE DIMENSION	SHIPPING WEIGHT
1-400	4" (102 mm)	Round	18" (457 mm)	14-1/2" x 11-1/4" (368 x 286 mm)	9 lbs (4.1 kg)

FEATURES

- Standard 18" Round styling
- 4" (102 mm) centre punching
- Concealed front overflow
- Raised rear ledge minimizes back splash
- Long lasting enamelled steel
- CSA Certified
- Plastic/Rustproof overflow

PRODUCT STANDARDS AND APPROVALS

- The Cranada™ lavatory meets the following standards:
- Canadian Standards Association on Plumbing Fixtures CSA B45