

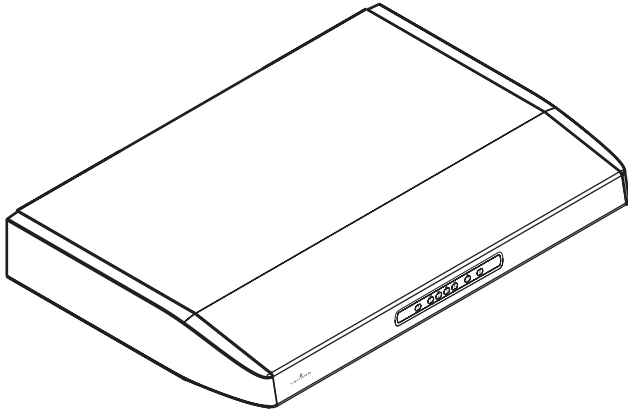


VENMAR V40E SERIES RANGE HOOD

Part numbers: V40E30WH, V40E30BL and V40E30SS

500 CFM

1.5 sones at 155 CFM



HB0053

The brand new Venmar V40E Series range hoods are among the slimmest, most elegant hoods on the market. They blend in perfectly with any kitchen decor.

- Electronic control
- 5-minute delay
- 4 ventilation speeds
- 2 blowers for more performance
- 3 intensities halogen lighting
- Smartvent® excessive heat detector function
- Maintenance indicator
- Teflon® non-stick coating
- Full size micromesh filters

WARRANTY

Venmar Ventilation inc. warrants to the original consumer purchaser of its products that such products will be free from defects in material or workmanship for a period of five (5) years from the date of original purchase. This warranty includes in-home service for the first 90 days and workshop service for the remaining warranty time.

AVAILABLE AT:

RANGE HOODS

BLOWERS

- Both motors of the V40E Series range hoods are enveloped in acoustic insulation. This means our range hoods are among the quietest in their category.

FILTERS

- Dishwasher-safe, full size micromesh filters - provide the best grease catching capacity and a stylish finish under the hood.

CONTROL



HC0022

Oval electronic control.

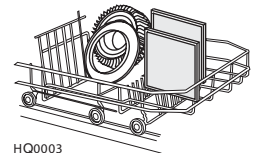
- 5-minute delay switch, stops automatically the hood blower after 5 minutes of operation.
- Four ventilation speeds from quiet operation to high performance.
- Maintenance indicator, tells you when it is time to clean the filters.
- Bright cooktop lighting provided by 2 halogen lamps (not included), from nightlight intensity to full lighting.

OPTIONS

- Available in 30" width.
- Offered in three popular appliance colors: White, Black and Stainless Steel.

MAINTENANCE

- The blower wheels and the inlet rings can easily be removed without tool.
- The blower wheels, the inlet rings and the micromesh filters are dishwasher-safe.



HQ0003

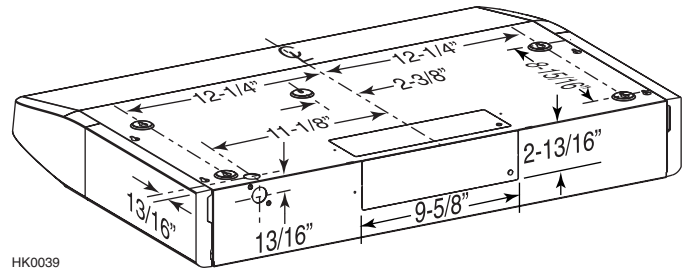
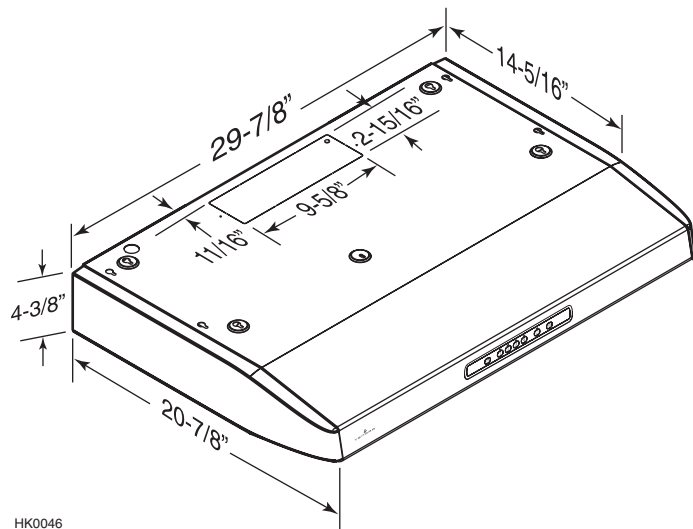
- The inner face of the hood is protected by a Teflon® non-stick coating from DuPont® for a trouble-free cleaning.



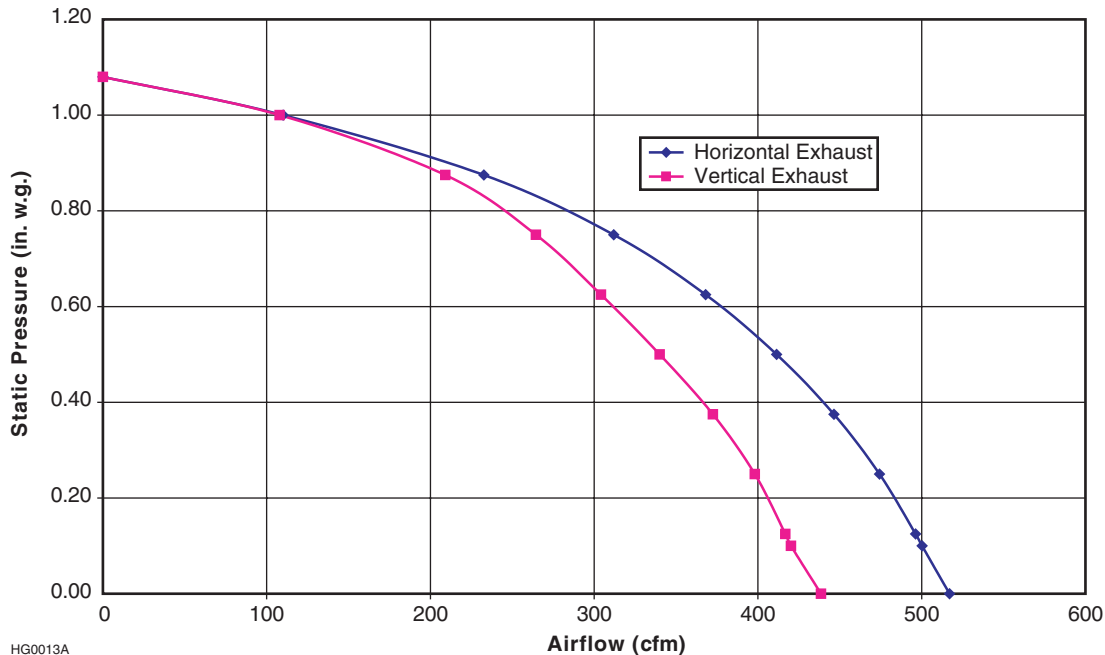
REQUIREMENTS AND STANDARDS

- Complies with the CSA C22.2 no. 113 Standard.
- Complies with UL 507 requirements.

DIMENSIONS AND SERVICE CLEARANCE OF VENMAR V40E SERIES RANGE HOOD



VENTILATION PERFORMANCES



SPECIFICATION AND RATINGS

- Model: V40E
- Part Numbers: V40E30WH, V40E30BL and V40E30SS
- Ducting: 3 1/4" x 10" or 6" round (transition 3 1/4" x 10" to 6" round not included)
- Vertical exhausting: 420 cfm
- Horizontal exhausting: 500 cfm
- Filters: Micromesh
- 1.5 sones at 155 cfm
- 8 sones at 500 cfm
- Power requirements: 120 V AC/60 Hz
- Total hood power consumption: 284 W
- Maximum amperage: 2.4 A
- Cabinet: 24 ga. pre-painted steel or stainless steel
- Lighting: 2 halogen bulbs (50W, GU 10, MR16 or PAR16, shielded, not included)
- Motors: Permanent Split Capacitor

| | | | |
|---------------|---------------|----------|-------------|
| Submitted by: | | Date: | Project: |
| Quantity: | Model number: | Remarks: | Location: |
| | | | Architect: |
| | | | Engineer: |
| | | | Contractor: |

