

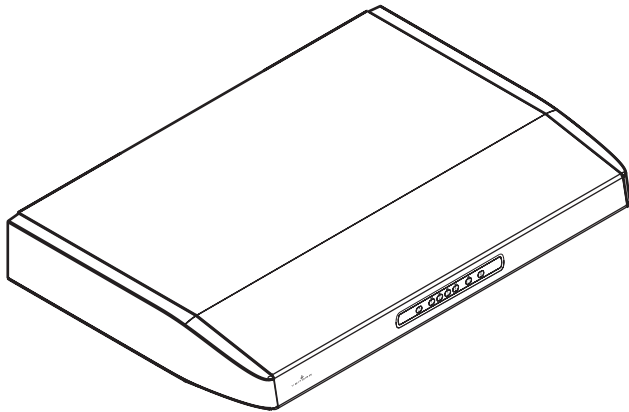


## VENMAR V30 SERIES RANGE HOOD

Part numbers: V3030WH, V3030BL and V3030SS

390 CFM

0.9 sone at 100 CFM



HB0053

The brand new Venmar V30 Series range hoods are among the slimmest, most elegant hoods on the market. They blend in perfectly with any kitchen decor.

- Electronic control
- 5-minute delay
- 4 ventilation speeds
- 3 intensities halogen lighting
- Maintenance indicator
- Teflon® non-stick coating
- Full size micromesh filters

### WARRANTY

Venmar Ventilation inc. warrants to the original consumer purchaser of its products that such products will be free from defects in material or workmanship for a period of five (5) years from the date of original purchase. This warranty includes in-home service for the first 90 days and workshop service for the remaining warranty time.

AVAILABLE AT:

# RANGE HOODS

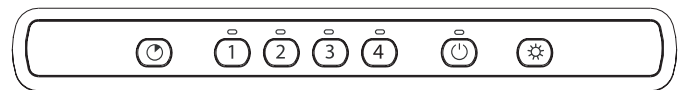
## BLOWER

- Our motor is enveloped in acoustic insulation. This means that the noise level of the V30 Series range hood is less than 1 sone at normal speed. This range hood is among the quietest in its category.

## FILTERS

- Dishwasher-safe, full size micromesh filters - provide the best grease catching capacity and a stylish finish under the hood.

## CONTROL



HC0022

Oval electronic control.

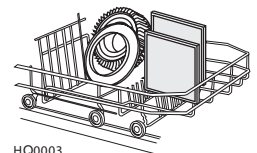
- 5-minute delay switch, stops automatically the hood blower after 5 minutes of operation.
- Four ventilation speeds from quiet operation to high performance.
- Maintenance indicator, tells you when it is time to clean the filters.
- Bright cooktop lighting provided by 2 halogen lamps (not included), from nightlight intensity to full lighting.

## OPTIONS

- Available in 30" width.
- Offered in three popular appliance colors: White, Black and Stainless Steel.
- Charcoal filter units available, fit neatly above range hoods.
  - MOD30W for white 30" range hood.
  - MOD30B for black 30" range hood.
  - MOD30S for stainless steel 30" range hood.

## MAINTENANCE

- The blower wheel and the inlet ring can easily be removed without tool.
- The blower wheel, the inlet ring and the micromesh filters are dishwasher-safe.



HQ0003

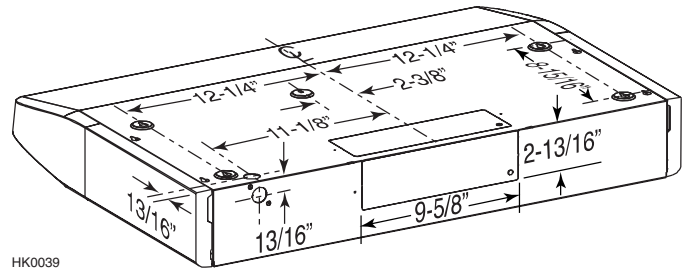
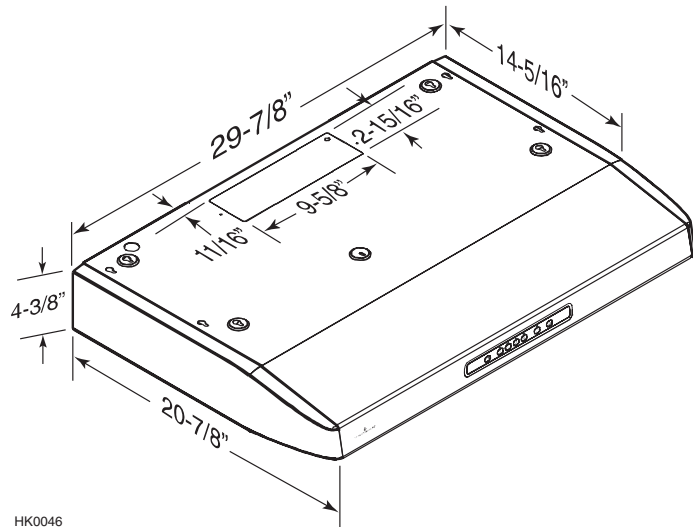
- The inner face of the hood is protected by a Teflon® non-stick coating from DuPont® for a trouble-free cleaning.



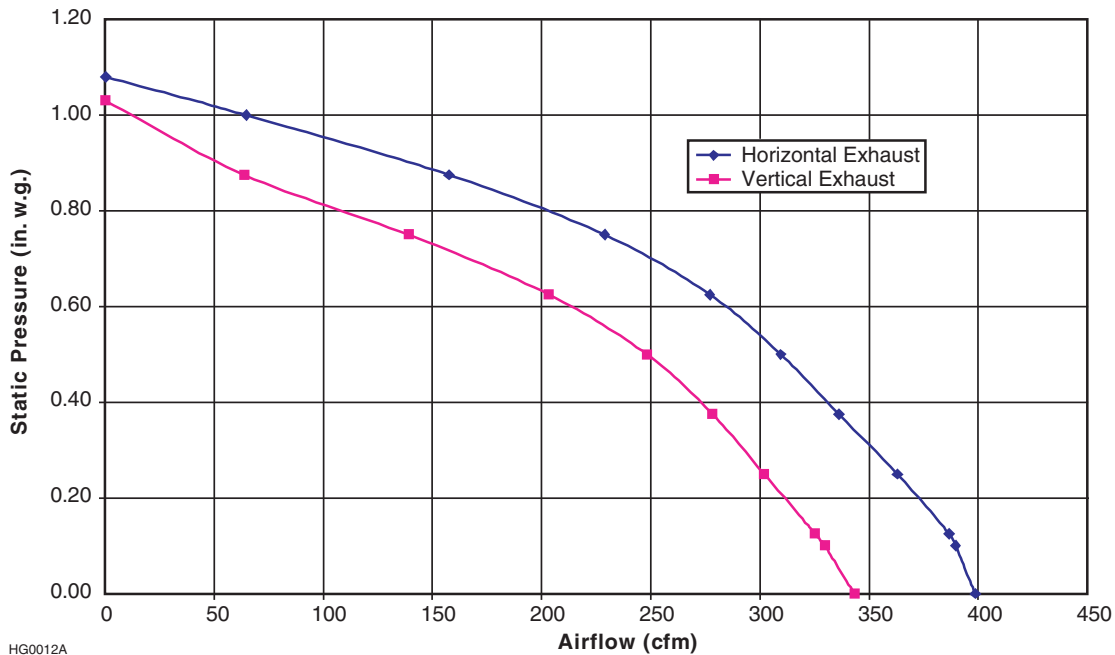
## REQUIREMENTS AND STANDARDS

- Complies with the CSA C22.2 no. 113 Standard.
- Complies with UL 507 requirements.

# DIMENSIONS AND SERVICE CLEARANCE OF VENMAR V30 SERIES RANGE HOOD



## VENTILATION PERFORMANCES



## SPECIFICATION AND RATINGS

- Model: V30
- Part Numbers: V3030WH, V3030BL and V3030SS
- Ducting: 3 1/4" x 10" or 6" round (transition 3 1/4" x 10" to 6" round not included)
- Vertical exhausting: 330 cfm
- Horizontal exhausting: 390 cfm
- Filters: Micromesh
- 0.9 sone at 100 cfm
- 8 sones at 390 cfm
- Power requirements: 120 V AC/60 Hz
- Total hood power consumption: 259 W
- Maximum amperage: 2.2 A
- Cabinet: 24 ga. pre-painted steel or stainless steel
- Lighting: 2 halogen bulbs (50W, GU 10, MR16 or PAR16, shielded, not included)
- Motor: Permanent Split Capacitor

Submitted by:		Date:	Project:
Quantity:	Model number:	Remarks:	Location:
			Architect:
			Engineer:
			Contractor:

