



Broan RP1 Series

Presenting Broan's newest pro-style hood.
 Never before have appearance and value come together so elegantly.

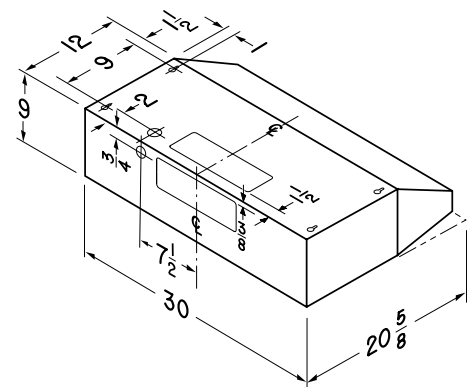
- Brushed stainless steel finish
- 9" Pro-style hood height for excellent capture
- Two-speed rocker switch control
- 30" width
- Internal 440 CFM centrifugal blower
- Two-level dual 50-watt halogen lighting (GU10 bulbs purchased separately)
- Heat Sentry™ is a smart feature that detects excessive heat and adjusts speed to high automatically
- Dishwasher-safe micromesh filters

SPECIFICATIONS

WIDTH	STAINLESS STEEL	VOLTS	AMPS	CFM Max/Min	SONES Max/Min	DUCT
30"	RP130SSC	120	7.0	440/120	7.0/0.5	3 1/4" x 10"

OPTIONS

97017455	Replacement grease filters
ARP310	Air flow reducer (limits the airflow of the hood under 300 CFM)



Dimensions shown are in inches.



861988 09/09

