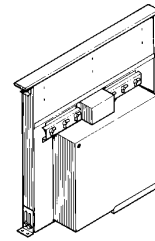


BROAN *ELITE* DOWNDRAFT MODELS RMDD3004, RMDD3604, RMDD4804



Exhaust your cooktop without the use of an overhead hood. Compact design is installed directly behind cooktop.

FEATURES

HOUSING:

- Rugged steel construction
- Finished with silver paint
- Space-saving—can be used with most cooktops on the market
- 30" (762 mm), 36" (914 mm), or 48" (1219 mm) widths—Fits standard size cabinets

BLOWER:

- Dynamically-balanced 9 $\frac{1}{8}$ " dia. x 2 $\frac{1}{8}$ " (241 mm dia. x 54 mm) centrifugal blower wheel for quiet, efficient performance
- Permanently lubricated, thermally-protected motor
- Neoprene, resilient anti-vibration mounts
- Unit plugs directly into 120 VAC, 60 Hz, grounded outlet
- Uses standard 3 $\frac{1}{4}$ " x 10" (83 mm x 254 mm) duct connector
- 3-position discharge—scroll box movable to adjust floor joists

CHIMNEY ASSEMBLY:

- Brushed stainless steel cover—just press button to turn unit "ON"
- Chimney rises 9 $\frac{1}{2}$ " (241 mm) when activated—ideal for large pots and pans
- Stylish, stainless steel filters with aluminum mesh—easy to remove and dishwasher-safe
- Stainless steel chimney front and back—makes cleanup quick and easy
- Flush-mounted, infinite rotary speed blower control
- Heat Sentry adjusts speed of blower to HIGH in case of excess heat
- Conveniently located button—press to lower air vent and turn unit "OFF"
- OPTIONAL Remote Control (Model RMDDRBK) activates downdraft from alternate location

TYPICAL SPECIFICATION

Downdraft blower system shall be Broan Elite Model RMDD3004 (RMDD3604) (RMDD4804).

Unit to have steel housing with silver paint finish. Air vent to rise at least 9 $\frac{1}{2}$ " (241 mm) and have a stainless steel front and back for ease of cleaning.

Filters to be stainless steel with aluminum mesh, easy to remove and dishwasher safe.

Blower will connect directly to 3 $\frac{1}{4}$ " x 10" (83 mm x 254 mm) rectangular duct (6" [152 mm] round duct using a transition) Blower discharge to be convertible to accommodate ductwork from LEFT, RIGHT, or BELOW and have 7 $\frac{1}{2}$ " (1915 mm) side to side adjustment.

Motor shall be mounted to blower assembly with grease resistant anti-vibration mounts, be removable, and lifetime lubricated.

Unit to include Heat Sentry, to adjust blower speed to HIGH in case of excess heat and must accept an optional remote control activation button.

Downdraft system shall operate on 120 VAC and be able to be plugged into a standard grounded outlet. It will have an infinite speed blower control.

Air delivery shall be no less than 500 CFM. Air delivery rating shall be certified by HVI. Downdraft blower system to be cULus listed.



HVI-2100 CERTIFIED RATINGS comply with new testing technologies and procedures prescribed by the Home Ventilating Institute, for off-the-shelf products, as they are available to consumers. Product performance is rated at 0.1 in. (2.54 mm) static pressure, based on tests conducted in AMCA's state-of-the-art test laboratory. Sones are a measure of humanly-perceived loudness, based on laboratory measurements.



Broan-NuTone LLC, 926 West State Street, Hartford, WI 53027 USA (1-800-637-1453)
Broan-NuTone Canada Inc., 1140 Tristar Drive, Mississauga, Ontario L5T 1H9 CANADA (1-888-882-7626)

REFERENCE	QTY.	REMARKS	Project
			Location
			Architect
			Engineer
			Contractor
			Submitted by Date

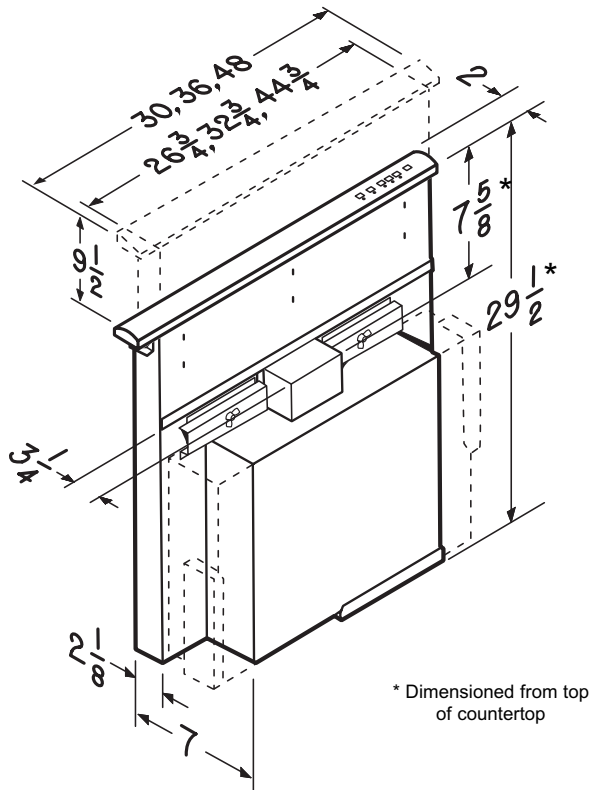
PERFORMANCE RATINGS

MODELS RMDD3004, RMDD3604, RMDD4804 BROAN ELITE DOWNDRAFT

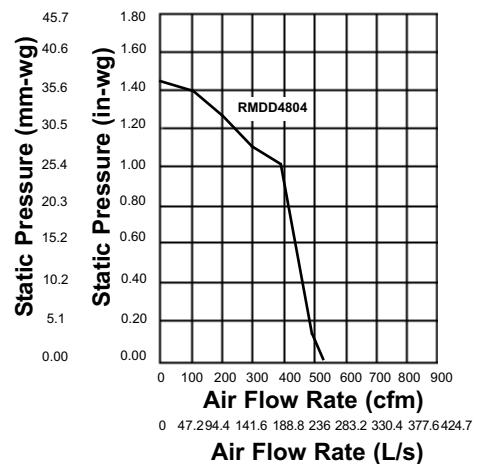
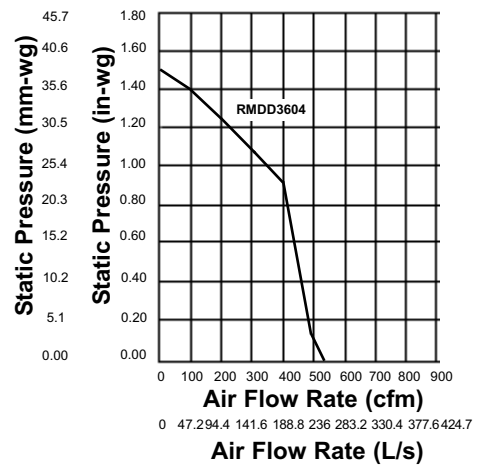
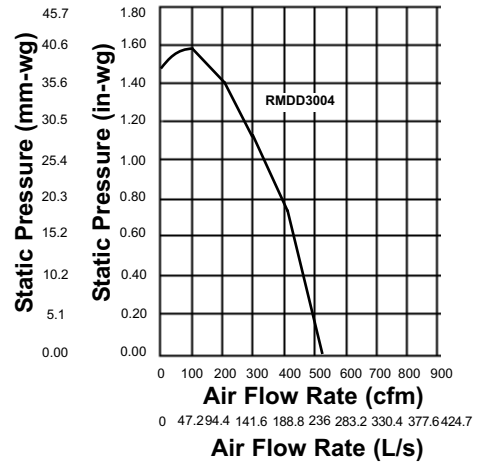
SPECIFICATIONS

MODEL	VOLTS	AMPS	CFM (L/s)	DUCT (mm)
RMDD3004	120	4.0	500 (235.8)	3 1/4" x 10" (83 mm x 254 mm)
RMDD3604	120	4.0	500 (235.8)	3 1/4" x 10" (83 mm x 254 mm)
RMDD4804	120	4.0	500 (235.8)	3 1/4" x 10" (83 mm x 254 mm)

DIMENSIONS



NOTE: Dimensions shown are for reference use only. Before cutting out countertop, refer to instructions packed with downdraft and cooktop.



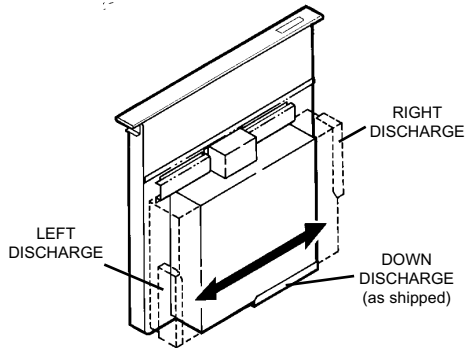
HVI-2100 CERTIFIED RATINGS comply with new testing technologies and procedures prescribed by the Home Ventilating Institute, for off-the-shelf products, as they are available to consumers. Product performance is rated at 0.1 in. (2.54 mm) static pressure, based on tests conducted in AMCA's state-of-the-art test laboratory. Sones are a measure of humanly-perceived loudness, based on laboratory measurements.



INSTALLATION PLANNING — MODELS RMDD3004, RMDD3606 & RMDD4804

DUCTWORK

This downdraft blower system is designed for use with 3¼" x 10" (83 mm x 254 mm) rectangular, or 6" (152 mm) round duct. The blower discharge can be positioned in one of 3 directions with 7½" (191 mm) movement side to side.

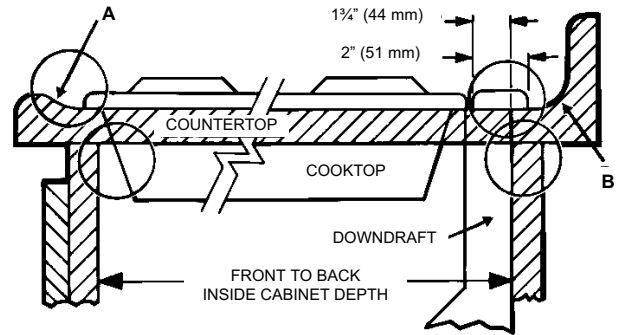


3¼" x 10" (83 mm x 254 mm) to 6" (152 mm)	3¼" x 10" (83 mm x 254 mm)	6" (152 mm)
ROUND TRANSITION	90° ELBOW	ROUND ELBOW
2 FT.	14 FT.	8 FT.

The system will operate most efficiently when the ductwork does not exceed 40 feet of equivalent duct. The chart above, shows equivalent feet of elbows and transitions. The number of feet of straight 3¼" x 10" or 6" duct plus the equivalent feet of elbows or transitions to be used should equal 40 feet or less.

The equivalent feet of various roof and wall caps has been taken into consideration. Do not include them in this calculation.

DOWNDRAFT

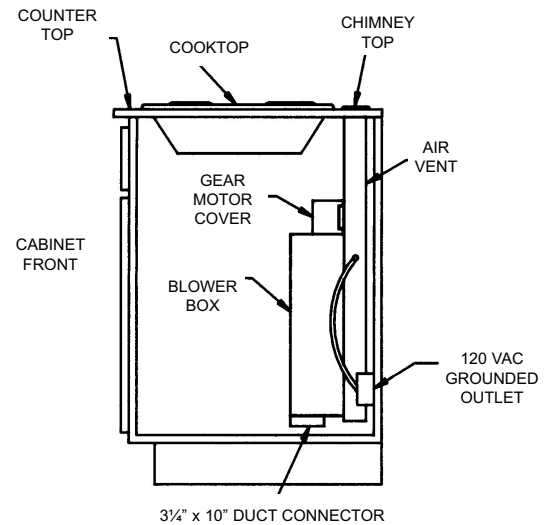


Refer to the cooktop installation instructions for its dimensions, countertop cut-out, and cabinet requirements. The RMDD3004 can be installed in most standard 30" wide cabinets, RMDD3604 can be installed in most 36" wide cabinets and RMDD4804 can be installed in most 48" wide cabinets.

Cooktop depth can vary greatly from one to another. This may cause the fit of these two appliances to be rather tight.

Pay special attention to the 4 areas of potential interference highlighted above. A countertop with (A) a raised lip and/or (B) a backsplash, may not allow enough flat countertop for a proper installation. The back of the downdraft cut-out will be 1¼" from the cooktop and 2" of FLAT countertop is needed behind cooktop.

TYPICAL INSTALLATION



ELECTRICAL

The unit has an 18-in. power cord with a 3-pronged plug. Plan to provide a grounded outlet within reach of this cord.

PRODUCT SPECIFICATION SUBJECT TO CHANGE WITHOUT NOTICE.



HVI-2100 CERTIFIED RATINGS comply with new testing technologies and procedures prescribed by the Home Ventilating Institute, for off-the-shelf products, as they are available to consumers. Product performance is rated at 0.1 in. (2.54 mm) static pressure, based on tests conducted in AMCA's state-of-the-art test laboratory. Sones are a measure of humanly-perceived loudness, based on laboratory measurements.

