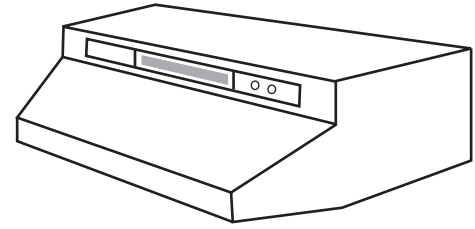


# GP SERIES VARIABLE SPEED RANGE HOOD



Made to exacting standards, the GP Series range hood is ideal for homeowners who cook occasionally yet require a variable speed control for different types of cooking.

**FEATURES**

- Rotary control for variable speed selection
- Units may be installed in three (3) different configurations:
  - 3¼" x 10" duct for either vertical or horizontal exhaust
  - 7" round duct for vertical exhaust
  - Non-ducted—requires charcoal filter no. FKM65 (sold separately)
- Unit includes a 3¼" x 10" adapter/damper
- One 75 W bulb with diffuser provides the cooktop lighting (bulb not included)
- Dual light intensity switch
- Available in 24" and 30" widths (almond, white, stainless steel and white with black trim)
- Dual-speed fan blade motor
- Mitered sides and hemmed bottom for added safety

**TYPICAL SPECIFICATIONS**

The Range Hood shall be Broan GP Series.

It shall be available in 24" and 30" widths, and have a finish in white, almond, stainless steel or white with black trim.

Unit shall have a built in backdraft damper and be ducted to exterior of dwelling either horizontally or vertically, or optionally non-ducted with use of charcoal filter no. FKM65 (purchase separately).

Unit shall have a variable speed fan switch and a separate light switch.

Sides of unit shall be mitered and bottom edged hemmed with no sharp edges for added safety.

Air delivery shall be no less than 190 CFM (89.7 L/s) and sound levels no greater than 8.0 sones (horizontal discharge). All air and sound ratings shall be certified by HVI. Units shall be CSA certified.



HVI-2100 CERTIFIED RATINGS comply with new testing technologies and procedures prescribed by the Home Ventilating Institute, for off-the-shelf products, as they are available to consumers. Product performance is rated at 0.1 in. static pressure, based on tests conducted in AMCA's state-of-the-art test laboratory. Sones are a measure of humanly-perceived loudness, based on laboratory measurements.



Broan-NuTone Canada Inc.; Mississauga, Ontario [www.broan.ca](http://www.broan.ca) 888-882-7626

| Reference | Qty. | Remarks | Project  |
|-----------|------|---------|--|
|           |      |         | Location   |
|           |      |         | Architect  |
|           |      |         | Engineer   |
|           |      |         | Contractor   |
|           |      |         | Submitted by <span style="float: right;">Date</span> |

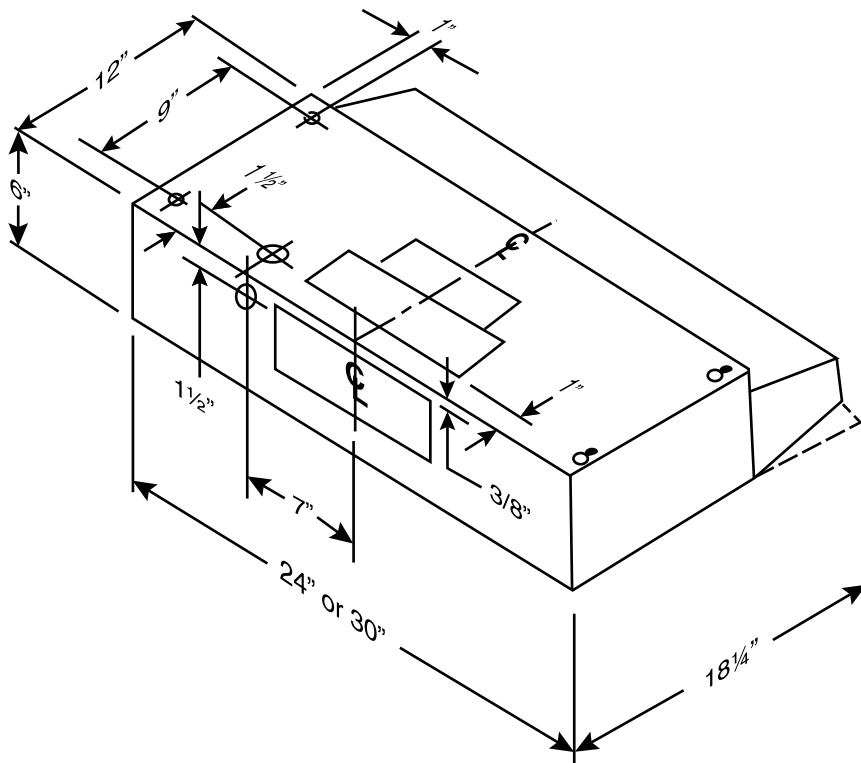
# PERFORMANCE RATINGS — GP SERIES VARIABLE SPEED RANGE HOOD

## SPECIFICATIONS

| VOLTS | AMPS | CFM (L/s)     |               |                | SONES    |            |       | DUCT                         |
|-------|------|---------------|---------------|----------------|----------|------------|-------|------------------------------|
|       |      | VERTICAL      | HORIZONTAL    | ROUND          | VERTICAL | HORIZONTAL | ROUND |                              |
| 120   | 1.9  | 190<br>(89.7) | 190<br>(89.7) | 220<br>(103.8) | 7.0      | 8.0        | 7.0   | 3/4" x 10"<br>OR<br>7" ROUND |
|       |      |               |               |                |          |            |       |                              |

## MODELS AVAILABLE

| WIDTH | ALMOND   | WHITE    | WHITE WITH BLACK TRIM | STAINLESS STEEL |
|-------|----------|----------|-----------------------|-----------------|
| 24"   | GP124ALN | GP124WWN | GP124WHN              | GP124SSN        |
| 30"   | GP130ALN | GP130WWN | GP130WHN              | GP130SSN        |



HVI-2100 CERTIFIED RATINGS comply with new testing technologies and procedures prescribed by the Home Ventilating Institute, for off-the-shelf products, as they are available to consumers. Product performance is rated at 0.1 in. static pressure, based on tests conducted in AMCA's state-of-the-art test laboratory. Sones are a measure of humanly-perceived loudness, based on laboratory measurements.

