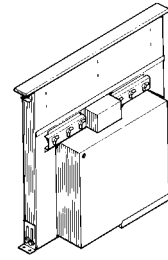


# ECLIPSE™ DOWNDRAFT BLOWER SYSTEM MODELS 2730 & 2736



Exhaust your cooktop without the use of an overhead hood.

### FEATURES

#### HOUSING:

- Rugged steel construction
- Finished with electrically-bonded epoxy paint
- Space-saving—can be used with most cooktops on the market
- 30" or 36" size—Fits standard-size cabinets

#### BLOWER:

- Dynamically-balanced 9½" dia. x 2½" centrifugal blower wheel for quiet, efficient performance
- Permanently lubricated, thermally-protected motor
- Neoprene, resilient antivibration mounts
- Units plug directly into 120 VAC, 60 Hz, grounded outlet
- Uses standard 3¼" x 10" duct connector
- 3-position discharge—scroll box moveable to adjust to floor joists

#### AIR VENT ASSEMBLY:

- Brushed stainless steel cover—just press button to turn unit "ON"
- Designer White or Black doors—available separately
- Air vent rises to 7" from cooktop for optimum removal of cooking contaminants
- Two washable aluminum grease filters
- Stainless steel face plate—makes cleanup quick and easy
- Flush-mounted, infinite speed blower control
- Conveniently located button—press to lower air vent and turn unit "OFF"

### TYPICAL SPECIFICATIONS

Downdraft blower system shall be Broan Model 2730 or 2736.

Unit to have steel housing with electrically-bonded paint finish. Air vent to rise at least 7" and have a stainless steel face plate for ease of cleaning.

Filters to be washable and removable from above.

Blower will connect directly to 3¼" x 10" rectangular duct or 6" round duct using a transition. Blower discharge to be convertible to accommodate ductwork from LEFT, RIGHT or BELOW, and have 7½" side-to-side adjustment.

Motor shall be mounted to blower assembly with grease resistant antivibration mounts, be removable, and lifetime lubricated.

Downdraft system shall operate on 120 VAC and be able to be plugged into a standard grounded outlet. It will have an infinite speed blower control.

Air delivery shall be no less than 500 CFM (236.0 L/s). Air and sound ratings shall be certified by HVI. Units shall be CSA certified.



HVI-2100 CERTIFIED RATINGS comply with new testing technologies and procedures prescribed by the Home Ventilating Institute, for off-the-shelf products, as they are available to consumers. Product performance is rated at 0.1 in. (2.54 mm) static pressure, based on tests conducted in AMCA's state-of-the-art test laboratory. Sones are a measure of humanly-perceived loudness, based on laboratory measurements.



Broan-NuTone LLC, 926 West State Street, Hartford, WI 53027 USA (1-800-637-1453)  
Broan-NuTone Canada Inc., 1140 Tristar Drive, Mississauga, Ontario L5T 1H9 CANADA (1-888-882-7626)

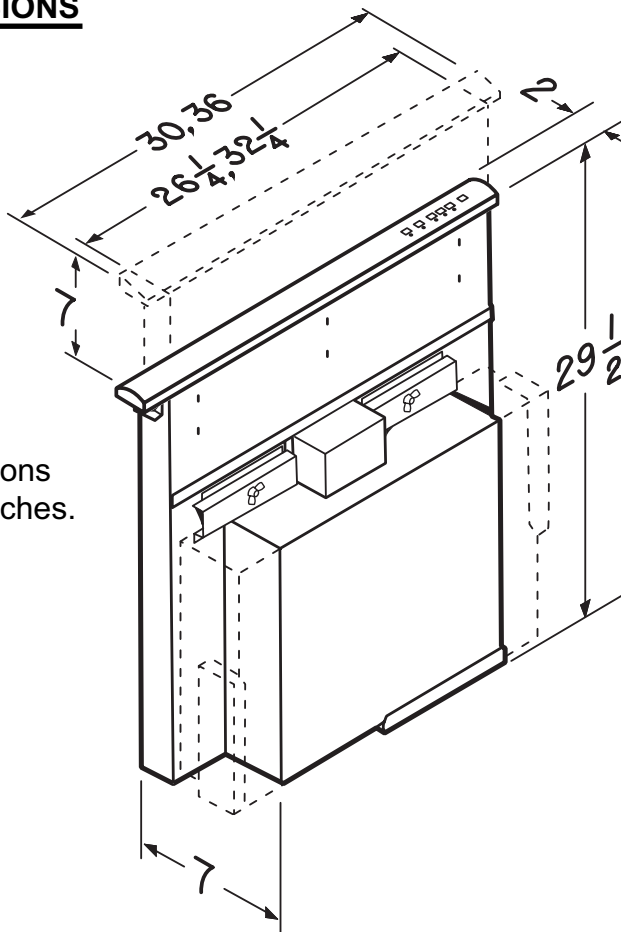
REFERENCE	QTY.	REMARKS	Project
			Location
			Architect
			Engineer
			Contractor
			Submitted by <span style="float: right;">Date</span>

# PERFORMANCE RATINGS — ECLIPSE DOWNDRAFT BLOWER SYSTEM MODELS 2730 & 2736

## SPECIFICATIONS

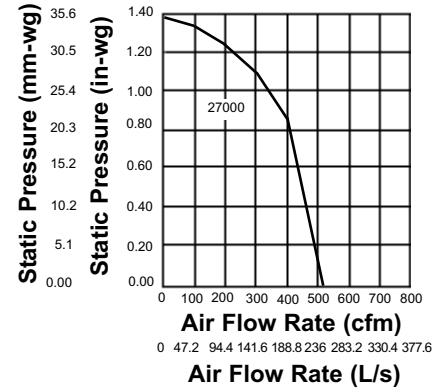
MODEL	VOLTS	AMPS	CFM (L/s)	DUCT (inches)
2730	120	4.0	500 (236.0)	3/4" x 10"
2736	120	4.0	500 (236.0)	3/4" x 10"

## DIMENSIONS



Dimensions are in inches.

NOTE: Dimensions shown are for reference use only. Before cutting out countertop, refer to instructions packed with downdraft and cooktop.



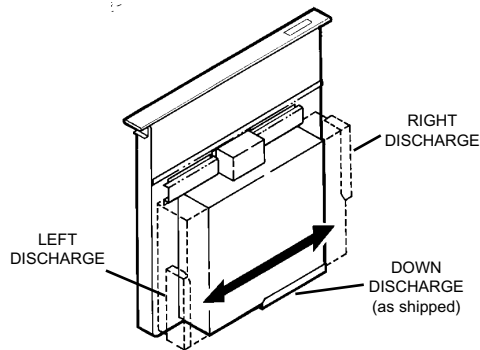
HVI-2100 CERTIFIED RATINGS comply with new testing technologies and procedures prescribed by the Home Ventilating Institute, for off-the-shelf products, as they are available to consumers. Product performance is rated at 0.1 in. (2.54 mm) static pressure, based on tests conducted in AMCA's state-of-the-art test laboratory. Sones are a measure of humanly-perceived loudness, based on laboratory measurements.






# INSTALLATION PLANNING - MODELS 2730 & 2736

## DUCTWORK

This downdraft blower system is designed for use with a 3 1/4" x 10" rectangular or 6" round duct. The blower discharge can be positioned in one of 3 directions with 7 1/2" movement side to side.

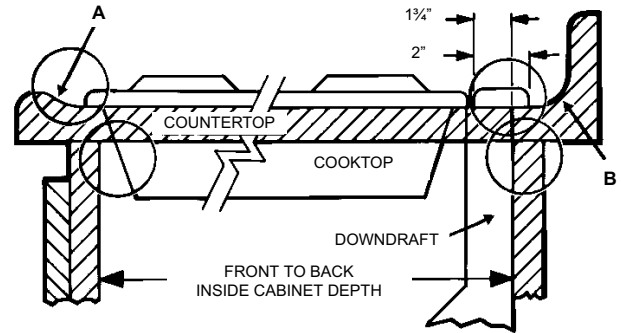


<p>3 1/4" x 10" TO 6" ROUND TRANSITION</p>  <p>2 FT.</p>	<p>3 1/4" x 10" 90° ELBOW</p>  <p>8 FT.</p>	<p>6" ROUND ELBOW</p>  <p>6 FT.</p>
---	--	--

The system will operate most efficiently when the ductwork does not exceed 40 ft. of equivalent duct. The chart above shows equivalent feet of elbows and transitions. The number of feet of straight 3 1/4" x 10" or 6" duct plus the equivalent feet of elbows or transitions to be used should equal 40 feet or less.

The equivalent feet of various roof and wall caps has been taken into consideration. Do not include them in this calculation.

## DOWNDRAFT

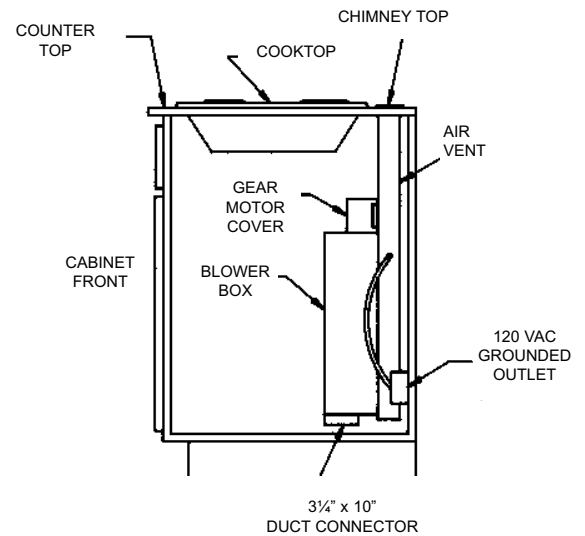


Refer to the cooktop installation instructions for dimensions of cooktop, countertop cut-out and cabinet requirements. The 2730 and 2736 can be installed in most standard 30" and 36" wide cabinets.

Cooktop depth can vary greatly from one to another. This may cause the fit of these two appliances to be rather tight.

Pay special attention to the 4 areas of potential interference highlighted above. The back of the downdraft cut-out will be 1 1/4" from the cooktop and 2" of FLAT countertop is needed behind cooktop.

## TYPICAL INSTALLATION



## ELECTRICAL

The unit has a 2 ft. power cord with a 3-pronged plug. Plan to provide a grounded outlet within reach of this cord. Outlet may also be wall-mounted, with access hole in cabinet. If local codes call for hard-wiring, see installation instructions.

PRODUCT SPECIFICATION SUBJECT TO CHANGE WITHOUT NOTICE.



HVI-2100 CERTIFIED RATINGS comply with new testing technologies and procedures prescribed by the Home Ventilating Institute, for off-the-shelf products, as they are available to consumers. Product performance is rated at 0.1 in. (2.54 mm) static pressure, based on tests conducted in AMCA's state-of-the-art test laboratory. Sones are a measure of humanly-perceived loudness, based on laboratory measurements.

