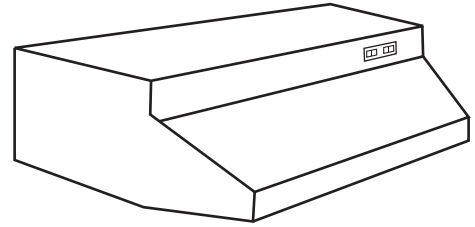


CM SERIES TWO-SPEED DUCTED RANGE HOOD



Constructed with an emphasis on quality and aesthetic appeal, the range hood out-performs the competition either ducted vertically or horizontally.

FEATURES

- Rocker type fan and light switches
- May utilise a 3 1/4" x 10" (82.6 mm X 254 mm) duct for horizontal or vertical ducting
- May also utilise a 7" (177.8 mm) round duct for vertical ducting
- Polymeric blade and light lens (accepts up to 75W bulb)
- Includes a dishwasher-safe aluminum filter
- Mitered sides and hemmed bottom for added safety and visual appeal
- Constructed in a contemporary style with a white on white finish model CM130WWN or be made of stainless steel models CM124SSN and CM130SSN
- Includes a 3 1/4" x 10" (82.6 mm x 254 mm) damper and adapter
- Available in two convenient widths 24" (609.6 mm) and 30" (762 mm)

TYPICAL SPECIFICATIONS

The Range Hood shall be Broan Model CM130WWN, CM124SSN or CM130SSN.

It shall be available in 24" (609.6 mm) and 30" (762 mm) widths.

The Range Hood shall also have a white on white finish on the CM130WWN model or be constructed of stainless steel with the CM124SSN and CM130SSN.

Unit shall have a built-in back draft damper and be ducted to exterior of dwelling either horizontally or vertically. Unit shall have a two-speed fan switch and a separate light switch.

Sides of unit shall be mitered and bottom edged hemmed - with no sharp edges to insure customer safety.

Air delivery shall be no less than 160 CFM (75.5 L/s) and sound levels no greater than 6.5 Sones (vertical) and 6.5 Sones (horizontal). All air and sound ratings shall be certified by HVI. Unit shall be UL listed and CSA certified.



HVI-2100 CERTIFIED RATINGS comply with new testing technologies and procedures prescribed by the Home Ventilating Institute, for off-the-shelf products, as they are available to consumers. Product performance is rated at 0.1 in. static pressure, based on tests conducted in AMCA's state-of-the-art test laboratory. Sones are a measure of humanly-perceived loudness, based on laboratory measurements.



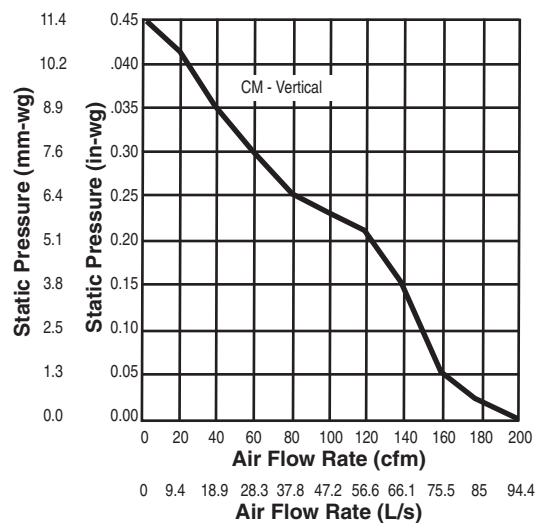
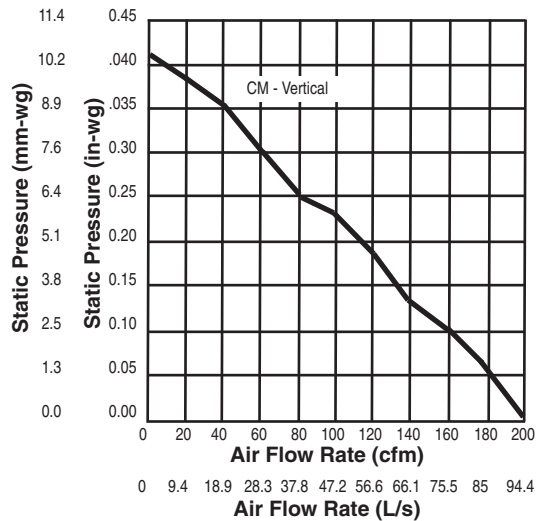
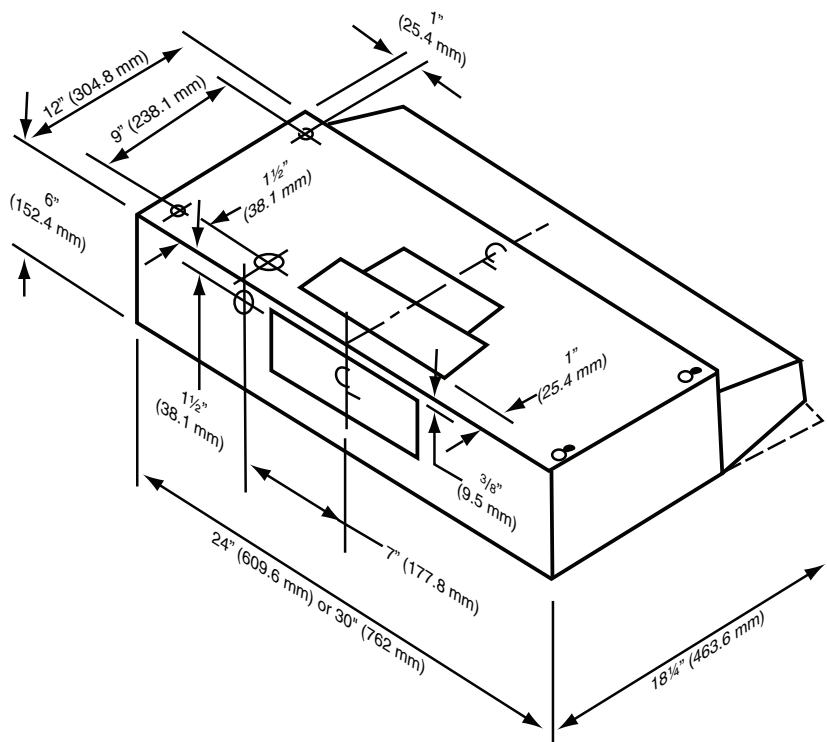
Broan-NuTone Canada Inc., 1140 Tristar Drive, Mississauga, Ontario, Canada L5T 1H9 (1-888-882-7626)

REFERENCE	QTY.	REMARKS	Project:
			Location:
			Architect:
			Engineer:
			Contractor:
			Submitted by: Date:

PERFORMANCE RATINGS — CM SERIES TWO-SPEED DUCTED RANGE HOOD

SPECIFICATIONS

VOLTS	AMPS	CFM (L/s)	SONES	DUCT (mm)
120	1.6	160 (75.5)	6.5	3¼" x 10" (82.6 mm x 254 mm)



HVI-2100 CERTIFIED RATINGS comply with new testing technologies and procedures prescribed by the Home Ventilating Institute, for off-the-shelf products, as they are available to consumers. Product performance is rated at 0.1 in. static pressure, based on tests conducted in AMCA's state-of-the-art test laboratory. Sones are a measure of humanly-perceived loudness, based on laboratory measurements.

