



KING CANADA

3-IN-1 VARIABLE SPEED BLOWER/VACUUM/MULCHER



MODEL: 8500BVM

INSTRUCTION MANUAL

COPYRIGHT © 2010 ALL RIGHTS RESERVED BY KING CANADA TOOLS INC.



WARRANTY INFORMATION

2-YEAR LIMITED WARRANTY FOR THIS 3-IN-1 BLOWER/VACUUM/MULCHER	KING CANADA TOOLS OFFERS A 2-YEAR LIMITED WARRANTY FOR NON-COMMERCIAL USE.
--	---

PROOF OF PURCHASE

Please keep your dated proof of purchase for warranty and servicing purposes.

REPLACEMENT PARTS

Replacement parts for this product are available at our authorized King Canada service centers across Canada.

LIMITED TOOL WARRANTY

King Canada makes every effort to ensure that this product meets high quality and durability standards. King Canada warrants to the original retail consumer a 2-year limited warranty as of the date the product was purchased at retail and that each product is free from defects in materials. Warranty does not apply to defects due directly or indirectly to misuse, abuse, normal wear and tear, negligence or accidents, repairs done by an unauthorized service center, alterations and lack of maintenance. King Canada shall in no event be liable for death, injuries to persons or property or for incidental, special or consequential damages arising from the use of our products.

To take advantage of this limited warranty, return the product at your expense together with your dated proof of purchase to an authorized King Canada service center. Contact your retailer or visit our web site at www.kingcanada.com for an updated listing of our authorized service centers. In cooperation with our authorized serviced center, King Canada will either repair or replace the product if any part or parts covered under this warranty which examination proves to be defective in workmanship or material during the warranty period.

NOTE TO USER

This instruction manual is meant to serve as a guide only. Specifications and references are subject to change without prior notice.

KING CANADA INC. DORVAL, QUÉBEC, CANADA H9P 2Y4

www.kingcanada.com

GENERAL & SPECIFIC SAFETY INSTRUCTIONS FOR BLOWER/VACUUM/MULCHER



1. KNOW YOUR TOOL

Read and understand the owners manual and labels affixed to the tool. Learn its application and limitations as well as its specific potential hazards.

2. KEEP GUARDS IN PLACE.

Keep in good working order, properly adjusted and aligned.

3. KEEP WORK AREA CLEAN.

Cluttered areas and benches invite accidents. Make sure the floor is clean and not slippery due to wax and sawdust build-up.

4. DON'T USE IN DANGEROUS ENVIRONMENT.

Don't use power tools in damp or wet locations, or expose them to rain. Keep work area well lit and provide adequate surrounding work space.

5. KEEP CHILDREN AWAY.

All visitors should be kept a safe distance from work area.

6. MAKE WORKSHOP CHILD-PROOF.

-with padlocks, master switches or by removing starter keys.

7. DON'T FORCE TOOL.

It will do the job better and safer at the rate for which it was designed.

8. USE PROPER EXTENSION CORD

Make sure the extension cord is in good condition. When using an extension cord, be sure to use one heavy enough to carry the current your tool will draw. An undersized cord will cause a drop in line voltage resulting in loss of power and overheating. See electrical information page for table showing correct size to use depending on the cord length and the nameplate amperage rating. If in doubt, use the next heavier gauge. The smaller the gauge number, the heavier the cord.

9. WEAR PROPER APPAREL.

Do not wear loose clothing, gloves, neckties or jewelry (rings,

watch) which may get caught in moving parts. Non-slip footwear is recommended. Wear protective hair covering to contain long hair. Roll up long sleeves above the elbows.

10. ALWAYS WEAR SAFETY GLASSES.

Also use a face or dust mask if cutting operation is dusty. Always wear safety glasses (ANSI Z87.1). Everyday eyeglasses only have impact resistant lenses, they are **NOT** safety glasses.

11. DON'T OVERREACH.

Keep proper footing and balance at all times.

12. MAINTAIN TOOL WITH CARE.

Keep tools sharp and clean for best and safest performance. Follow instructions for lubricating and changing accessories.

13. DISCONNECT TOOLS.

Before servicing, when changing accessories or attachments.

14. AVOID ACCIDENTAL STARTING.

Make sure the switch is in the "OFF" position before plugging in.

15. USE RECOMMENDED ACCESSORIES.

Consult the manual for recommended accessories. Follow the instructions that accompany the accessories. The use of improper accessories may cause risk of injury to persons.

16. CHECK DAMAGED PARTS.

Before further use of the tool, a guard or other parts that are damaged should be carefully checked to ensure that they will operate properly and perform their intended function. Check for alignment of moving parts, binding of moving parts, breakage of parts, mounting, and any other conditions that may affect its operation. A guard or other parts that are damaged should be properly repaired or replaced.

17. NEVER LEAVE MACHINE RUNNING UNATTENDED. TURN POWER OFF.

Don't leave any tool running until it comes to a complete stop.

SPECIFIC SAFETY RULES

- 1. Make sure your extension cord is in good condition.** When using an extension cord, be sure to use one heavy enough to carry the current your product will draw. A wire gauge size (A.W.G.) of at least 14 is recommended for an extension cord 50' (15m) or less in length. If in doubt, use the next heavier gauge. The smaller the gauge number, the heavier the cord. An undersized cord will cause a drop in line voltage, resulting in loss of power and overheating.
- 2. Do not point the blower nozzle** in the direction of people or pets.
- 3. Never run the unit without proper equipment attached.** Always ensure the blower tubes are installed.
- 4. When not in use,** blower should be stored indoors in a dry, in a secure location out of the reach of children.
- 5. Maintain tool with care.** Keep fan area clean for best and safest performance. Follow instructions for proper maintenance.
- 6. Do not attempt** to clear clogs from tool without first unplugging it.
- 7. Do not pull or carry by cord,** use cord as a handle, or pull cord around sharp edges or corners. Keep cord away from heated surfaces.
- 8. Do not unplug by pulling on cord.** To unplug, grasp the plug, not the cord.
- 9. To reduce risk of electric shock,** do not expose to rain, do not use on wet surfaces. Store indoors.
- 10. Be sure to secure the unit while transporting.**

- 11. Store the unit in a dry area,** locked up to prevent unauthorized use or damage, and stored in a high place, out of the reach of children.
- 12. Never douse or squirt the unit with water** or any other liquid. Keep handles dry, clean and free of debris. Clean after each use. See Maintenance instructions.

WHILE OPERATING AS A BLOWER

Never point the blower in the direction of people or pets, or in the direction of windows. Use extra caution when blowing debris near solid objects such as trees, automobiles and walls.

WHILE OPERATING AS A VACUUM/MULCHER

- Avoid situations that could catch the bag on fire. Do not operate near an open flame. Do not mulch warm ash from fireplaces, barbecue pits, brush piles, etc. Do not mulch discarded cigars or cigarettes unless the cinders are completely cool.

- The unit is designed to pick up dry material such as leaves, grass, small twigs, and bits of paper. Do not attempt to mulch wet debris and/or standing water, because this may result in damage. **To avoid severe damage to the impeller, do not mulch metal, rocks or broken glass.**



GETTING TO KNOW YOUR BLOWER/VACUUM/MULCHER



1. **Blower attachment.** Gets installed to air outlet for blower function.
2. **Variable speed dial.** Adjust air speed (blower mode) or air volume (vacuum/mulcher mode).
3. **Shoulder strap installation area.** For convenience, clip the shoulder strap to the handle before operating.
4. **Extension cord lock system.** Prevent the extension cord from being unplugged during use.
5. **Power cord (polarized).**
6. **Blower air inlet safety guard.** To operate in blower mode, it must be installed to the blower air inlet.
7. **Main vacuum/mulcher collection tube with handle.** To operate in vacuum/mulcher mode, it must be installed to the blower air inlet.
8. **Lower section of vacuum/mulcher collection tube.**
9. **Washable leaf collection bag.**
10. **Leaf collection bag attachment.**
11. **Blower/vacuum/mulcher motor.**
12. **On/Off switch.**

MODEL	8500BVM
Air speed range	180-320 Km/h (112-200 MPH)
Air volume range	110-350 CFM
Mulch ratio	16:1
Impellor size	4-3/4"
Collection bag capacity	45L
No load speed	15,000 RPM
Motor	12 Amp.
Voltage	110V, 1 phase, 60 Hz
Dimensions (LxWxH)	48" x 8" x 38"
Weight	9 lbs

ELECTRICAL INFORMATION



WARNING!

ALL ELECTRICAL CONNECTIONS MUST BE DONE BY A QUALIFIED ELECTRICIAN. FAILURE TO COMPLY MAY RESULT IN SERIOUS INJURY! ALL ADJUSTMENTS OR REPAIRS MUST BE DONE WITH THIS POWER TOOL DISCONNECTED FROM THE POWER SOURCE. FAILURE TO COMPLY MAY RESULT IN SERIOUS INJURY!

POWER SUPPLY

WARNING: YOUR BLOWER/VACUUM/MULCHER IS WIRED AT THE FACTORY FOR 110-120V OPERATION, IT MUST BE CONNECTED TO A 110-120V/15-AMP. TIME DELAY FUSE OR CIRCUIT BREAKER. FAILURE TO CONNECT IN THIS WAY CAN RESULT IN INJURY FROM SHOCK OR FIRE. This Blower/Vacuum/Mulcher is intended for use with a polarized 2 wire or 3 wire extension cord having an outlet and a plug which looks like the one illustrated in Fig.1.

SAFETY WARNINGS AND INSTRUCTIONS: POLARIZED PLUG

To reduce the risk of electric shock, this Blower/Vacuum/Mulcher comes with a polarized 120V plug (one blade is wider than the other). It must be used with a suitable polarized 2 wire or 3 wire extension cord. Polarized connections will fit together only one way. Make sure that the receptacle end of the extension cord has large and small blade slot widths. If the plug does not fit fully into the extension cord, reverse the plug. If it still does not fit, obtain a suitable extension cord. If the extension cord does not fit fully in the outlet, contact a qualified electrician to install the proper outlet. Do not modify the tool plug or extension cord in any way.

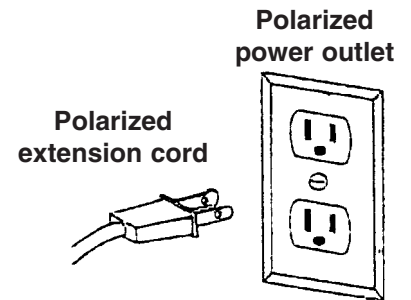


FIGURE 1

USE PROPER EXTENSION CORD

Make sure the extension cord is in good condition. When using an extension cord, be sure to use one heavy enough to carry the current your tool will draw. An undersized cord will cause a drop in line voltage resulting in loss of power and overheating. See Fig.2 for table showing correct size to use depending on the cord length and the nameplate amperage rating. If in doubt, use the next heavier gauge. The smaller the gauge number, the heavier the cord. Always use U.L. or CSA listed extension cords.

WARNING: Replace damaged cords immediately. Use of damaged cords can shock, burn or electrocute.

Tool's Amperage Rating	Cord Size in A.W.G.			
	Cord Length in Feet			
	25	50	100	150
3-6	18	16	16	14
6-8	18	16	14	12
8-10	18	16	14	12
10-12	18	16	14	12
12-16	14	12	-	-

FIGURE 2

CONNECTING THE POWER CORD TO EXTENSION CORD

Secure the extension cord (A) Fig.3 to the extension cord lock (B) on the motor housing. First bend the end of the extension cord and then pass it through the cord lock opening (C). Then slip the extension cord around the "T" notch cord lock (B) and pull on the extension cord to get a tight fit. This will prevent accidental unplugging of the extension cord during use. Then plug the female end of the extension cord into the tool's polarized plug.

WARNING! To reduce risk of electric shock, do not expose to rain, do not use on wet surfaces. Store indoors.

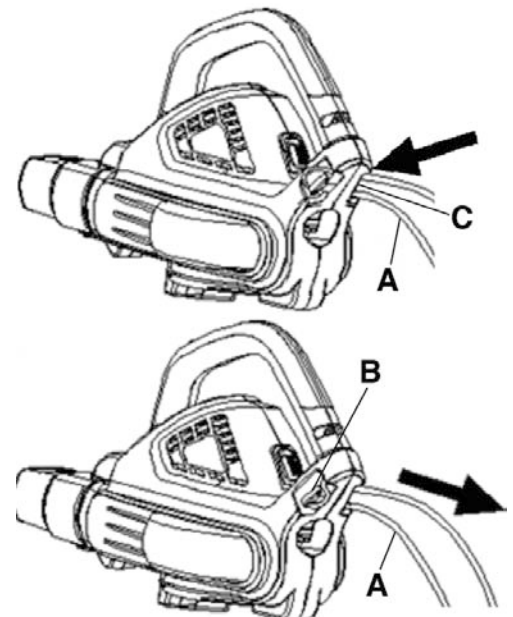


FIGURE 3



ASSEMBLY

BLOWER MODE

Align the grooves on the blower tube (A) Fig.4 with the grooves on the blower outlet (B). Push the blower tube onto the blower outlet until it clicks into position.

Warning! The blower inlet and outlet both have a built-in limit switch which prevents the blower from starting if the blower tube (A) and the blower inlet safety guard (C) are not installed or not installed properly. Make sure the blower tube and blower inlet safety guard are installed before attempting to use the blower.

To install the blower inlet safety guard (A) Fig.5 to the blower inlet, position the blower inlet safety guard over the blower inlet, rotate the safety guard approximately 90 degrees. Make sure the safety guard has engaged the blower inlet grooves, at this point you must not be able to lift the safety guard upwards. Make sure the limit switch actuator (B) engages the inner limit switch, then lock the blower inlet safety guard using the locking clip (C). The blower is now ready to use, make sure you have read and understood the safety and operation instructions before using.

It is recommended to install the adjustable shoulder strap (D) Fig.4 to the blower handle (E).

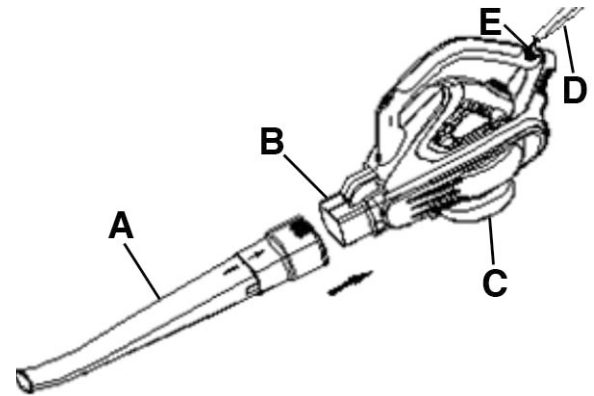


FIGURE 4

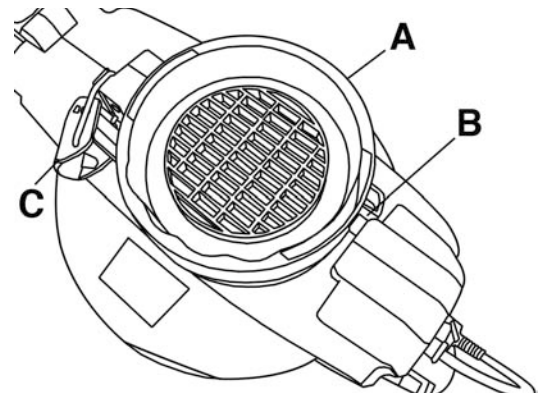


FIGURE 5

VACUUM/MULCHER MODE

Warning! The vacuum/mulcher inlet and outlet both have a built-in limit switch which prevents the vacuum/mulcher from starting if the main collection tube (A) Fig.6 and the collection bag attachment (C) are not installed or not installed properly. Make sure the vacuum/mulcher main collection tube and the collection bag attachment are installed before attempting to use the vacuum/mulcher.

In vacuum/mulcher mode, the main collection tube (A) Fig.6, lower section collection tube (B) and the collection bag attachment (C) with collection bag must be installed. First, remove the blower inlet safety guard (A) Fig.5 (if installed). Then install the main collection tube (A) to the vacuum/mulcher inlet, position the main collection tube over the vacuum/mulcher inlet, rotate the collection tube approximately 90 degrees. Make sure the collection tube has engaged the vacuum/mulcher inlet grooves, at this point you must not be able to lift the collection tube upwards. Make sure the limit switch actuator engages the inner limit switch, then lock the collection tube using the locking clip (refer to "B" & "C" Fig.5).

Install the lower section collection tube (B) Fig.6 to the main collection tube (A). Align the grooves on both collection tubes and push them together until they click into position.

Then install the collection bag and attachment (C) Fig.6 to the vacuum/mulcher outlet (D). Align the grooves on the collection bag attachment with the grooves on the vacuum/mulcher outlet. Push the collection bag attachment onto the vacuum/mulcher outlet until it clicks into position. Attach the collection bag buckle to the clip on the lower section collection tube. The vacuum/mulcher is now ready to use, make sure you have read and understood the safety and operation instructions before using.

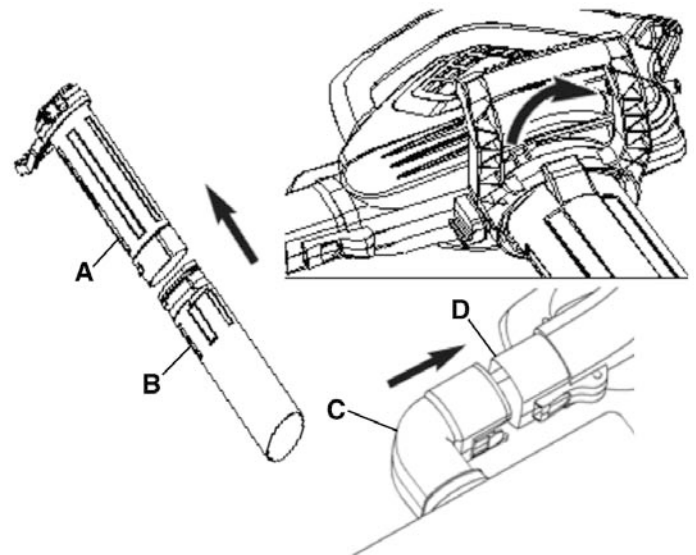


FIGURE 6

It is recommended to install the adjustable shoulder strap (D) Fig.4 to the vacuum/mulcher handle (E).

OPERATION



STARTING AND STOPPING

Refer to the Electrical Information page for the installation and connection of the power cord.

Warning! To avoid serious personal injury, always wear safety glasses. Wear a facial mask in dusty locations and wear appropriate clothing such as boots, gloves, long pants and long-sleeved shirt.

In either blower mode or vacuum/mulcher mode, move the On/Off switch (A) Fig.7 to the On position to turn blower on. Move the On/Off switch to the Off position to turn blower off.

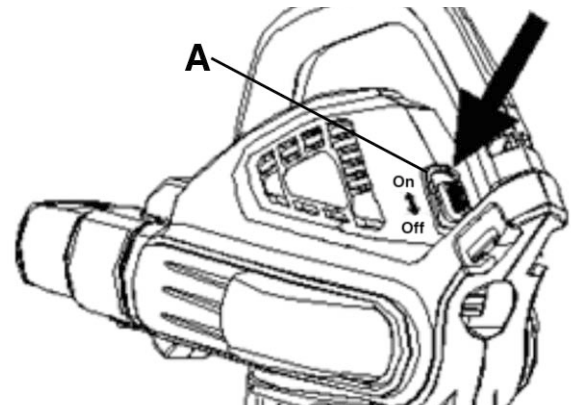


FIGURE 7

VARIABLE SPEED DIAL

This blower/vacuum/mulcher comes with a variable speed dial (A) Fig.8 which controls the amount of air flow during use (blower or vacuum/mulcher mode). Fig.8 shows which direction to turn the variable speed dial to increase or decrease the air flow when in blower mode. In vacuum/mulcher mode, it is the opposite.

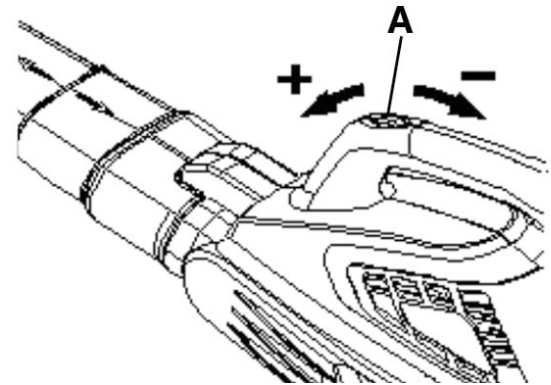


FIGURE 8

HOLDING THE BLOWER/VACUUM/MULCHER

In Blower Mode- Hold the blower tube approximately 7" above the ground and turn the switch to the On position to start. In a sweeping motion, move the blower side-to-side, advancing slowly keeping the leaves, grass etc. in front of you. Once all debris is in a pile, you can now convert your blower to vacuum/mulcher mode to collect the debris for disposal.

In Vacuum/Mulcher Mode- Tilt the vacuum/mulcher tube slightly and use a sweeping motion, move the vacuum/mulcher tube side-to-side and turn the switch to the On position to start. Small debris will flow into and through the vacuum tube into the collection bag. Larger debris such as leaves and small twigs will be mulched as they pass through the impeller housing.

Once the collection bag gets full, the suction power will decrease, to avoid this, turn off vacuum/mulcher and unplug the extension cord. Unzip the collection bag and empty its contents before continuing to operate.

CAUTION: NEVER UNZIP THE COLLECTION BAG WITHOUT FIRST TURNING OFF AND UNPLUGGING THE VACUUM/MULCHER.

NOTE: If the suction decreases and the bag is not full, the vacuum collection tube is probably clogged with debris. Turn off and unplug the vacuum/mulcher and clear the collection tube before continuing.



MAINTENANCE

MAINTENANCE

WARNING: For your own safety, turn switch “OFF” and remove extension cord plug from power source outlet before maintaining your blower/vacuum/mulcher.

WARNING: All repairs, electrical or mechanical, should be attempted only by trained repairmen. Contact the nearest King Canada Service Center. Use only identical replacement parts, any other may create a hazard. If the power cord is worn or cut, or damaged in any way, have it replaced immediately.

COLLECTION BAG

CAUTION: NEVER UNZIP THE COLLECTION BAG WITHOUT FIRST TURNING OFF AND UNPLUGGING THE VACUUM/MULCHER.

NOTE: If the suction decreases and the bag is not full, the vacuum collection tube is probably clogged with debris. Turn off and unplug the vacuum/mulcher and clear the collection tube before continuing.

CLEANING AND STORAGE- TURN OFF AND UNPLUG TOOL! (Unplug extension cord at power source.)

Use only mild soap and a damp cloth to clean the tool. Clean out any clippings which may have accumulated inside the blower/vacuum/mulcher. When used properly with dry leaves the impeller housing should remain clean. If damp earth and debris are vacuumed, some of the particles may build up on the inside of the impeller housing. If this happens, the performance of the unit will decrease. This area can be cleaned out by gently wiping out with a damp rag after disconnecting from the power source. Your blower/vacuum/mulcher should be stored in a dry place.

WARNING: Certain cleaning agents and solvents can damage plastic parts. Some of these are: gasoline, carbon tetrachloride, chlorinated cleaning solvents, ammonia and household detergents which contain ammonia. Avoiding use of these and other types of cleaning agents will minimize the possibility of damage.

CAUTION: DO NOT POUR OR SPRAY WATER ON THE TOOL IN AN ATTEMPT TO CLEAN. Never let any liquid get inside the tool; never immerse any part of the tool into a liquid. Do not store the tool on or adjacent to fertilizers or chemicals. Such storage can cause rapid corrosion of the metal parts.

PARTS DIAGRAM & PARTS LISTS

Refer to the Parts section of the King Canada web site for the most updated parts diagram and parts list.