

**A curtain of warm air to block out the cold!**

No other heating unit has been as successful in solving installation problems as the Ceiling Fan Heater. Are you lacking space by your patio door? Is your entrance too small for a baseboard? Is your bay window fogging up? The Ceiling Fan Heater is your answer.

It recesses discreetly into the ceiling and throws down a curtain of warm air to block the entry of exterior cold air in order to maintain a comfortable temperature. Thanks to its carefully rounded corners, the grill blends in harmoniously with the ceiling.



**{features}**

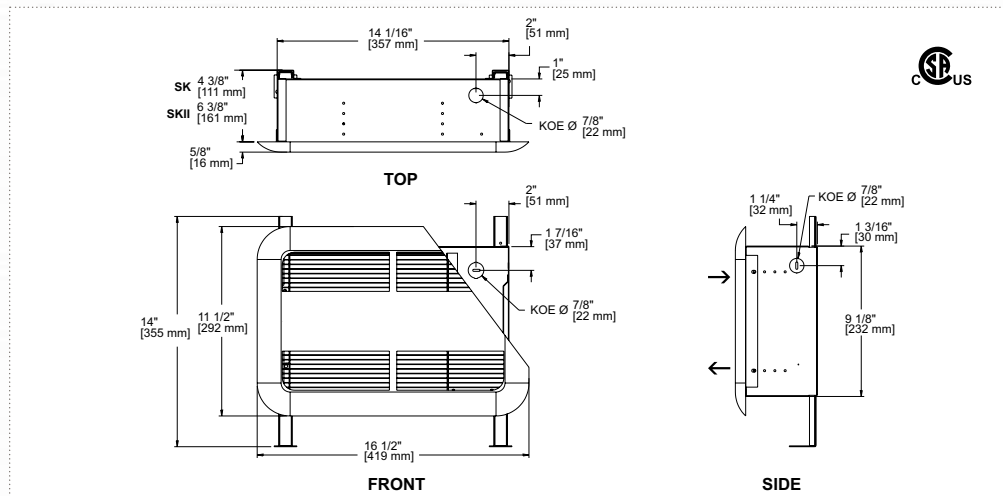
<b>color</b>	white (W) or almond (A)
<b>finish</b>	epoxy-polyester powdercoat
<b>manufacturing</b>	<ul style="list-style-type: none"> <li>· 1/4 in. deep front grille</li> <li>· easy access for maintenance purposes (no screws)</li> </ul>
<b>thermal protection</b>	<ul style="list-style-type: none"> <li>· thermal protection with automatic reset</li> <li>· one-time thermal fuse</li> </ul>
<b>wattage &amp; voltage</b>	see the selection table
<b>element</b>	open-coil, nichrome element producing instant heat
<b>control</b>	<ul style="list-style-type: none"> <li>· built-in thermostat (not included)</li> <li>· wall thermostat (not included)</li> <li>· 60-minute timer (not included)</li> </ul>
<b>installation</b>	<ul style="list-style-type: none"> <li>· ceiling mounting (9 feet maximum)</li> <li>· surface-mounted with surface adapter - optional (not included)</li> <li>· recessed or surface-mounted with adapter for suspended ceiling - optional (not included)</li> <li>· unit can be mounted parallel or perpendicular to ceiling beams</li> </ul>
<b>warranty</b>	<ul style="list-style-type: none"> <li>· 10 years (element)</li> <li>· 1 year (unit)</li> </ul>

**{accessories}**

code	description
<b>SKT1*</b>	tamper-proof built-in thermostat (grille must be removed to access this type of thermostat)
<b>SKTBA</b>	adapter for suspended ceiling (2 x 2 feet) (recessed or surface-mounted)
<b>SKSA</b>	surface adapter (SK model)
<b>SKSAII</b>	surface adapter (SKII model)
<b>FD60MCW70</b>	60-minute wall timer

add W for white or A for almond  
\* factory installed

**{technical drawing}**



**heating from the ceiling**  
increase comfort, safety and security

**wall timer**  
a simple and efficient solution for a more selective heating (not included)

**pages 90 to 96**  
wall thermostats & accessories

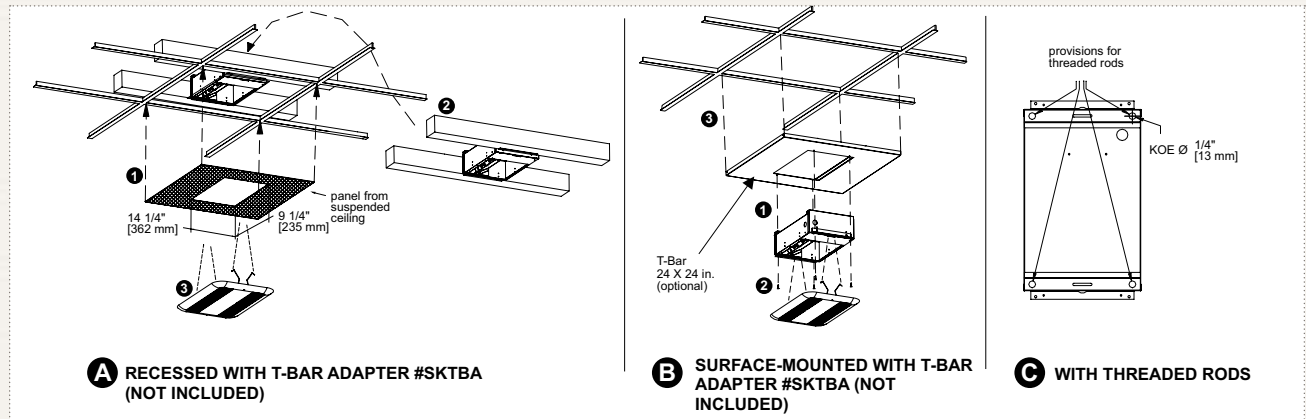
**{selection table}**

without control	24 V control	power	voltage	phase	flow	weight	
code	code	watts	volts	nb.	cfm	kg	lb
SK0501	---	500	120	1	60	5	11
SK0508	---	500	208	1	60	5	11
SK0502	---	500/375	240/208	1	60	5	11
SKII0507	---	500	277	1	60	5	11
SK0751	---	750	120	1	60	5	11
SK0758	---	750	208	1	60	5	11
SK0752	---	750/560	240/208	1	60	5	11
SKII0757	---	750	277	1	60	5	11
SK1001	---	1000	120	1	60	5	11
SK1008	---	1000	208	1	60	5	11
SK1002	---	1000/750	240/208	1	60	5	11
SKII1007	---	1000	277	1	60	5	11
---	SKII1003C24	1000	347	1	60	5	11
SK1251	---	1250	120	1	60	5	11
SK1258	---	1250	208	1	60	5	11
SK1252	---	1250/940	240/208	1	60	5	11
SKII1257	---	1250	277	1	60	5	11
---	SKII1253C24	1250	347	1	60	5	11
SK1501	---	1500	120	1	60	5	11
SK1508	---	1500	208	1	60	5	11
SK1502	---	1500/1125	240/208	1	60	5	11
SKII1507	---	1500	277	1	60	5	11
---	SKII1503C24	1500	347	1	60	5	11
---	---	2000	120	1	90	5	11
SK2008	---	2000	208	1	90	5	11
SK2002	---	2000/1500	240/208	1	90	5	11
SKII2007	---	2000	277	1	90	5	11
---	SKII2003C24	2000	347	1	90	5	11

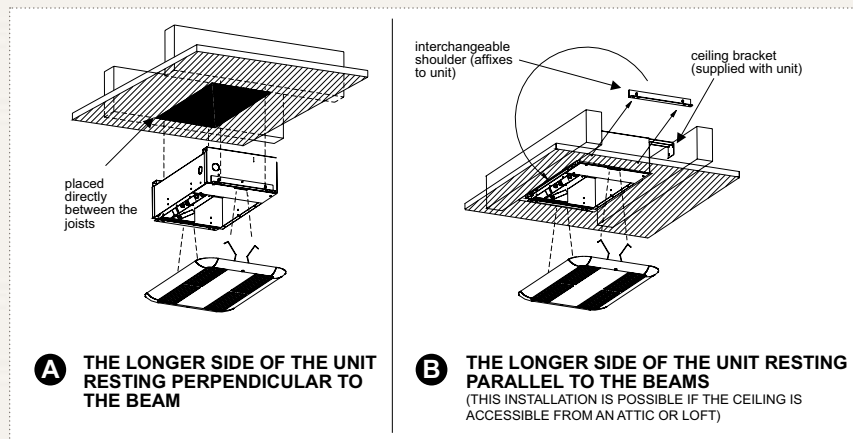
add W for white or A for almond  
 --- not available

**{installation}**

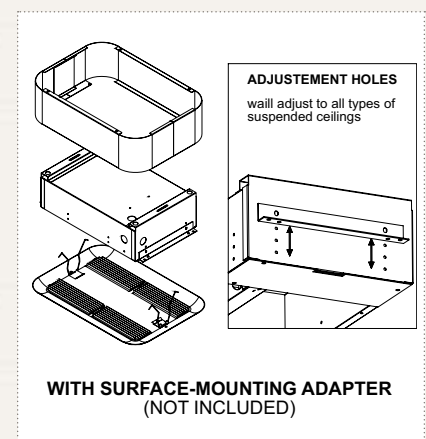
suspended ceiling



finished ceiling



surface



SK