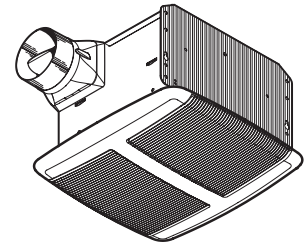


### MODELS QTR090C, QTR110C, QTRE090C, QTRE110C QTR/QTRE SERIES QUIET VENTILATION FAN



Ultra-quiet, high performance bath fan with a modern-styled grille.

#### FEATURES

##### BLOWER:

- Plug-in, permanently lubricated motor—engineered for continuous operation
- Dynamically balanced centrifugal blower wheel for quiet, efficient performance
- Low RPM for quiet operation
- Resilient anti-vibration motor mounts

##### HOUSING:

- Rugged, 26 gauge, galvanized steel construction
- Polymeric, 4" (101.6 mm) round duct connector with tapered sleeve and no metallic clatter
- 7 5/8" (193.7 mm) height allows for 2" x 8" (50.8 mm x 203.2 mm) (nominal) joist installations
- Sturdy, easy, four-point mounting directly to joist
- Includes unique spacer (patent pending) for mounting to engineered "I" joists
- Can be mounted in ceilings up to 12/12 pitch
- Hanger bars assembly included

##### GRILLE:

- Polymeric construction
- Innovative design—the result of extensive research with designers and consumers

3-Year Warranty

#### TYPICAL SPECIFICATION

Ceiling Ventilator shall be Broan Model QTR090C (QTR110C) (QTRE090C) (QTRE110C).

Ceiling Ventilator shall have corrosion resistant galvanized steel housing with four-point mounting capability. It shall be ducted to a roof or wall cap using 4" (101.6 mm) round ductwork.

Blower assembly shall be removable, have a centrifugal-type blower wheel and a permanently lubricated motor designed for continuous operation and mounted with resilient anti-vibration mounts.

Non-metallic damper/duct connector shall be included.

Air delivery shall be no less than 90 CFM (42.5 L/s), 110 CFM (51.9 L/s) and sound level no greater than 1.0 (1.5) (1.0) (1.3) sones. All air and sound ratings shall be certified by HVI.

Ceiling Ventilator shall have an energy efficient permanent split capacitor motor (Model QTR090C only).

Ceiling ventilator shall be ENERGY STAR® qualified (Models QTRE090C & QTRE110C only).

Ceiling Ventilator shall be UL and cUL Listed for use over bathtubs and showers when connected to a GFCI protected branch circuit.



HVI-2100 CERTIFIED RATINGS comply with new testing technologies and procedures prescribed by the Home Ventilating Institute, for off-the-shelf products, as they are available to consumers. Product performance is rated at 0.1 in. static pressure, based on tests conducted in AMCA's state-of-the-art test laboratory. Sones are a measure of humanly-perceived loudness, based on laboratory measurements.



Models QTRE090C & QTRE110C only



Broan-NuTone Canada Inc., Mississauga, Ontario, Canada L5T 1H9 (1-888-882-7626)

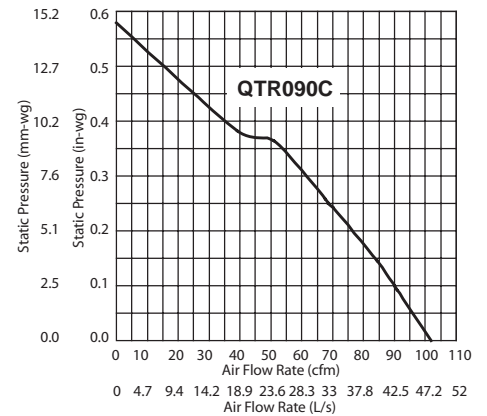
REFERENCE	QTY.	REMARKS	Project
			Location
			Architect
			Engineer
			Contractor
			Submitted by <span style="float: right;">Date</span>

# PERFORMANCE RATINGS

## QTR/QTRE SERIES QUIET VENTILATION FAN

### HVI PERFORMANCE

Model	Sones @ 0.1" (2.5 mm) SP	CFM (L/s) @ 0.1" (2.5 mm) SP	CFM (L/s) @ 0.25" (6.4 mm) SP
QTR090C	1.0	90 (42.5 L/s)	68 (32.1 L/s)
QTR110C	1.5	110 (51.9 L/s)	99 (46.7 L/s)
QTRE090C	1.0	90 (42.5 L/s)	68 (32.1 L/s)
QTRE110C	1.3	110 (51.9 L/s)	99 (45.3 L/s)

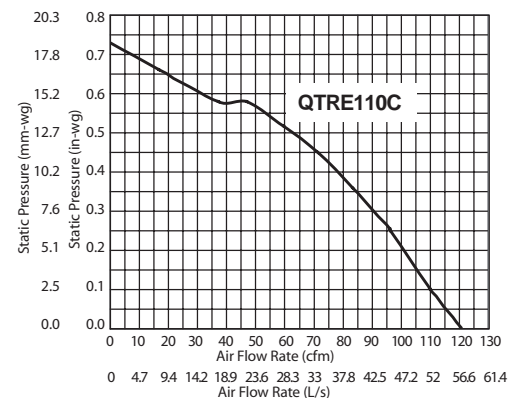
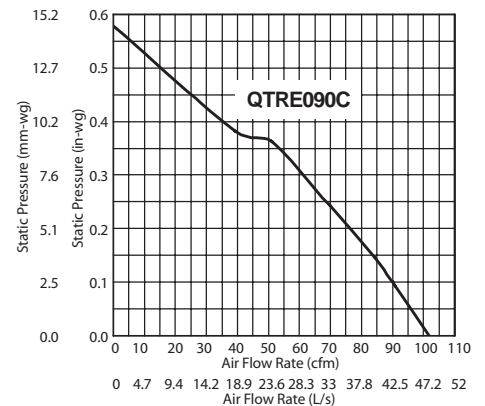
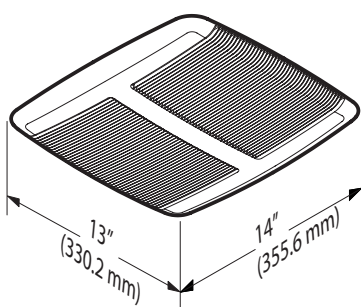
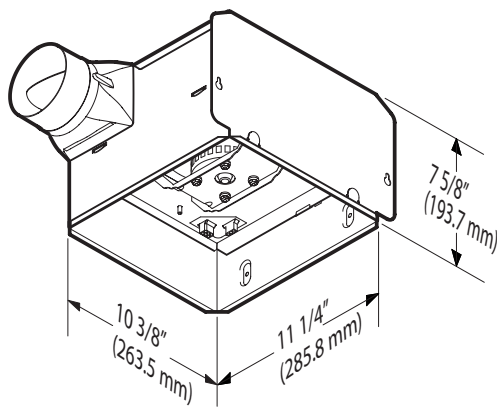
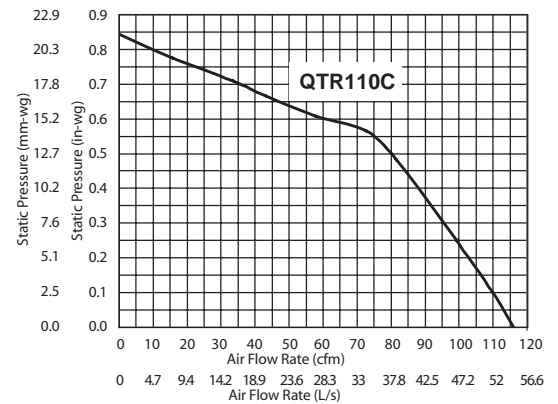


### AMPS & WATTS

Model	Amps	Watts
QTR090C	0.9	27
QTR110C	0.9	71
QTRE090C	0.3	27
QTRE110C	0.4	37

### WEIGHT

Model	Shipping Weight
QTR090C	12.4 lb (5.6 kg)
QTR110C	12.4 lb (5.6 kg)
QTRE090C	11.8 lb (5.4 kg)
QTRE110C	11.8 lb (5.4 kg)



Models QTRE090C &  
QTRE110C only