

CEILING VENTILATORS

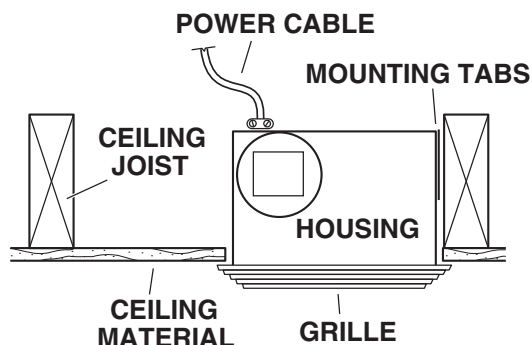
READ AND SAVE THESE INSTRUCTIONS

WARNING

TO REDUCE THE RISK OF FIRE, ELECTRIC SHOCK, OR INJURY TO PERSONS, OBSERVE THE FOLLOWING:

1. Use this unit only in the manner intended by the manufacturer. If you have questions, contact the manufacturer at the address or telephone number listed in the warranty.
2. Before servicing or cleaning unit, switch power off at service panel and lock the service disconnecting means to prevent power from being switched on accidentally. When the service disconnecting means cannot be locked, securely fasten a prominent warning device, such as a tag, to the service panel.
3. Installation work and electrical wiring must be done by a qualified person(s) in accordance with all applicable codes and standards, including fire-rated construction codes and standards.
4. Sufficient air is needed for proper combustion and exhausting of gases through the flue (chimney) of fuel burning equipment to prevent backdrafting. Follow the heating equipment manufacturer's guideline and safety standards such as those published by the National Fire Protection Association (NFPA), and the American Society for Heating, Refrigeration and Air Conditioning Engineers (ASHRAE), and the local code authorities.
5. When cutting or drilling into wall or ceiling, do not damage electrical wiring and other hidden utilities.
6. Ducted fans must always be vented to the outdoors.

TYPICAL INSTALLATIONS



16"-ON-CENTER CEILING JOISTS
Housing mounted directly to joist.

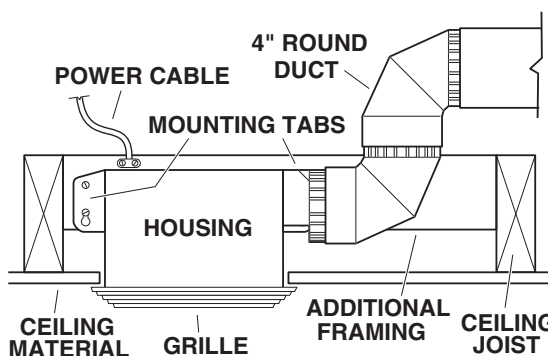
WARNING

7. If this unit is to be installed over a tub or shower, it must be marked as appropriate for the application and be connected to a GFCI (Ground Fault Circuit Interrupter) - protected branch circuit.
8. Never place a switch where it can be reached from a tub or shower.
9. This unit must be grounded.
10. When the federal, provincial or State legislation comprises more restrictive installation and/or certification requirements, the aforementioned requirements prevail on those of this document and the installer agrees to conform to these at his own expenses.

CAUTION

1. For general ventilating use only. Do not use to exhaust hazardous or explosive materials and vapors.
2. To avoid motor bearing damage and noisy and/or unbalanced impellers, keep drywall spray, construction dust, etc. off power unit.
3. Please read specification label on product for further information and requirements.

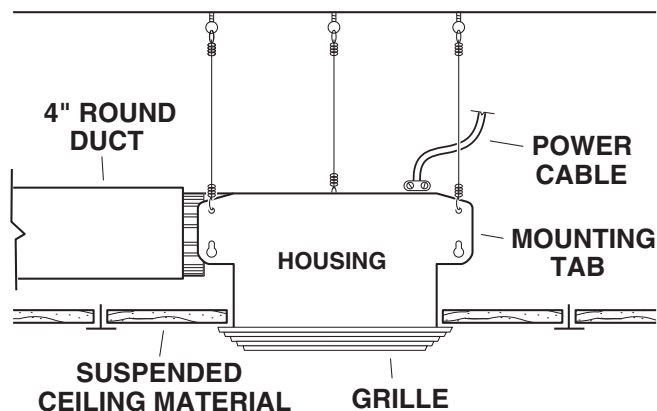
TYPICAL INSTALLATIONS



24"-ON-CENTER CEILING JOISTS
Housing mounted on additional framing.

**Installer: Leave this manual with the homeowner.
Homeowner: Use and Care information on page 4.**

TYPICAL INSTALLATIONS (continued)

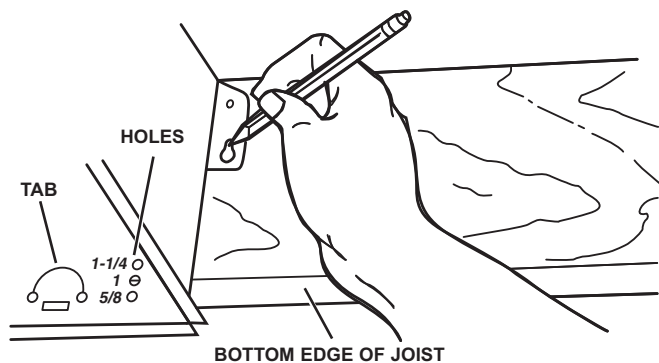


SUSPENDED CEILING
Housing hung with wires - 3-point mount.

INSTALL THE HOUSING

New Construction

1. Choose the location for your fan in the ceiling. For best possible performance, use the shortest possible duct run and a minimum number of elbows.



2. Position mounting tabs against joist so that bottom edge of housing will be flush with finished ceiling.

Additional positioning feature for 5/8", 1" & 1 1/4" thick ceiling material:

Holes in corners of housing are labeled with various ceiling material thicknesses. Position housing so bottom edge of joist is visible through a matched set of holes. The housing is now in the proper position for that ceiling material thickness.

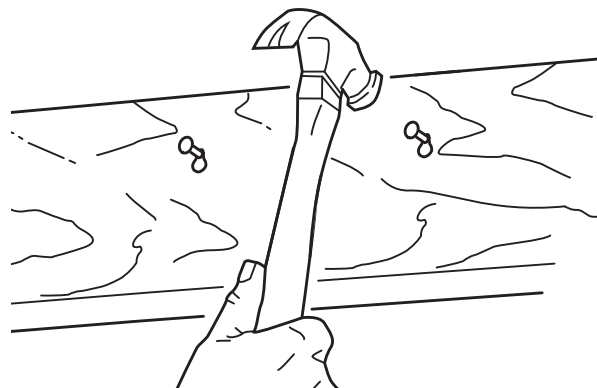
Additional positioning feature for 1/2" thick ceiling material:

Bend two tabs, on side of housing, 90° outward. Lift housing until tabs contact underside of joist.

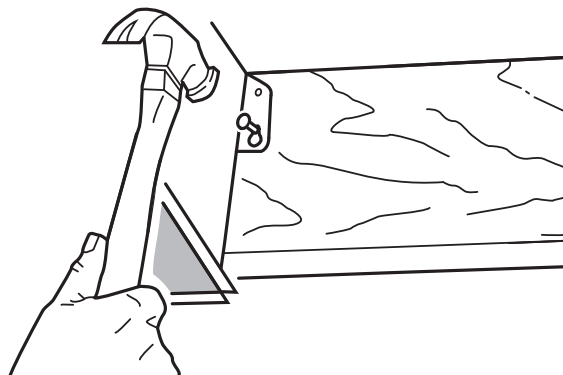
Mark the keyhole slot on both mounting tabs.

TYPICAL INSTALLATIONS (continued)

New Construction



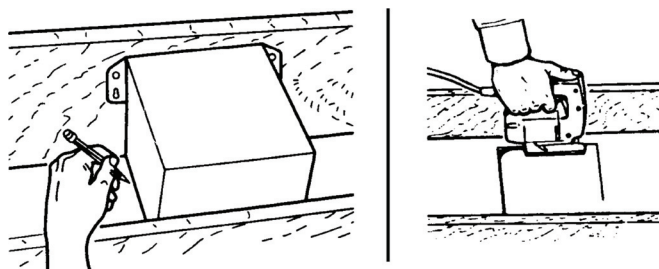
3. Set housing aside and drive nails partially into joist at the top of both keyhole marks.



4. Hang housing from nails and pound nails tight. To ensure a noise-free mount, pound another nail through the top hole of each mounting tab.

Existing Construction

1. Choose the location for your fan in the ceiling. For best possible performance, use the shortest possible duct run and a minimum number of elbows.

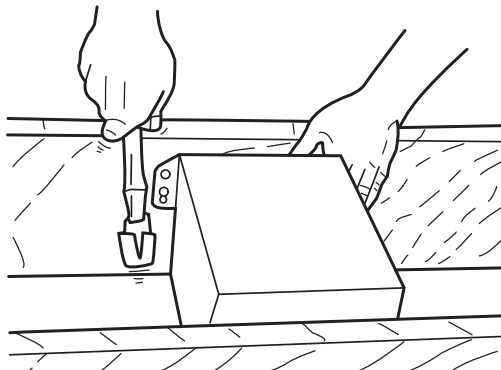


2. In attic, position mounting brackets against joist. Trace outline of housing on ceiling material.

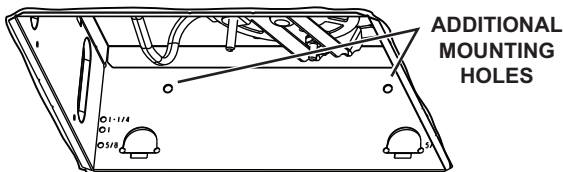
3. Set housing aside and cut ceiling opening slightly larger than marked.

INSTALL THE HOUSING (continued)

Existing Construction

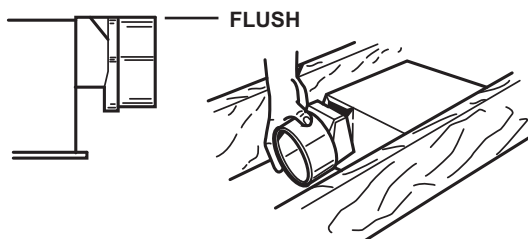


- Place housing in opening so that its bottom edge is flush with finished ceiling. Nail to joist through keyhole on both sides. To ensure a noise-free installation, drive another nail through the top hole of each mounting tab.



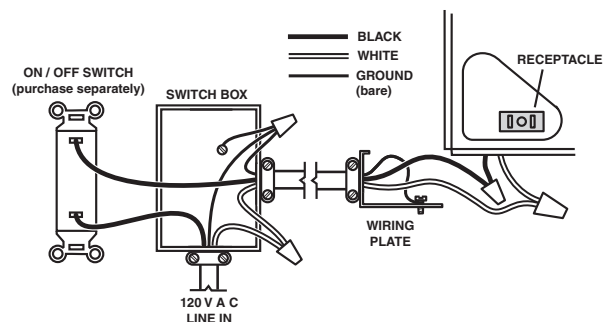
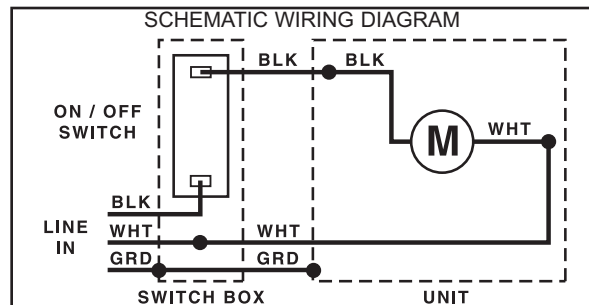
- Additional mounting holes are provided for installations where access from above is inconvenient or not possible. Nail or screw housing directly to joists or framing.

INSTALL THE DUCTWORK



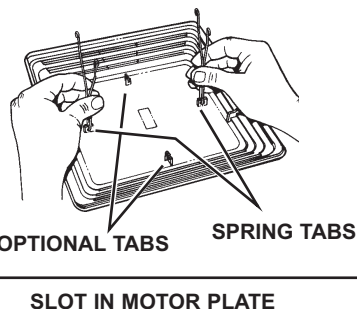
- Snap the damper/duct connector onto housing. Make sure that tabs on the connector lock into slots in housing. Top of damper/duct connector should be flush with top of housing.
- Connect 4" round duct to damper/duct connector and extend duct to outside through a roof or wall cap. Check damper to make sure that it opens freely. Tape all duct connections to make them secure and air tight.

CONNECT THE WIRING



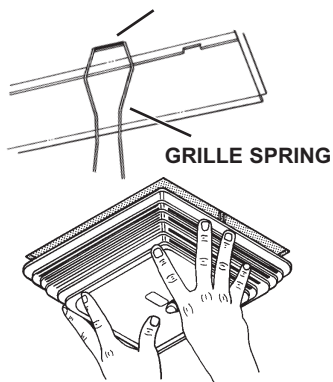
- Wire unit following diagram above. Run electrical cable as direct as possible to unit. Do not allow cable to touch sides or top of unit after installation is complete.

ATTACH THE GRILLE



- Squeeze grille springs together and insert springs into slots in motor plate.

NOTE: If desired, rotate grille 90° and move springs to optional tabs.



- Push grille up against ceiling.

USE AND CARE

WARNING: DISCONNECT ELECTRICAL POWER SUPPLY AND LOCK OUT SERVICE PANEL BEFORE CLEANING OR SERVICING THIS UNIT.

MOTOR LUBRICATION

The motor is permanently lubricated. Do not oil or disassemble motor.

SERVICE PARTS

| KEY | PART NO. | DESCRIPTION |
|-----|----------|---|
| 1 | 97013574 | Grille DX90 / DX110 |
| | 30110230 | Grille VSBP90M |
| | 30110259 | Grille Assembly 671SP/672SP |
| 2 | 97015467 | Motor Plate |
| 3 | 99080517 | Motor DX110/672SP |
| | 99080518 | Motor DX90/671SP/VSPB90M |
| 4 | 99020276 | Impeller |
| 5 | 30260007 | Motor Nut (2 req.) |
| * | 97015157 | Blower Assembly DX110/672SP (includes Key No. 2 thru 5) |
| | 97015159 | Blower Assembly DX90/671SP/VSBP90M (includes Key No. 2 thru 5) |
| 6 | 30270002 | Receptacle |
| 7 | 98009611 | Wire Panel |
| * | 97015170 | Wire Panel Assembly (includes Key No. 6 thru 7) |
| | 8 | 97014922 |
| 9 | 30110005 | Damper/Duct Connector |
| 10 | 98008868 | Wiring Plate |
| 11 | 30150002 | Screw, no. 8-32 x .375 |
| 12 | 30160007 | Ground Screw |

* Not shown assembled.

Order replacement parts by "PART NO." - not by "KEY NO."

USE AND CARE

CLEANING

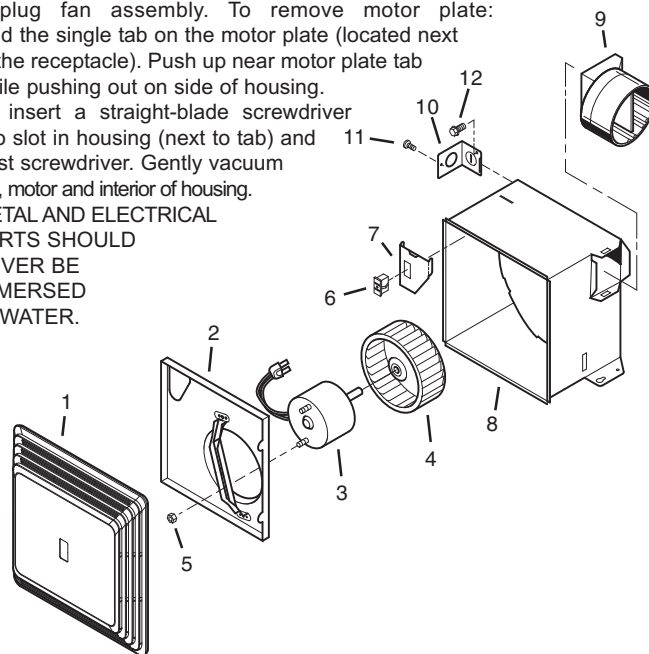
TO CLEAN GRILLE:

CAUTION: Plastic parts can be cleaned with mild, soapy water (use a mild detergent, such as dishwashing liquid) and dried with a soft cloth. Do not use abrasive cloth, steel wool pads or scouring powders.

TO CLEAN FAN ASSEMBLY:

Unplug fan assembly. To remove motor plate: Find the single tab on the motor plate (located next to the receptacle). Push up near motor plate tab while pushing out on side of housing. Or insert a straight-blade screwdriver into slot in housing (next to tab) and twist screwdriver. Gently vacuum fan, motor and interior of housing.

METAL AND ELECTRICAL PARTS SHOULD NEVER BE IMMERSUED IN WATER.



BROAN-NUTONE CANADA INC.

One Year Limited Warranty

Broan-NuTone Canada warrants to the original consumer purchaser of its products that such products will be free from defects in materials and workmanship for a period of one year from the date of original purchase. THERE ARE NO OTHER WARRANTIES, EXPRESSED OR IMPLIED, INCLUDING, BUT NOT LIMITED TO, IMPLIED WARRANTIES OF MERCHANTABILITY OR FITNESS FOR A PARTICULAR PURPOSE.

During this one-year period, Broan-NuTone Canada will, at its option, repair or replace, without charge, any product or part which is found to be defective under normal use and service.

THIS WARRANTY DOES NOT EXTEND TO FLUORESCENT LAMP STARTERS AND TUBES, BULBS OR BATTERIES, FILTERS, DUCT, ROOF CAPS, WALL CAPS AND OTHER ACCESSORIES FOR DUCTING. This warranty does not cover (a) normal maintenance and service or (b) any products or parts which have been subject to misuse, negligence, accident, improper maintenance or repair (other than by Broan-NuTone Canada or an authorized representative), faulty installation or installation contrary to recommended installation instructions.

The duration of any implied warranty is limited to the one-year period as specified for the express warranty.

BROAN-NUTONE CANADA'S OBLIGATION TO REPAIR OR REPLACE, AT BROAN-NUTONE CANADA'S OPTION, SHALL BE THE PURCHASER'S SOLE AND EXCLUSIVE REMEDY UNDER THIS WARRANTY. BROAN-NUTONE CANADA SHALL NOT BE LIABLE FOR INCIDENTAL, CONSEQUENTIAL OR SPECIAL DAMAGES ARISING OUT OF OR IN CONNECTION WITH PRODUCT USE OR PERFORMANCE. This warranty supersedes all prior warranties.

To qualify for warranty service, you must (a) notify Broan-NuTone Canada at the address stated below or telephone 1-888-882-7626, (b) give the model number and part identification and (c) describe the nature of any defect in the product or part. At the time of requesting warranty service, you must present evidence of the original purchase date.

Date of Installation

Builder or Installer

Model No. and Product Description

IF YOU NEED ASSISTANCE OR SERVICE:

For the location of your nearest Broan-NuTone Canada Inc. dealer:

Dial Toll Free: 1-888-882-7626

Please be prepared to provide:

Product model number • Date and proof of purchase • The nature of the difficulty

Broan-NuTone Canada Inc.

1140 Tristar Drive, Mississauga, Ontario L5T 1H9

www.broan.ca

www.nutone.ca