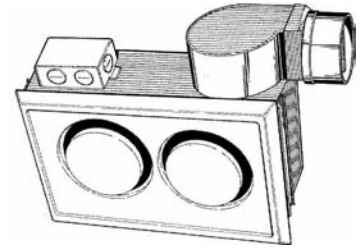




MODEL 164 VENTILATION FAN & INFRARED BULB HEATER



Quick and efficient fan with twin-bulb heaters provides the selective temperature control you need.

FEATURES

- White polymeric grille
- Sturdy steel housing
- Adjustable mounting brackets that span up to 24" (609.6 mm)
- Housing can be adjusted vertically after ceiling is finished
- Uses (2) 250W BR40-size infrared bulbs (not included)
- Suitable for use in insulated ceilings (Type I.C.)
- Plug-in, permanently lubricated motor
- Quiet, polymeric blower wheel
- Polymeric damper/ duct connector with 1-5/8" (41.3 mm) long tapered sleeve with no metallic clatter
- Unit may function with bulbs and fan controlled together, bulbs and fan controlled separately, or EACH bulb and fan controlled separately (controls available separately)

TYPICAL SPECIFICATIONS

Bulb heater shall be Broan Model 164.

Heater shall have a corrosion resistant steel housing and adjustable mounting brackets.

Unit must use (2) 250W BR40-size infrared bulbs. Bulb heater to be CSA certified. Suitable for use in insulated ceilings (Type I.C.) to an R40 factor.

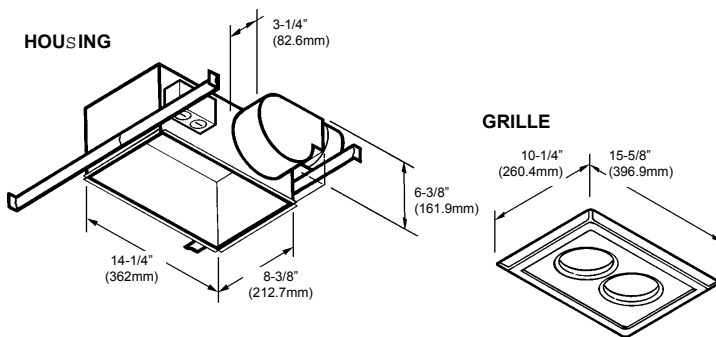
Motor assembly to be removable and permanently lubricated. Non-metallic damper/ duct connector to be included. Heater and ventilator to operate separately (or in combination).

Air delivery shall be no less than 70 CFM (33 L/s) and sound levels no greater than 3.5 Sones. All air and sound ratings shall be certified by the HVI. Unit shall be CSA certified.

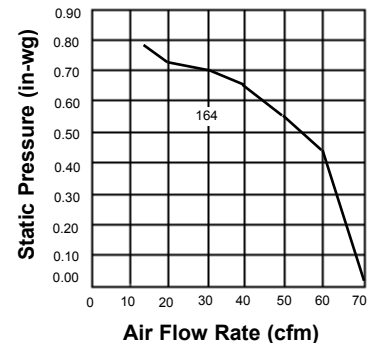
SPECIFICATIONS

VOLTS	AMPS	WATTS*	SONES	CFM (L/s)	DUCT (mm) Rd.
120	4.5	545**	3.5	70 (33)	4" (101.6)

* Total Connected Load
** BR40-size infrared bulbs. Use house wiring certified at 60°C min.



HVI-2100 CERTIFIED RATINGS comply with the new testing technologies and procedures prescribed by the Home Ventilation Institute, for off-the-shelf products, as they are available to consumers. Product performance is rated at 0.1 in. static pressure, based on tests conducted in AMCA's state-of-the-art laboratory. Sones are a measure of humanly produced loudness, based on laboratory measurements.



Broan-NuTone LLC, Hartford, Wisconsin, U.S.A. 53027
Broan-NuTone Canada Inc., Mississauga, Ontario, Canada L5T 1H9

REFERENCE	QTY.	REMARKS	Project
			Location
			Architect
			Engineer
			Contractor
			Submitted by Date