

# INSTALLATION MANUAL



STEEL SHINGLES



**ideal roofing**  
Company Ltd Manufacturers

Head Office  
1418 Michael St.,  
Ottawa, Ont., Canada K1B 3R2  
TOLL FREE 1-800-267-0860  
TEL. 1-613-746-3206  
FAX 1-613-746-0445

# Contents

	<b>Page</b>
Preparation, Roof Underlayment, Storage, Tools.....	2
Safety Tips, Maintenance, Product Delivery, Important Notice.....	3
Direction of Application.....	4
Installation Details Overview.....	5
Eave and Gable Details.....	6
Wall Flashing Details.....	7
Valley Detail.....	8
Cottage Roof Cap and Transition Flashing Details.....	9
Ridge Details.....	10
Half Ridge Cap Details.....	11
Plumbing Vent and Hydro Mast Detail.....	12
Flashings & Trims for the Wakefield Bridge Steel Shingles .....	13



## ***Preparation***

- *The Wakefield Bridge steel shingles must be installed on roofs with a minimum pitch of 4/12.*
- *Plan the installation and rearrange your site to receive the material in the appropriate locations.*
- *Inspect the roof for weak or uneven spots. Repair these areas before installing the metal shingles.*
- *Remove existing asphalt shingles before installing the Wakefield Bridge steel shingles.*
- *For re-roofing, remove all dissimilar materials such as copper, lead, aluminium, graphite and cement.*
- *Do not use pressure treated lumber as a solid backing.*

## ***Roof Underlayment***

- *Underlayment should be selected based on the climate condition and should comply with the local building code.*
- *In climates that experience freezing temperatures and (or) high winds, use “Ice & Water Shield” membrane (or equivalent) on the first 36” from the eave, 12” from the edge of the gable, 36” on each side of the valley, 12” around skylights and chimneys. For the remainder of the roof, use synthetic waterproof underlayment.*
- *On roofs with multiple slope variations and dormers, the use of peel and stick membrane on the entire roof surface is highly recommended.*

## ***Storage***

- *Storage time could be minimized by installing the metal shingles as soon as possible after delivery.*
- *If bundles must be stored for an extended period, the ideal storage place is under a roof in a cool, dry and well ventilated area.*
- *When outdoor storage is unavoidable, the following is recommended:*
  - 1- *Use good quality covers over stacks,*
  - 2- *Block bundles off the ground,*
  - 3- *Store away from chemically aggressive substances (e.g. salt, cement, fertilizer, diesel, oil, paint, and grease).*

## ***Tools***

- *Electric screw gun with adjustable torque.*
- *Tin snips or nibblers.*
- *Measuring tape.*
- *Screw (nail) apron.*
- *Rubber mallet.*
- *Locking sheet metal pliers (“Vice Grip” type).*
- *Knee Pads.*
- *Ladder.*



## ***Safety Tips***

- *Working gloves.*
- *Proper eye protection.*
- *Hard hat.*
- *Rubber-soled shoes (Steel roofing can be slippery when wet or icy).*
- *Properly secure material on the roof.*
- *Safety harness.*
- *Avoid installing on a windy day.*
- *Avoid having loose materials and tools on the roof.*
- *Avoid walking on the locks/seams of the shingles.*
- *Secure area below work.*
- *Use proper attachment for fall protection.*

## ***Maintenance***

- *When walking on the roof, avoid stepping on the interlocks of the steel shingles.*
- *To avoid scratching the paint on the “**Wakefield Bridge**” Steel Shingles, make sure to clean up the bottom of your rubber-soled shoes from any stones or debris before stepping on the roof.*
- *Inspect and remove any debris (leaves, nails,...) on an annual basis.*
- *Use touch up paint to protect any scratches.*

## ***Product Delivery***

- *Ideal Roofing will deliver the “**Wakefield Bridge**” product to its dealers. **No job site delivery of this product will be done by Ideal Roofing.***

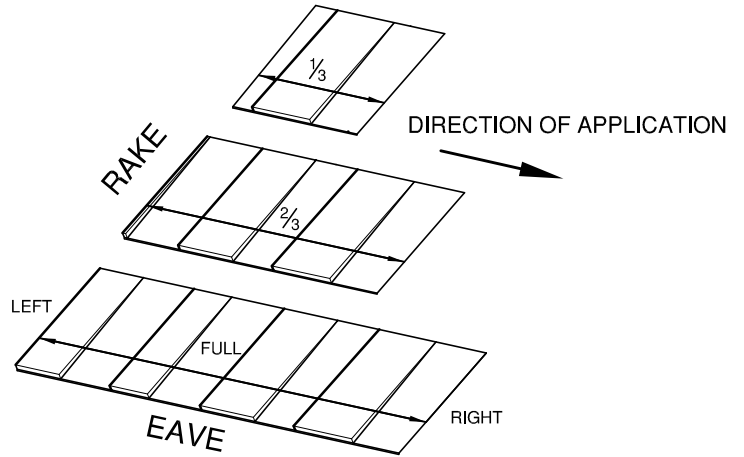
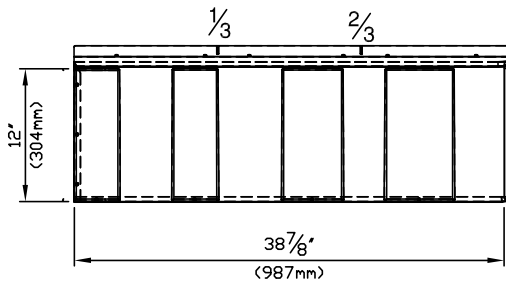
## ***Important Notice***

- *When ordering pre-painted “**Wakefield Bridge**” Steel Shingles, it is always preferable to order all items of the same color at the same time to avoid slight color differences between batches.*
- *The material should be checked against the shipping list as soon as it is received. Any damage or shortage of material on the bill of lading should be noted and reported to the driver or to our offices immediately.*
- *Use screws supplied by Ideal Roofing.*
- ***Failing to apply any of the above instructions will result in total refusal for any claim to Ideal Roofing.***

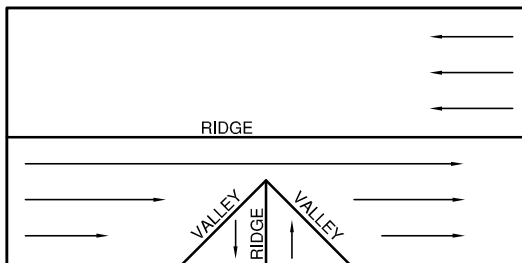
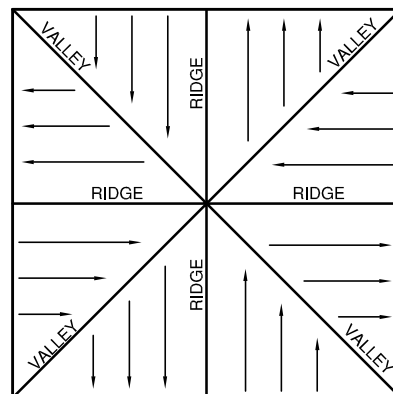
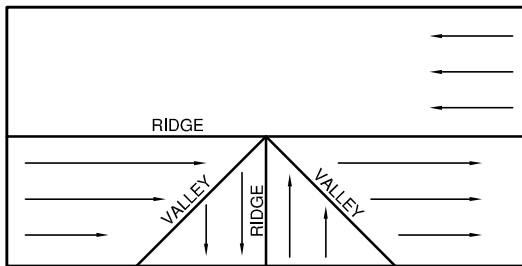
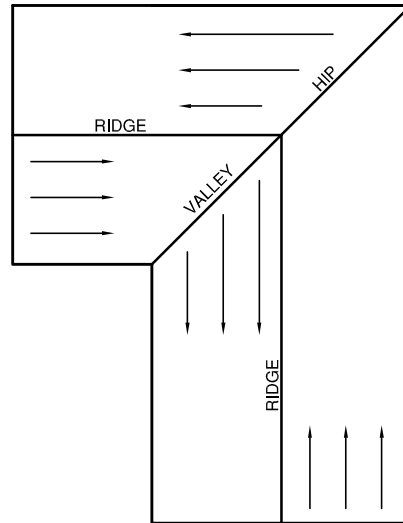
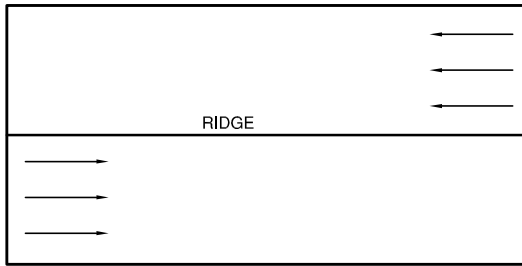


# Direction of Application

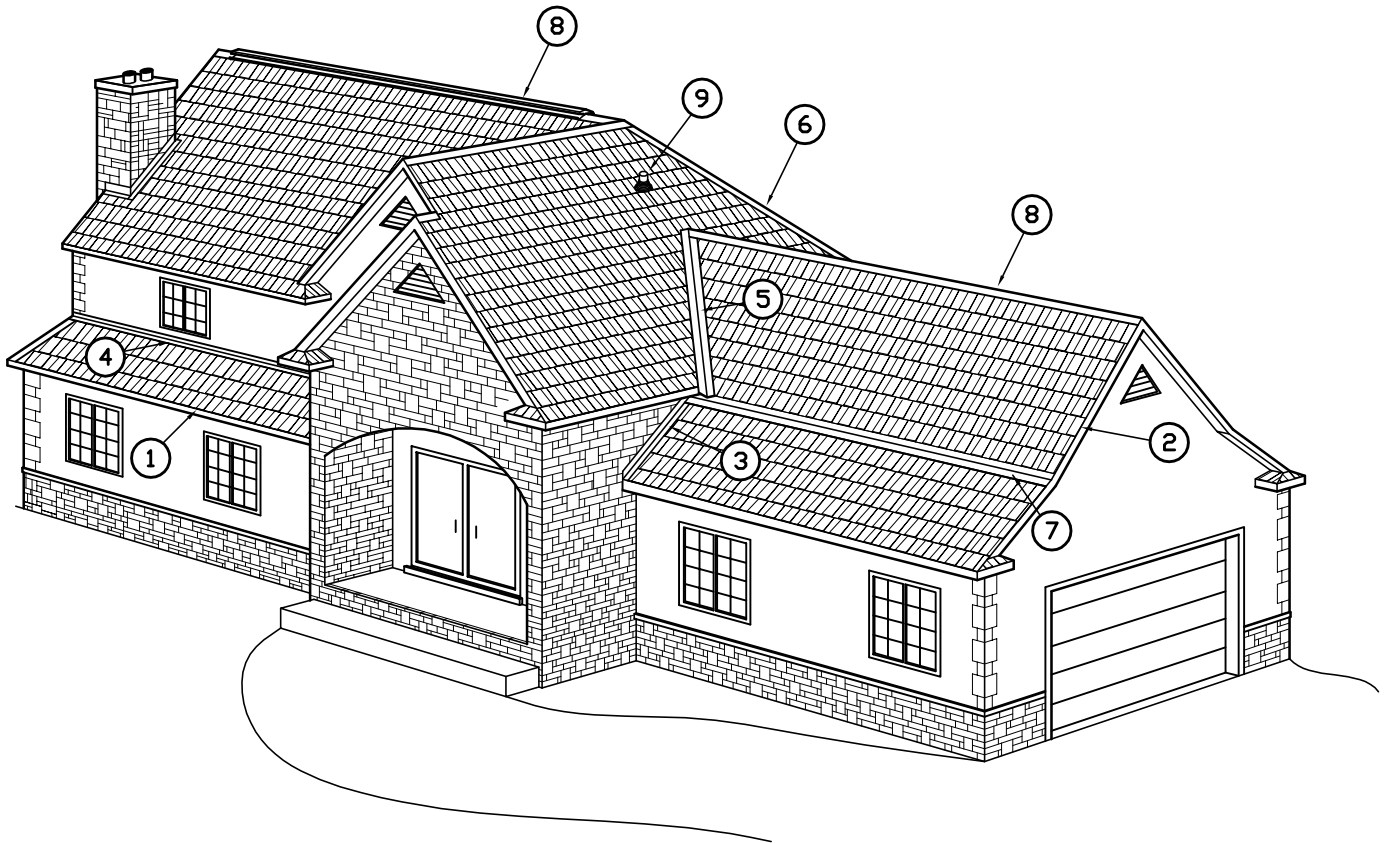
Install the "Wakefield Bridge" Steel Shingles from left to right starting with a full panel on the first row, 2/3 and 1/3 of panel to start the second and third row. Repeat the steps for the remainder of the roof section.



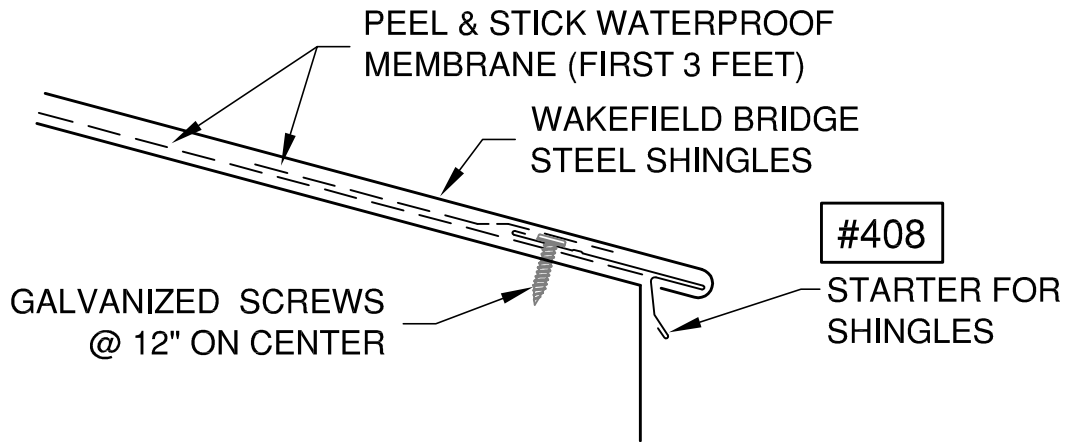
## ROOF TYPES: PLAN VIEWS



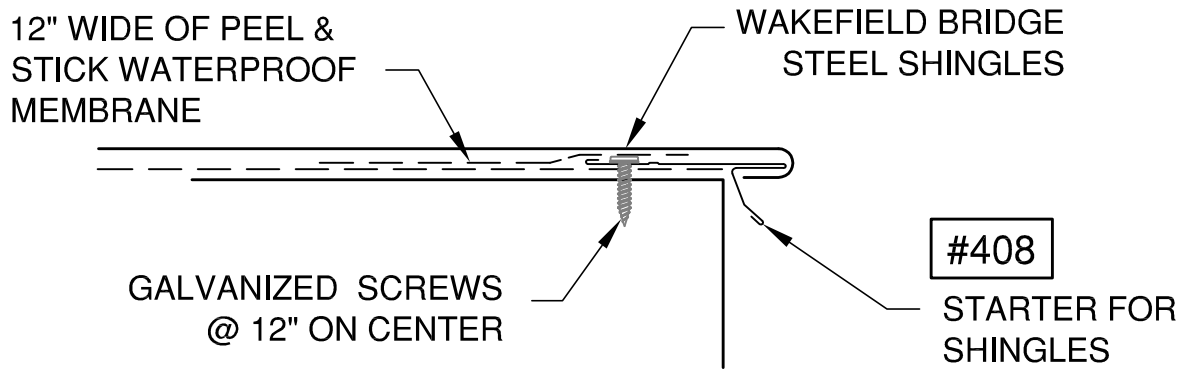
# INSTALLATION DETAILS OVERVIEW



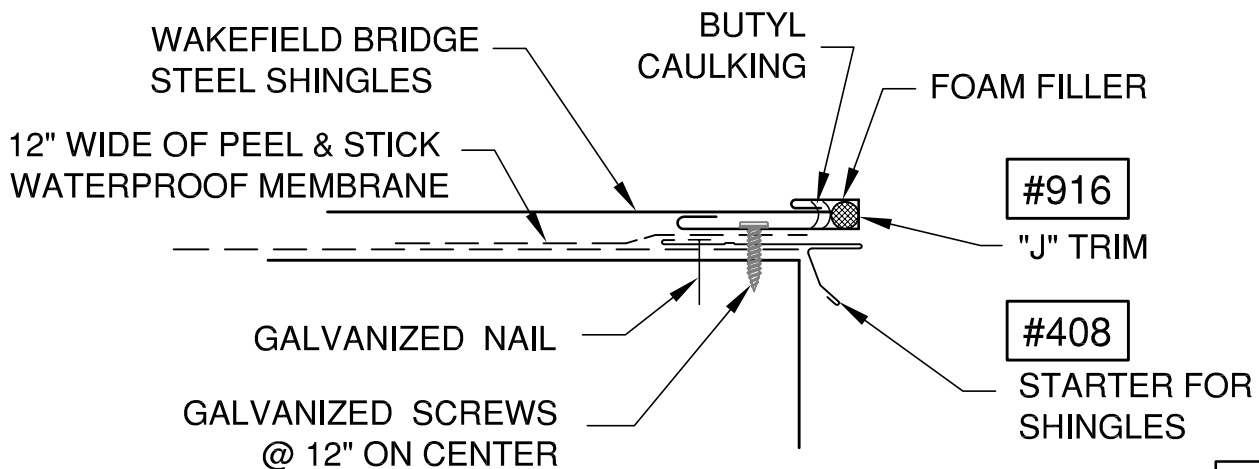
# 1 EAVE DETAIL



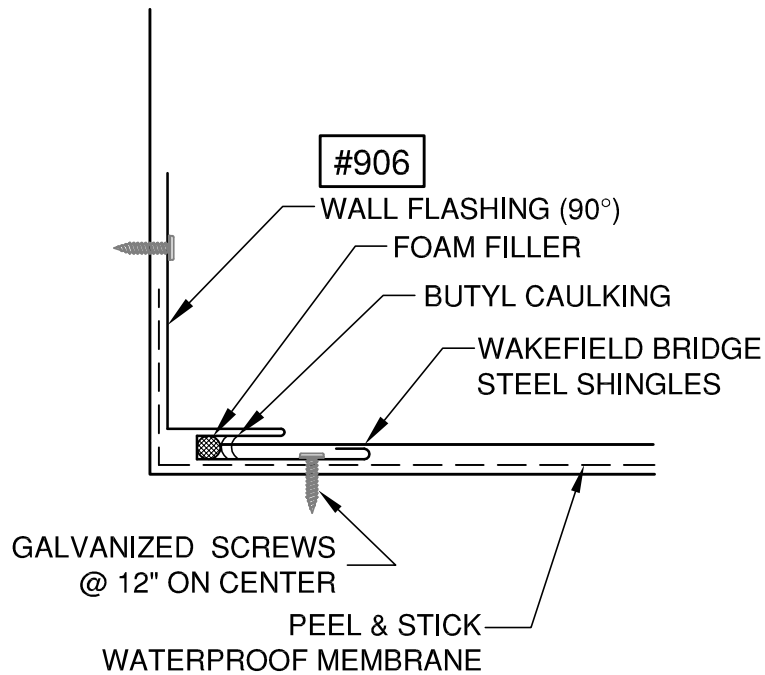
# 2.1 GABLE END DETAIL (first and last panel)



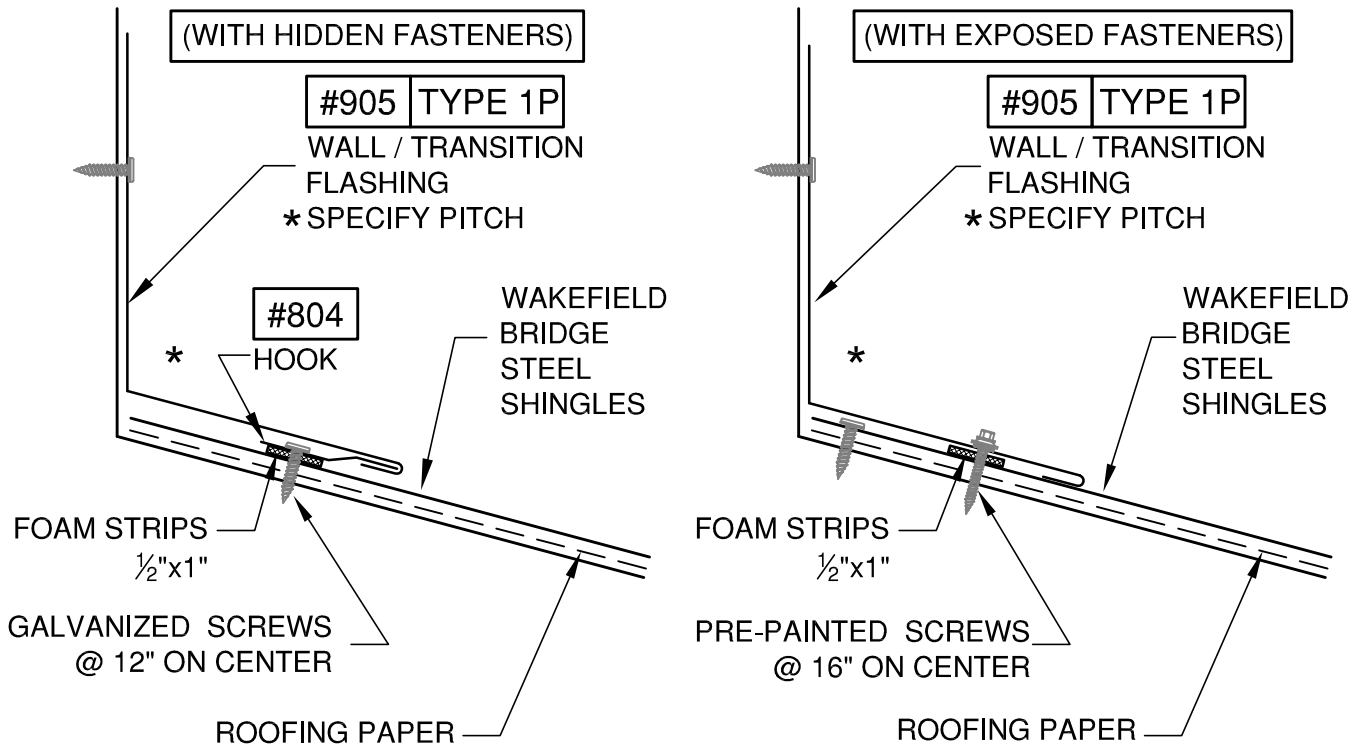
# 2.2 GABLE END DETAIL (first and last panel)



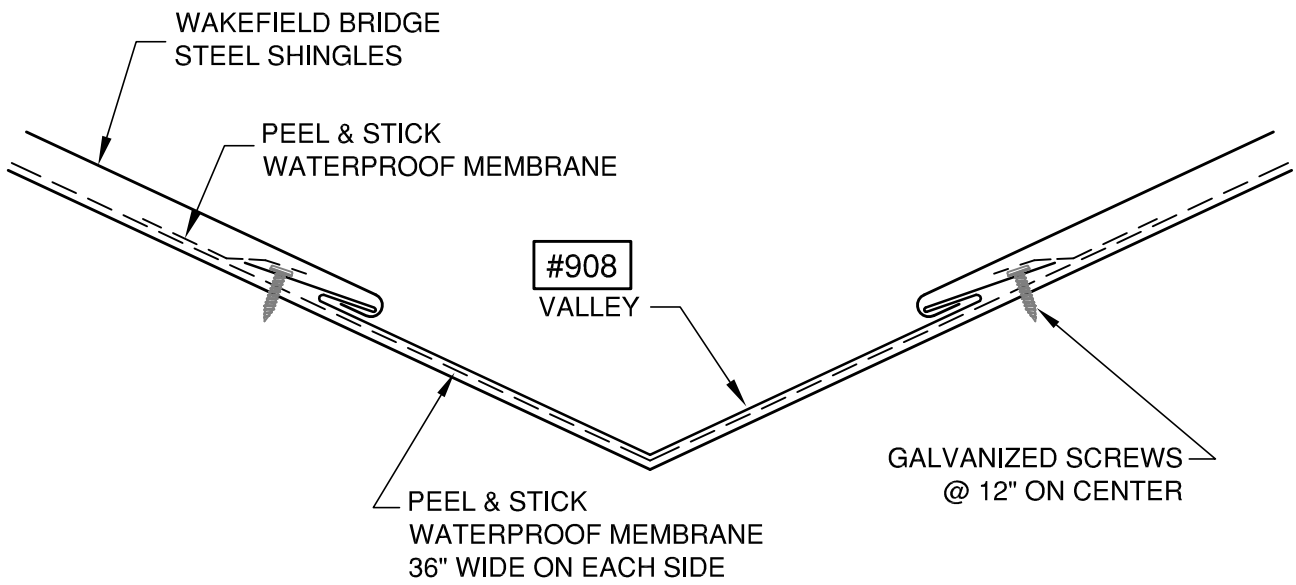
### 3 WALL FLASHING DETAIL (90°)



### 4 WALL FLASHING DETAIL (SLOPED)

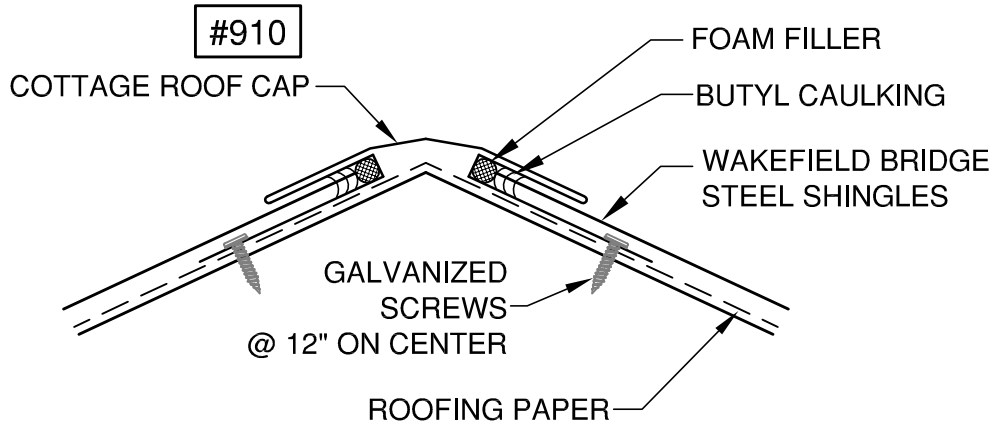


5 VALLEY DETAIL  
(SHINGLES FOLDED ON SITE)



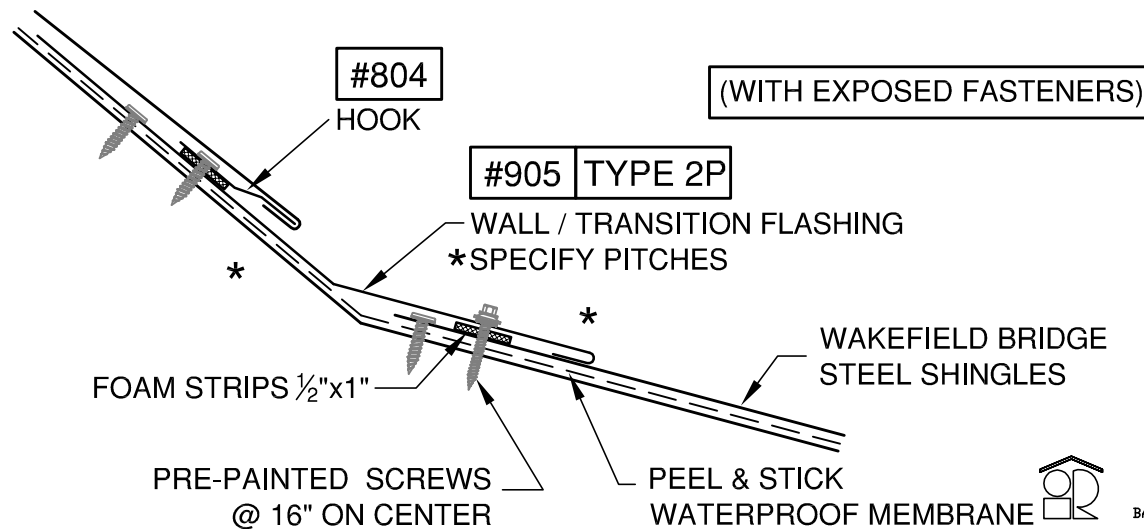
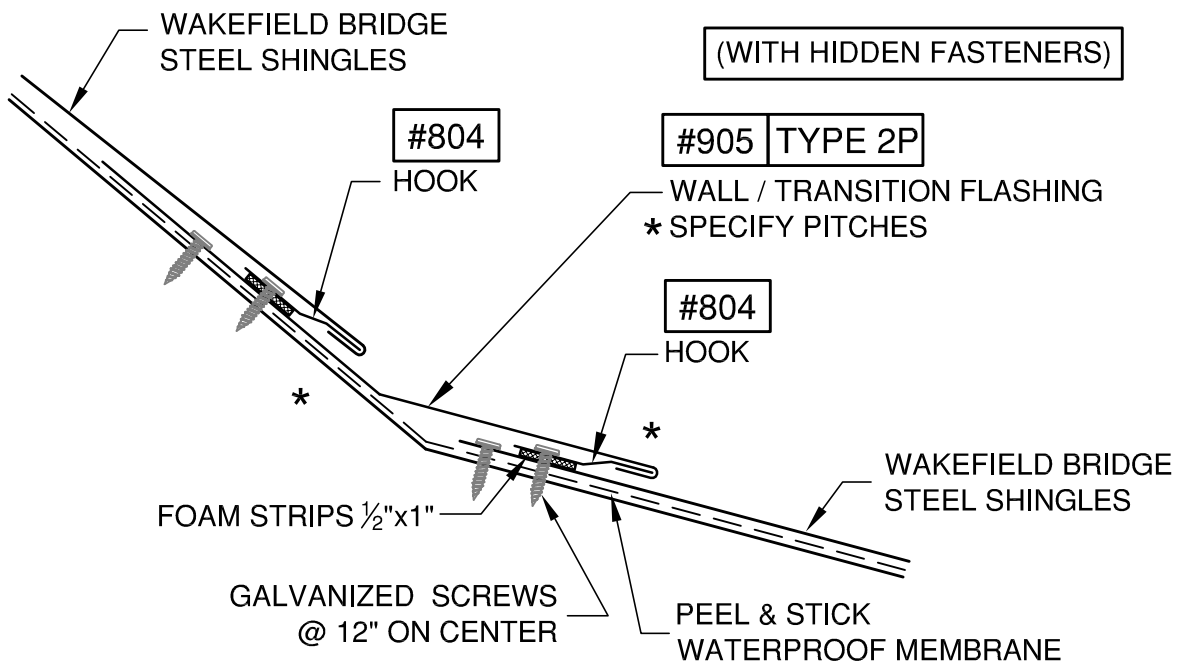
6

# COTTAGE ROOF CAP DETAIL

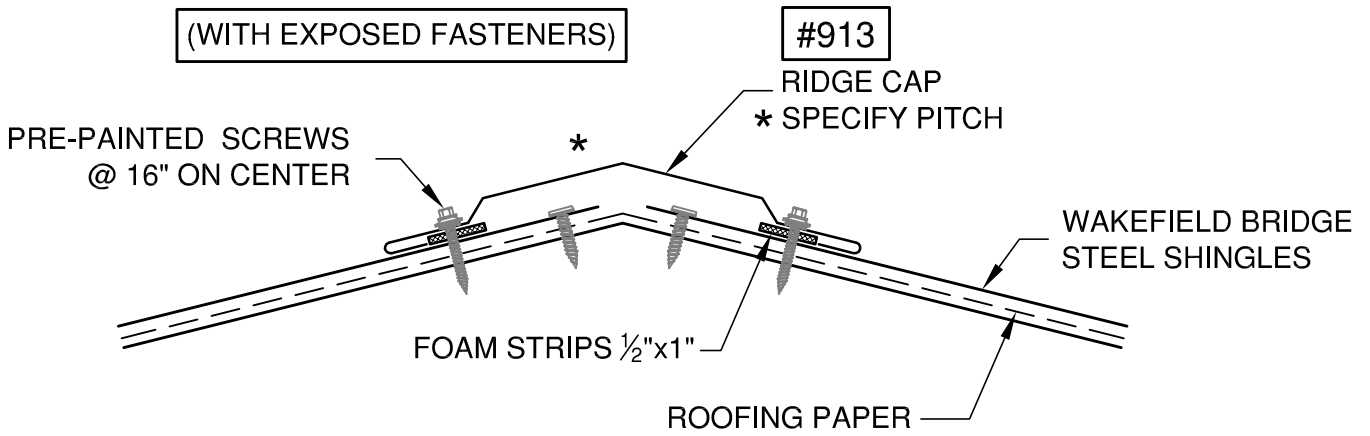
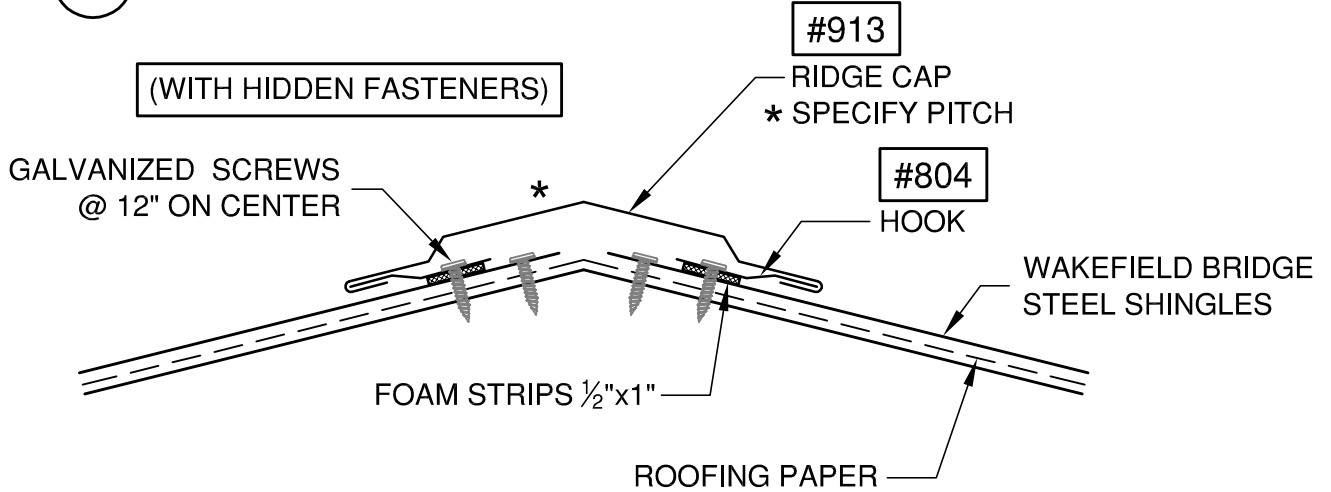


7

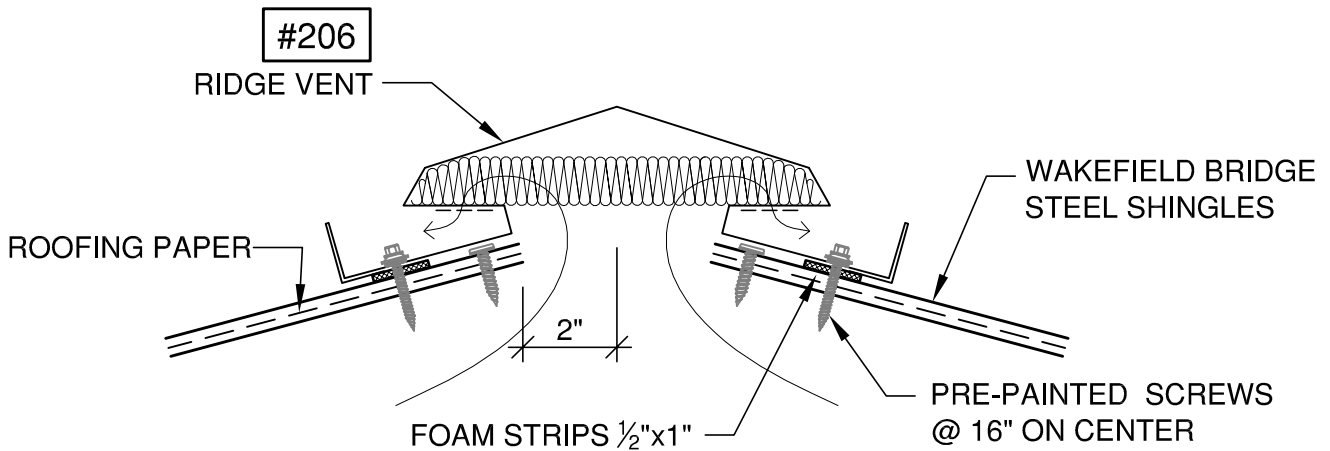
# TRANSITION FLASHING DETAIL



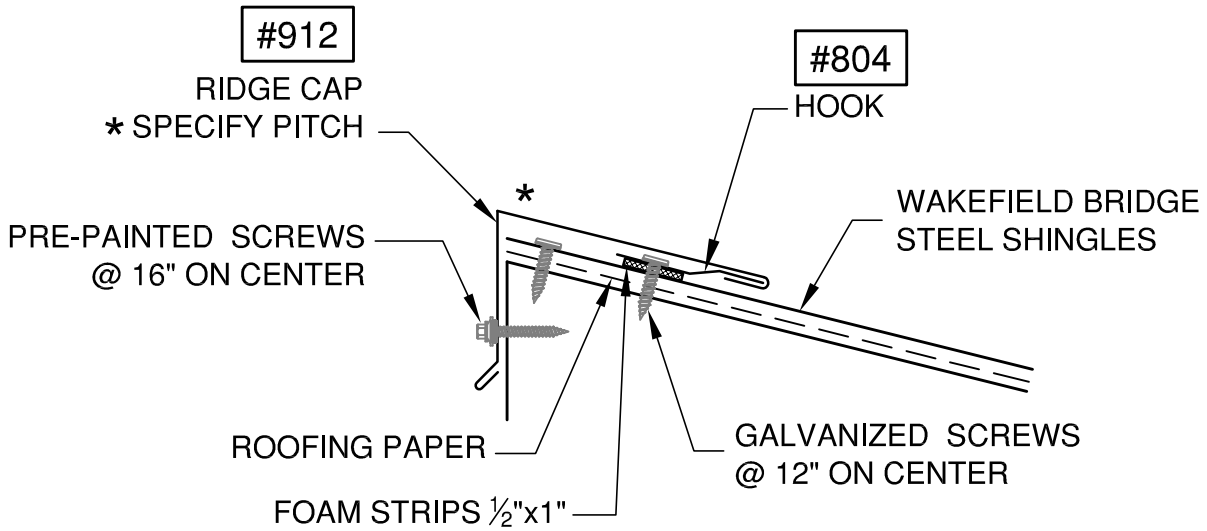
8.1 RIDGE CAP DETAIL



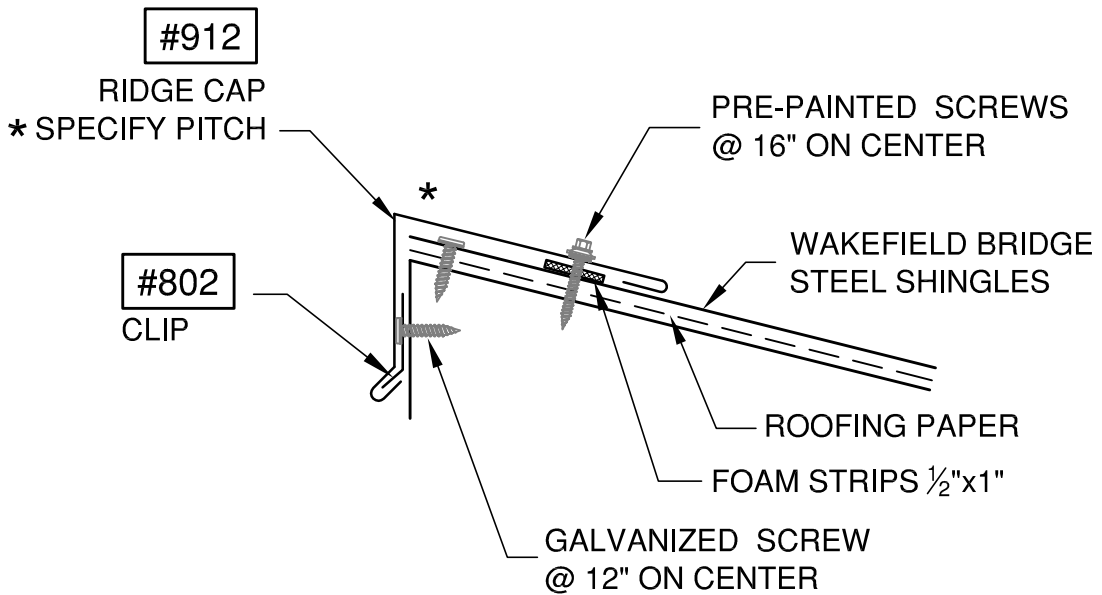
8.2 RIDGE VENT DETAIL



### 8.3 HALF RIDGE CAP DETAIL

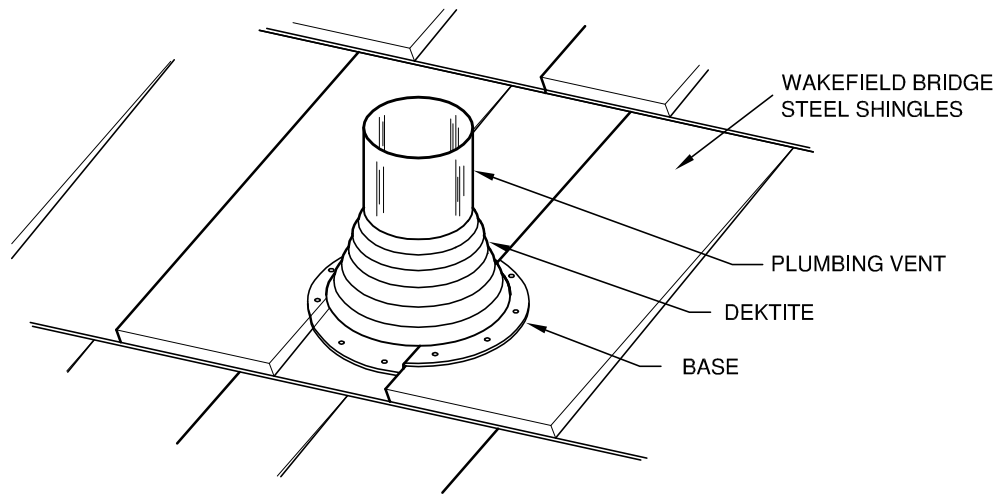


### 8.4 HALF RIDGE CAP DETAIL



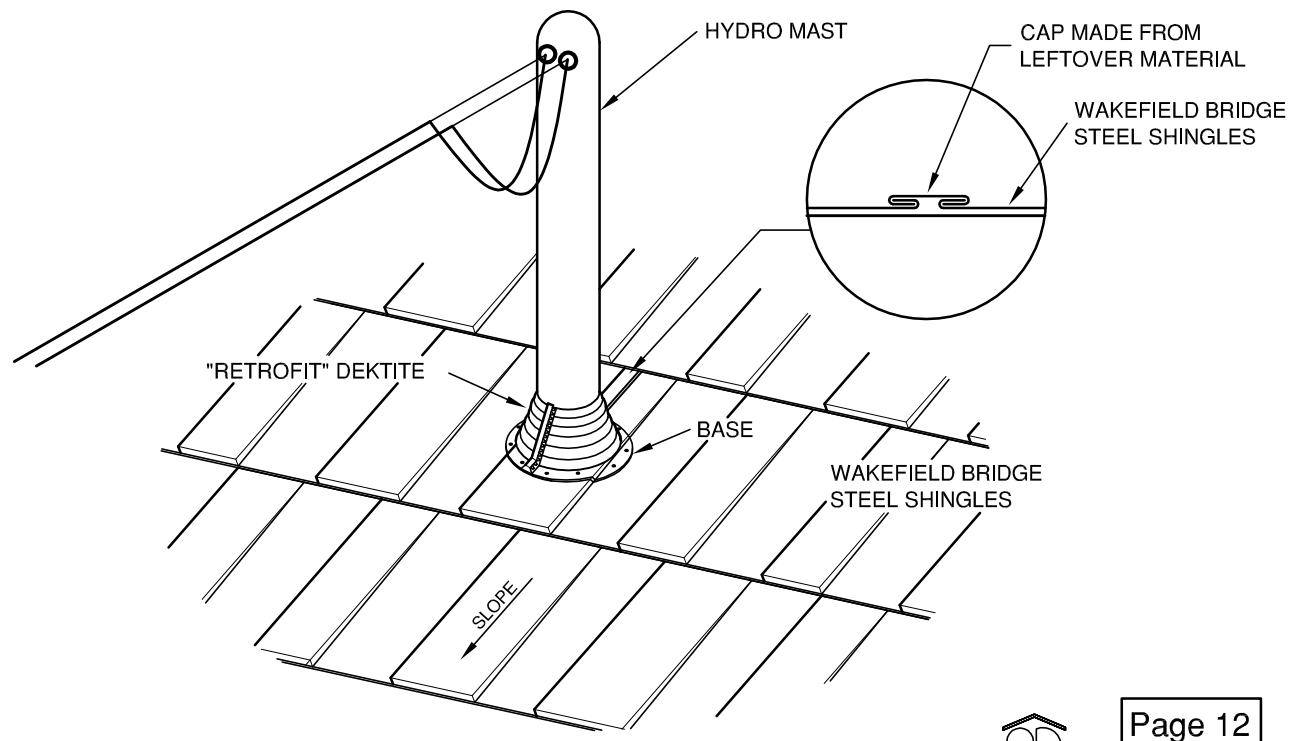
### 9.1 PLUMBING VENT DETAIL

-ONCE THE STEEL SHINGLES ARE INSTALLED, CUT THE "DEKTITE" TO THE APPROPRIATE DIAMETER, AND SLIDE OVER PIPE. SECURE THE DEKTITE'S BASE WITH A SEALANT (BETWEEN THE BASE AND ROOFING) THEN FASTEN.

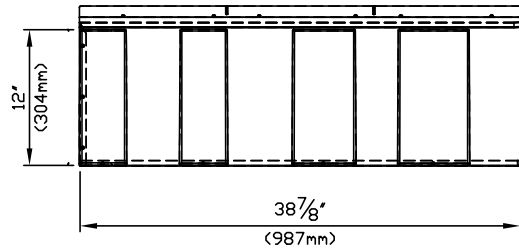


### 9.2 HYDRO MAST DETAIL

-ONCE THE STEEL SHINGLES ARE INSTALLED, CUT THE "RETROFIT DEKTITE" TO THE APPROPRIATE DIAMETER AND INSTALL AROUND THE HYDRO MAST. CLAMP THE FLASHING TOGETHER AND SECURE THE BASE WITH A SEALANT (BETWEEN THE BASE AND ROOFING) THEN FASTEN.

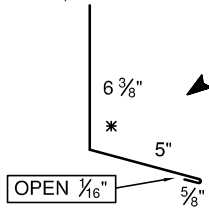


# FLASHINGS AND TRIMS FOR THE WAKEFIELD BRIDGE STEEL SHINGLES



## #905 TYPE 1P

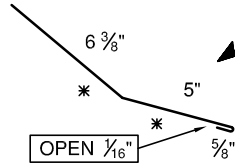
(PRICES PAGE 10)



WALL / TRANSITION FLASHING  
(12" GIRTH) \* SPECIFY PITCH

## #905 TYPE 2P

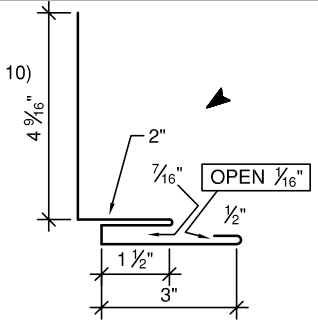
(PRICES PAGE 10)



WALL / TRANSITION FLASHING  
(12" GIRTH) \* SPECIFY PITCHES

## #906

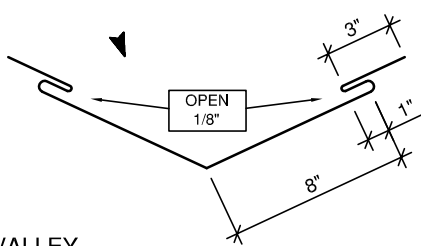
(PRICES PAGE 10)



WALL FLASHING (90°)  
(12" GIRTH)

## #908

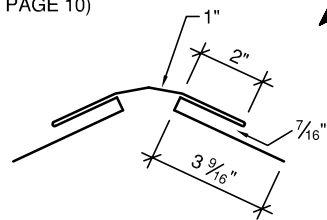
(PRICES PAGE 10)



VALLEY  
(24" GIRTH)

## #910

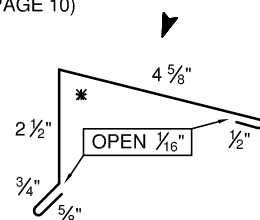
(PRICES PAGE 10)



COTTAGE ROOF CAP  
(18" GIRTH)

## #912

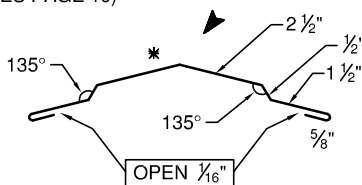
(PRICES PAGE 10)



HALF RIDGE CAP  
(9" GIRTH) \* SPECIFY PITCH

## #913

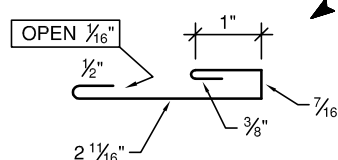
(PRICES PAGE 10)



RIDGE CAP  
(12" GIRTH) (TRIM TO 10 1/4") \* SPECIFY PITCH

## #916

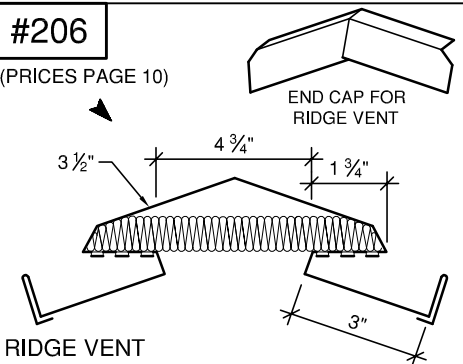
(PRICES PAGE 10)



SPECIAL "J" TRIM  
(5" GIRTH)

## #206

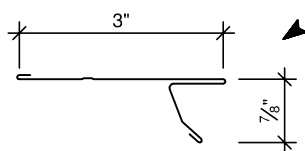
(PRICES PAGE 10)



RIDGE VENT

## #408

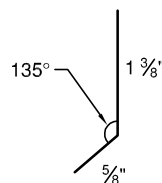
(PRICES PAGE 10)



STARTER FOR SHINGLES

## #802

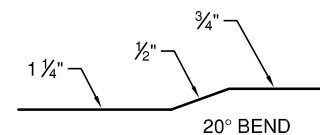
(PRICES PAGE 21)



CLIP  
(4" GIRTH, 26G, GALVANIZED)  
(TRIM TO 2")

## #804

(PRICES PAGE 21)



HOOK  
(4" GIRTH, 26G, GALVANIZED)  
(TRIM TO 2 1/2")

