

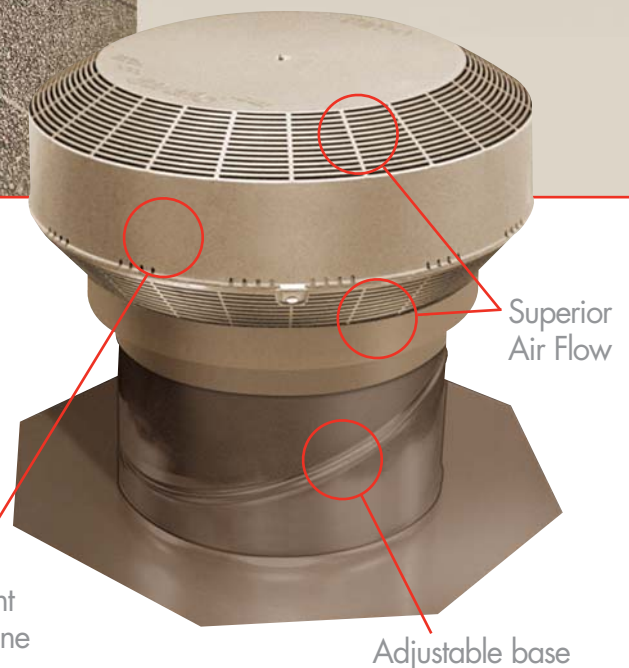
# WeatherPRO<sup>®</sup>

## TURBO

Control the Weather

- **Superior Air Flow**
- **No Maintenance**
- **Wards off Rain and Snow**
- **Internal Flow Through Technology**

- **Eliminates traditional turbine "squeaking"**
- 117 sq. in. net free area
- Available in black, brown or weatherwood UV resistant polypropylene
- Turbo Cap resists crushing, denting & peeling
- Extreme cold & heat resistant
- Adjustable base
- Patent Pending
- CSA Approved & Dade County Tested



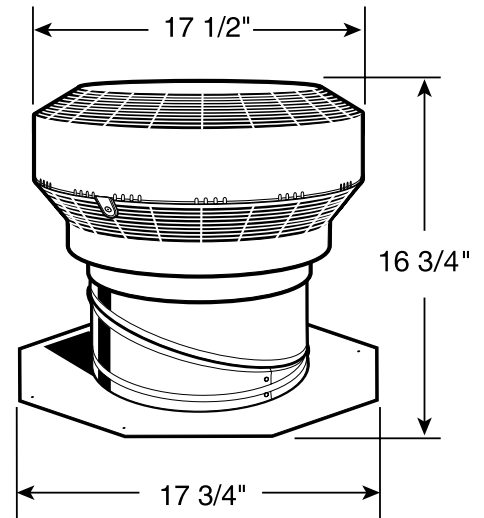
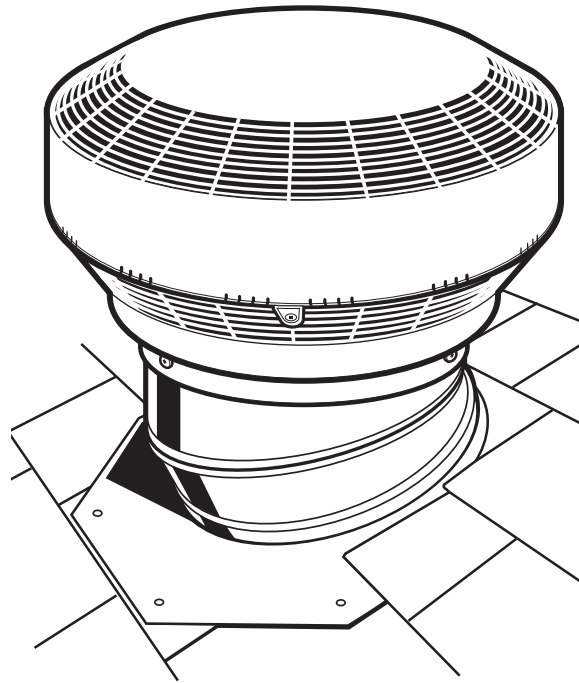
**duraflo**.com  
WE KNOW VENTILATION

®

# WeatherPRO®

## TURBO

Control the Weather



We have all experienced the annoying squeaking of traditional turbine vents and seen firsthand the damage caused by bird, insect and weather infiltration. Some companies find this acceptable and offer extended warranties but who pays for call backs? We have heard the complaints of having to return bent and crushed turbine balls damaged before

ever reaching the job site. Every roofer has call back stories of turbines that, for some reason, stop turning. Can a product be made that will keep the weather out and meet the standards and codes while lasting long enough to do the job right? The Duraflo WeatherPro® Turbo is long lasting, keeps weather out, exceeds standards and much more!



Part No.	Desc	Size	Net Free Area (sq. in)	Weight (kg)	Ctn Qty
6000BL	Black	17 1/2" x 17 3/4" x 16 3/4"	117	2.24	1
6000BR	Brown	17 1/2" x 17 3/4" x 16 3/4"	117	2.24	1
6000WW	Weatherwood	17 1/2" x 17 3/4" x 16 3/4"	117	2.24	1

Canplas Industries Ltd.  
500 Veterans Drive, Box 1800  
Barrie, Ontario  
Canada L4M 4V3  
Tel: (705) 726-3361  
Fax: (705) 719-2143  
Website: [www.duraflo.com](http://www.duraflo.com)  
E-mail: [duraflo@canplas.com](mailto:duraflo@canplas.com)  
**1-800-461-1771**

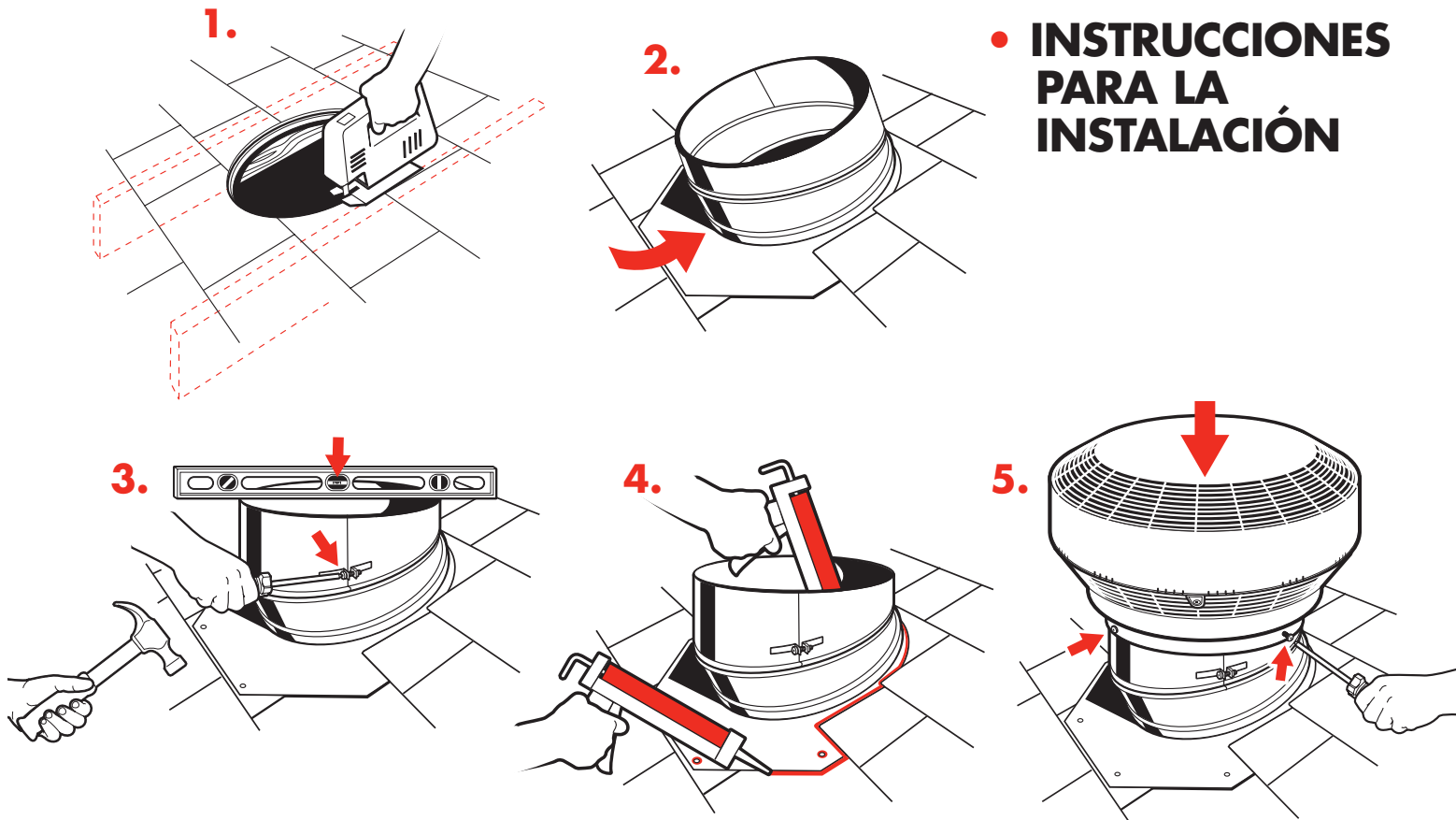
Canplas Industries Ltd.  
11408 - 163rd Street  
Edmonton, Alberta  
Canada T5M 3T3  
Tel: (780) 451-3206  
Fax: (780) 452-0536

Canplas Industries Ltd.  
940 Cliveden Ave.  
Annacis Industrial Estate  
New Westminster, B.C.  
Canada V3M 5R5  
Tel: (604) 526-2855  
Fax: (604) 526-5002

Canplas LLC  
11402 East 53rd Ave., Suite 200  
Denver, Colorado  
U.S.A. 80239  
Tel: (303) 373-1918  
Fax: (303) 373-1923

# WeatherPRO® TURBO

- **INSTALLATION INSTRUCTIONS**
- **INSTRUCTIONS DE MONTAGE**
- **INSTRUCCIONES PARA LA INSTALACIÓN**



## For Simple Installation:

1. Cut an appropriate size opening in the roof through both the shingles and sheathing for the exhaust opening in the attic.
2. Insert the top half of the base flashing between the shingles and sheathing.
3. Loosen the base adjustment screw and rotate the upper half until level.
4. Attach base flashing to roof using roofing nails. Seal all seams and nail holes with roofing cement.
5. Attach Turbo Cap to metal base using screws included.

## Installation facile:

1. Découpez une ouverture de la dimension appropriée dans le toit, à travers les bardeaux et le revêtement, jusqu'au grenier.
2. Insérez la moitié supérieure du solin de la base entre les bardeaux et le revêtement.
3. Desserrez la vis de réglage de la base et tournez la moitié supérieure pour la mettre de niveau.
4. Fixez le solin de la base à l'aide de clous de toiture. Scellez tous les joints et les trous faits par les clous avec du ciment pour toiture.
5. Fixez le capuchon Turbo à la base métallique à l'aide des vis fournies.

## Para instalación simple:

1. Abra un agujero de tamaño adecuado en el tejado entre las tejas y la cubierta para la abertura del tubo de salida en el desván.
2. Inserte la mitad superior del tapajuntas de la base entre las tejas y la cubierta.
3. Afloje el tornillo de ajuste de la base y gire la mitad superior hasta que esté a nivel.
4. Fije el tapajuntas de la base al tejado con clavos para tejados. Selle todas las juntas y los agujeros de los clavos con cemento para techos.
5. Fije la tapa de la Turbo en la base de metal con los tornillos incluidos.