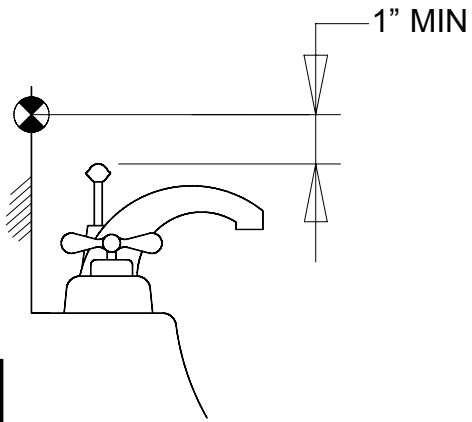
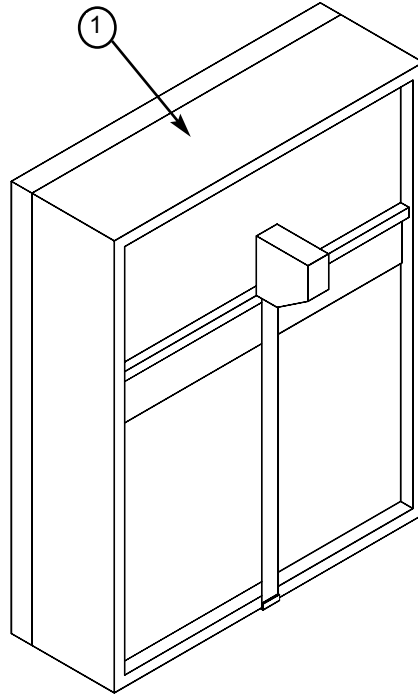


Item #	Qty	Component
1	1	Cabinet
2	2	Hanging Brackets
3	8	Wall Anchors
4	8	#8 x 1 1/4 Pan Head Screw
5	2	Tape Pads

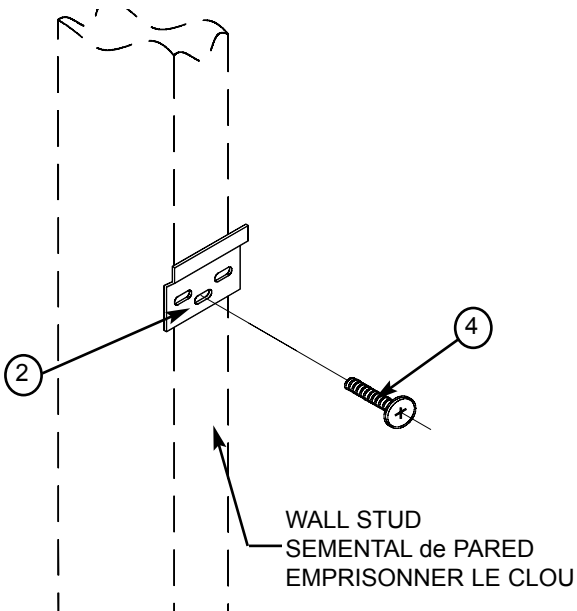
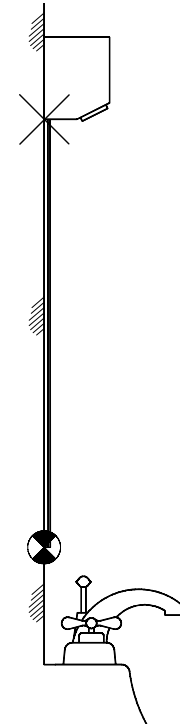


1

2

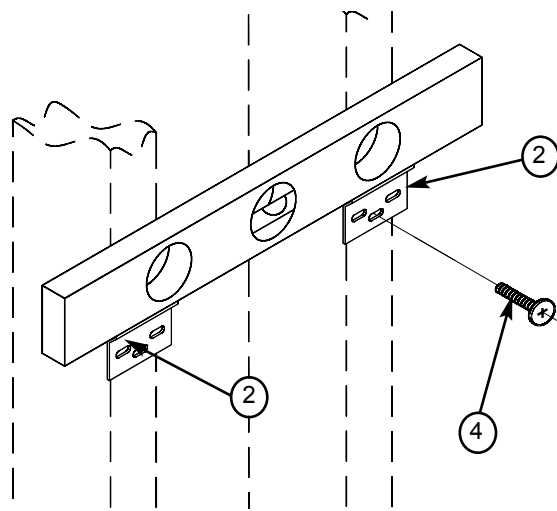


3

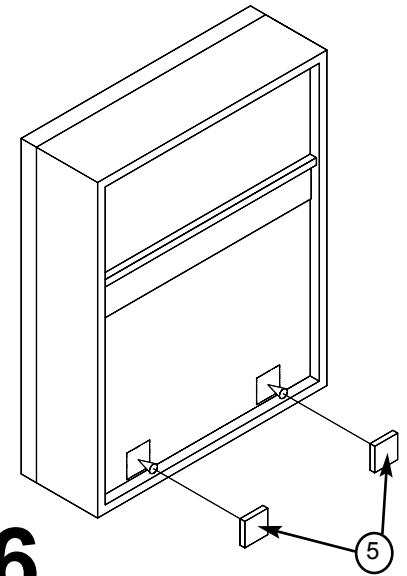


4

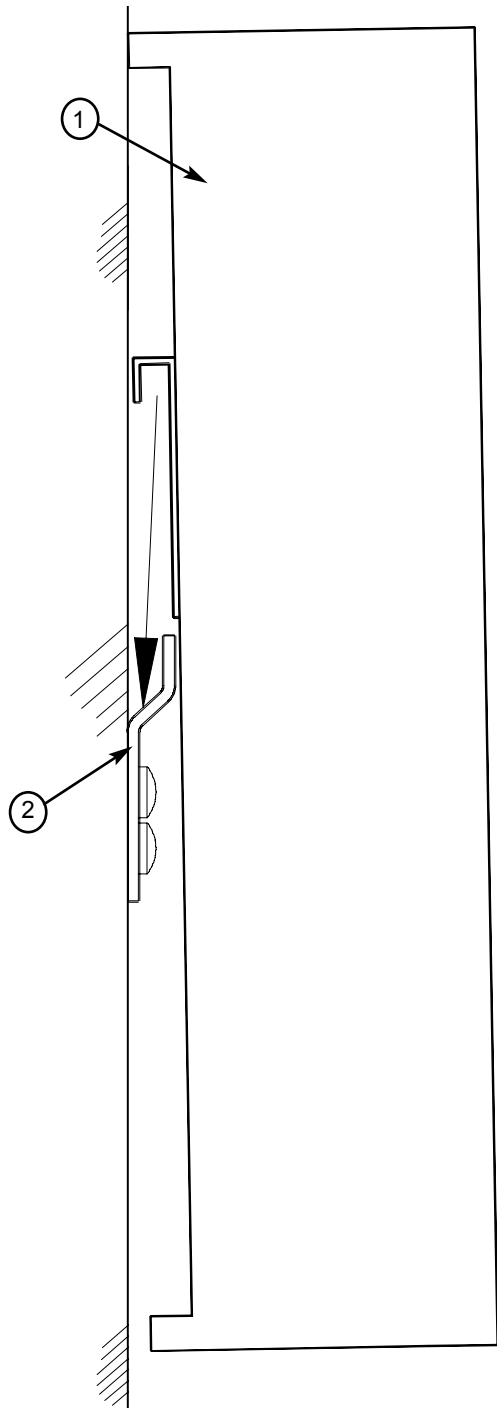
5



6



7



8

