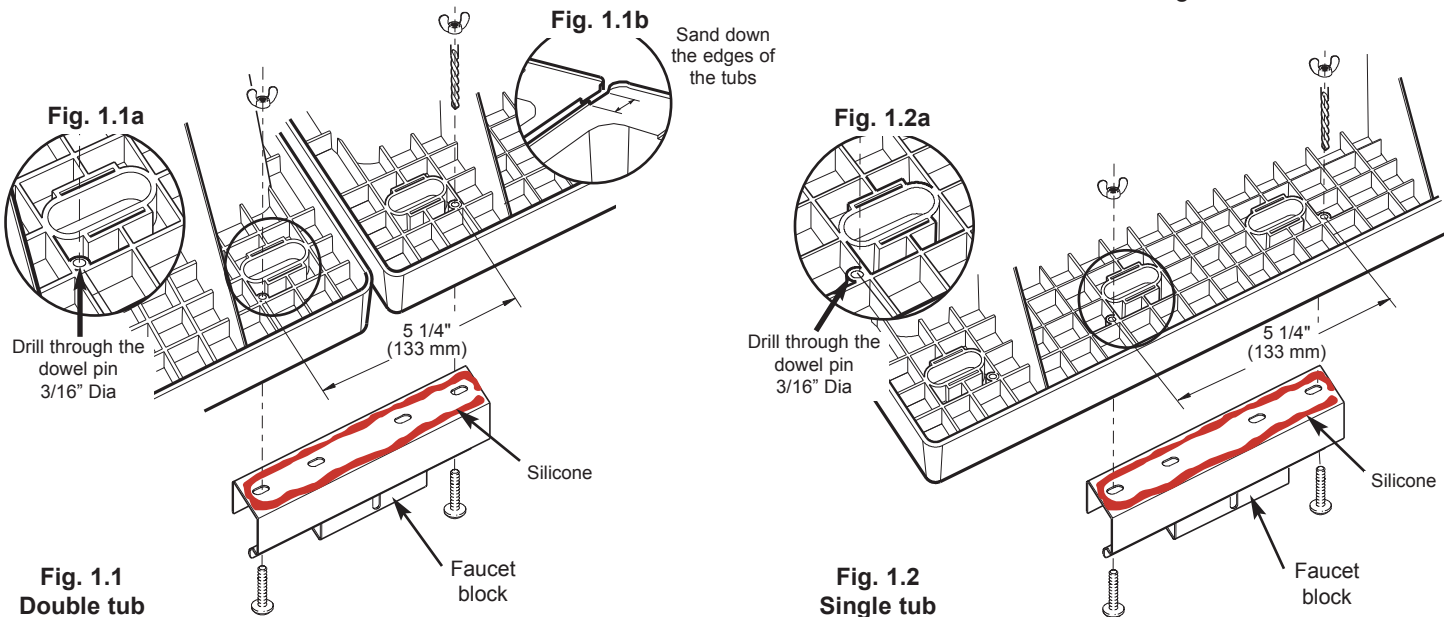


## 88615 / 10015552 Faucet block for water feed from above Assembly Instructions

### Single or Double *Granite Duralux* Laundry tub

- 1- Drill a hole through the dowel pins with a drill bit 3/16" in diameter. **Fig. 1.1a** and **Fig. 1.2a**.
- 2- **Double tub only:** sand down the edges of the tubs where the faucet block will be installed, so that the faucet block lies flat on the tubs. **Fig. 1.1b**.
- 3- Apply a bead of silicone under the faucet block.
- 4- Install the faucet block for water feed from above with #8-32 x 7/8" metal screws and #8-32 wing nuts.



### Single or Double *Super Poly* Laundry tub

- 1- Using the holes of the faucet block as your guide, drill two holes into the tub using a drill bit 3/16" in diameter. **Note:** The faucet block must be centred on the tubs.
- 2- **Double tub only:** sand down the edges of the tubs where the faucet block will be installed, so that the faucet block lies flat on the tubs. **Fig. 2.1a**.
- 3- Apply a bead of silicone under the faucet block. **Fig. 2b**.
- 4- Install the faucet block for water feed from above with #8-32 x 7/8" metal screws and #8-32 wing nuts.

