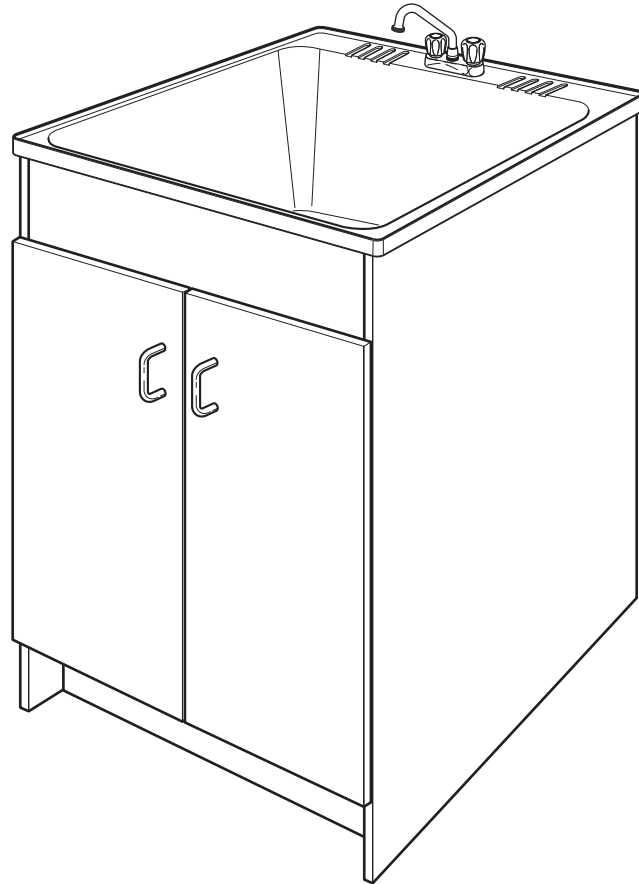


**READ ALL INSTRUCTIONS  
CAREFULLY BEFORE  
STARTING INSTALLATION**

10014460 0904

PRINTED IN CANADA

**Save This Manual  
For Future Reference**



**101563-000  
SPCC 2124-W**

**101563-040  
SPCC 2124-W-K**

# ***Super Poly Tub Cabinet Combination***

INSTALLATION MANUAL

**MAAX<sup>®</sup>**

MAAX Lachine  
160, St-Joseph Blvd  
Lachine (Quebec) Canada H8S 2L3

***English***

## **LIMITED WARRANTY**

MAAX Canada Inc. (hereafter "MAAX") offers the following express limited warranty on each of its products. This warranty extends only to the original owner/end-user for personal household use. For commercial uses, additional limitations apply.

MAAX warrants **polystyrene shower kits, tub wall kits, utility tubs and accessories** to be free from defects in workmanship and materials under normal use and service for a period of one (1) year from the initial date of purchase by the owner/end-user, contractor or builder from an authorized dealer.

Any product reported to the authorized dealer or to MAAX as being defective within the warranty period will be repaired or replaced (with a product of equal value) at the option of MAAX. This warranty extends to the original owner/end-user and is not transferable to a subsequent owner.

Neither the distributor, authorized MAAX dealer nor or any other person has been authorized to make any affirmation, representation or warranty other than those contained in this warranty; any affirmation, representation or warranty other than those contained in this warranty shall not be enforceable against MAAX or any other person.

MAAX reserves the right to modify this warranty at any time, it being understood that such modification will not alter the warranty conditions applicable at the time of the sale of the products in question.

**EFFECTIVE JANUARY 1, 2004**

### **Limitations**

This warranty shall not apply following incorrect operating procedures, breakage or damages caused by fault, carelessness, abuse, misuse, misapplication, improper maintenance, alteration or modification of the unit, as well as chemical or natural corrosion, accident, fire, flood, act of God or any other casualty.

The owner/end-user of the product covered by the present warranty is entirely responsible for its proper installation and electrical wiring. MAAX neither installs nor supervises the installation, nor hires a contractor for this purpose, and consequently cannot be held responsible for any default, breakage or damages caused thereby or resulting thereof, either directly or indirectly. The owner/end-user must provide access to the components of the product as described in the installation guide, so that MAAX can execute the warranty specified herein. If such access is not available, all expenses to provide said access will be the responsibility of the owner/end-user.

This warranty does not apply to products or equipment not installed or operated in accordance with instructions supplied by MAAX and all applicable rules, regulations and legislation pertaining to such installations.

MAAX strongly recommends that its products - for example, but without limitation, shower doors and other items - be installed by professionals with experience in bathroom products. Installation of shower doors by an inexperienced person may result in glass breakage and, consequently, cause personal injury or death.

MAAX is not liable for any costs, damages or claims resulting from the purchase of products that do not fit through openings or existing structures. MAAX is not liable for any costs, damages or claims resulting from defects that could have been discovered, repaired or avoided by inspection and testing prior to installation.

MAAX is not liable for personal injuries or death to any person or for any direct, special, incidental or consequential damage, loss of time, loss of profits, inconvenience, incidental expenses, labor or material charges, or any other costs resulting from the use of the product or equipment or pertaining to the application of the present warranty, or resulting from the removal or replacement of any product or element or part covered by this warranty.

**EXCEPT AS OTHERWISE PROVIDED ABOVE, MAAX MAKES NO WARRANTIES, EXPRESS OR IMPLIED, INCLUDING WARRANTIES OF MERCHANTABILITY AND FITNESS FOR A PARTICULAR PURPOSE OR COMPLIANCE WITH ANY CODE.**

In any case, MAAX cannot be liable for any amount over and above the purchase price paid for the product by the owner/end-user, contractor or builder.

### **Commercial Limitations**

In addition to the above conditions and limitations, the warranty period for products installed for commercial applications or used in commercial ventures is of one (1) year from the initial date of purchase by the owner/end-user, contractor or builder from an authorized dealer. MAAX is not responsible for loss of use or profit under any circumstances. If the product is used as a display, the warranty period begins when the product is placed on display.

This warranty gives the owner/end-user specific legal rights. The owner/end-user may also have other rights which vary from one state and/or province to another.

### **Warranty service**

In order to obtain service provided under this warranty during regular business hours, contact the dealer or distributor who sold the unit, or MAAX directly.

MAAX will provide the warranty service described above when the following conditions have been met: the failure is of the nature or type covered by the warranty; the user has informed an authorized MAAX Agent or Warranty Service Department representative of the nature of the problem during the warranty period; conclusive evidence (e.g., proof of purchase or installation) is provided to the foregoing by the user proving that the failure occurred or was discovered within the warranty period; an authorized independent service person or company representative has been permitted to inspect the product during regular business hours within a reasonable time after the problem was reported by the user.

MAAX's warranty obligation shall be discharged upon tender of replacement or repair. The customer's refusal to accept the tender terminates MAAX's warranty obligation.

MAAX products are certified by one or more of the following certification agencies: CSA, UL, IAPMO, ULI, INTERTEK (ETL), WARNOCK HERSEY, US TESTING, NAHB.

*MAAX* is a registered trademark of MAAX Canada Inc.

## IN CASE OF PROBLEMS

If you have any problems with our product, **DO NOT CALL THE STORE.**

Contact one of our customer service representatives at **1-888-304-4388**. Our experts can advise you and will do all they can to resolve your problem diligently. The necessary parts will be sent to you immediately. There is no warranty on the installation, but if you have any problems, we will be happy to render assistance.

## BEFORE YOU START

Check to make sure you have received all the components including all screws and hardware (see itemized Parts List in the centrefold of this manual)

## NECESSARY TOOLS AND MATERIALS

- Flat and #2 Phillips screwdrivers

## CABINET ASSEMBLY

1. Lay down the lateral panels (items 1 and 2) flat on a carpet or the cardboard packaging to avoid damaging the finish. Assemble the hinge mounting plates (item 14) in the pre-drilled holes of the lateral panels with #8 x 9/16" wood screws (item 18). **Note: The mounting plate groove (longest side) must be positioned towards the forward edge of the panel Fig 1.1.** Attach the brackets for the leveling legs (item 19) with #8 x 1/2" screws (item 6) in the small pre-drilled holes on the lateral panels. Screw the leveling legs (item 20) to the brackets (**Fig. 1.2**).
2. Insert hinges (Item 15) into holes on the back of the doors (Items 8 and 9) and fasten to doors using #5 x 5/8" wood screws (Item 16). **Fig. 2.1.**
3. Fasten handles (item 10) to doors using #8 x 1" wood screws (Item 11). **Fig. 2.2.**
4. Remove film on back of self-adhesive bumper (Item 17) and attach to the inside of doors on top and bottom, centered 3/8" from corners. **Fig. 2.2.**
5. Pass the connector screws (item 12) through the holes of the left lateral panel (item 1) and right panel (item 2) and insert them in the pre-drilled holes of the floor (item 7). **Note: The hinge mounting plates must be pointed towards the interior of the cabinet (Fig. 3).**
6. Repeat the previous step by assembling the bottom panels (item 3) and top panels (item 5) to the lateral panels (**Fig. 3**).
7. Tighten all mounting screws firmly. Cover all screws with plastic caps (Item 13). **Fig. 3.1.**

## DOOR INSTALLATION

Install the doors by sliding the hinges on the hinge mounting plates. **Note: The adjustment screws for the hinges ("Y") must slide in the mounting plate grooves and the attachment screws of the mounting plates ("X") must slide in the hinge grooves (Fig. 4).**

Adjust doors as described in "3-Way hinge adjustment".

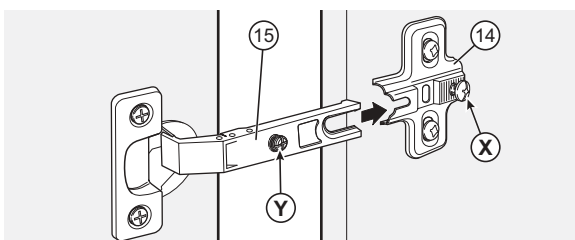


Fig. 4

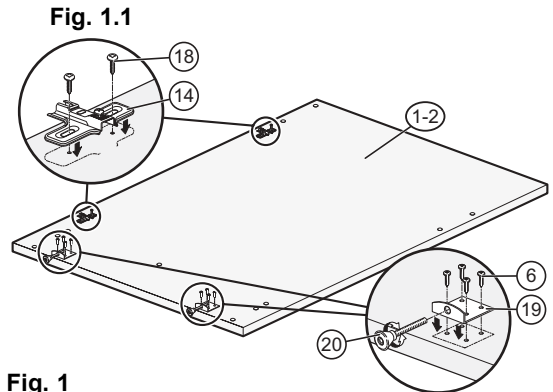


Fig. 1

Fig. 1.2

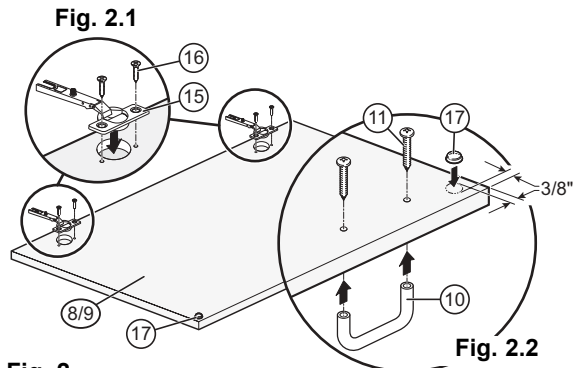


Fig. 2

Fig. 2.2

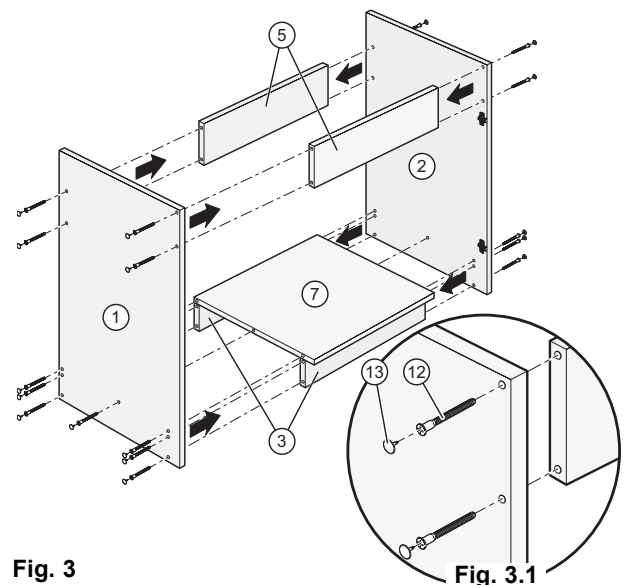


Fig. 3

Fig. 3.1

### 3-Way hinge adjustment

- a. **Adjust door up or down:** Loosen 2 mounting screws #8 x 9/16" (Item 18), move hinge up or down, tighten screws. **Fig. 5.**
- b. **Adjust door in or out:** Loosen screw "X", move hinge in or out, tighten screw. **Fig. 5.**
- c. **Adjust door left or right:** Loosen screw "X" slightly, turn front screw "Y" in or out and then tighten screw "X". Check position of door and repeat, if necessary. **Fig. 5.**

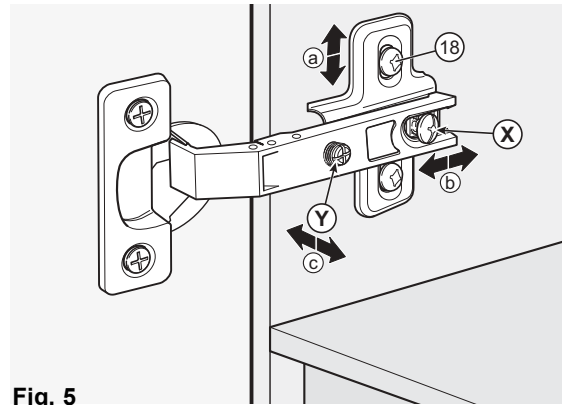


Fig. 5

### LAUNDRY TUB INSTALLATION

If you have purchased a laundry tub with a faucet included, remove the middle washers (**Fig. 6.1**) by supporting the edge of the tub with a piece of wood. Use a hammer and pipe-end or a bushing to remove the washers. After removing the sinkable pieces, sand down the excess plastic from around the opening, to facilitate faucet installation.

Slide the laundry tub into the assembled cabinet.

Slip joint nut and plastic washer are used to connect tailpiece extension to the tub drain (**Fig. 7**). **Do not overtighten the slip joint nut;** it could strip the threads on the plastic drain.

Fig. 6.1

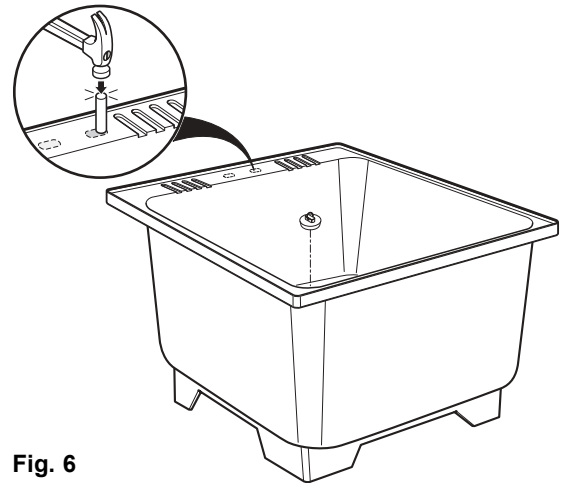


Fig. 6

### INSTALLING YOUR NEW FAUCET

INCLUDED WITH 101563-040 / SPCC 2124-W-K ONLY

**Important:** Take note of the different standards and rules your local and municipal plumbing codes have in effect before installing.

1. Determine where the laundry tub is to be installed. From the wall, you should have a drain pipe with a 1-1/2" trap adaptor and two supply pipes (hot and cold) with 3/8" compression outlet shut-off valves.
2. Insert the faucet shanks through the holes in the laundry tub. From underneath the sink, place one plastic locknut on each shank and tighten gently by hand. Then, position the faucet for proper alignment on top of laundry tub. Firmly tighten the plastic locknuts by hand.

**Note:** This faucet is equipped with a drain primer connection. The purpose of a drain primer is to keep the P-trap of the floor drain full of water, thus keeping the sewer odors from passing through the trap. Certain provincial and municipal codes require the installation of drain primers. If your faucet is installed in the basement near a floor drain, you can easily install a drain primer. Unscrew the 1/8" M plug from under the faucet and connect a flexible 1/8" copper tube using a 1/8" M x 1/8" compression adaptor and Teflon tape. Run the copper tube to the drain. Turn on faucet and check for leaks at the 1/8" connection. If the flow to the drain is too much, you can reduce it by gently squeezing the tube until you get the desired flow.

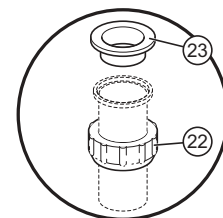


Fig. 7

**Important:** The Canadian Plumbing Code requires the installation of air chambers or surge arresting devices to eliminate water hammer.

3. The riser tube lines are now ready to be connected. Fit riser tube lines to faucet inlets and to shut-off valves by threading coupling nuts and tighten to form watertight joint.
4. Connect tailpiece to laundry tub strainer (25.1) with the slip joint nut (Item 22). Make sure to put the plastic washer (Item 25) **Fig. 7**. Install P-trap (Item 25) in trap adaptor and over tailpiece. Tighten all nuts. Do not overtighten. **Fig. 8.**
5. **Turn on water supply and inspect all connections for leaks.** Tighten nuts if necessary. Unscrew aerator. Turn hot and cold faucets on for at least one minute to evacuate the air trapped in the pipes. Replace aerator. Your new faucet is now fully installed and ready to use.

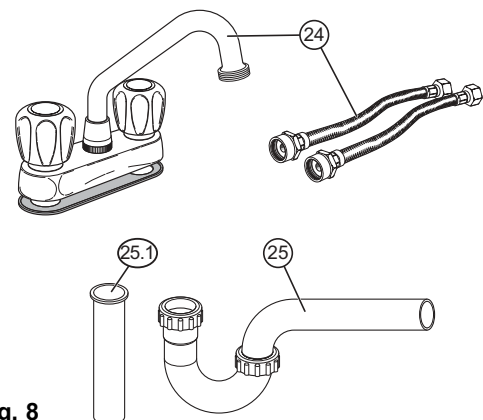
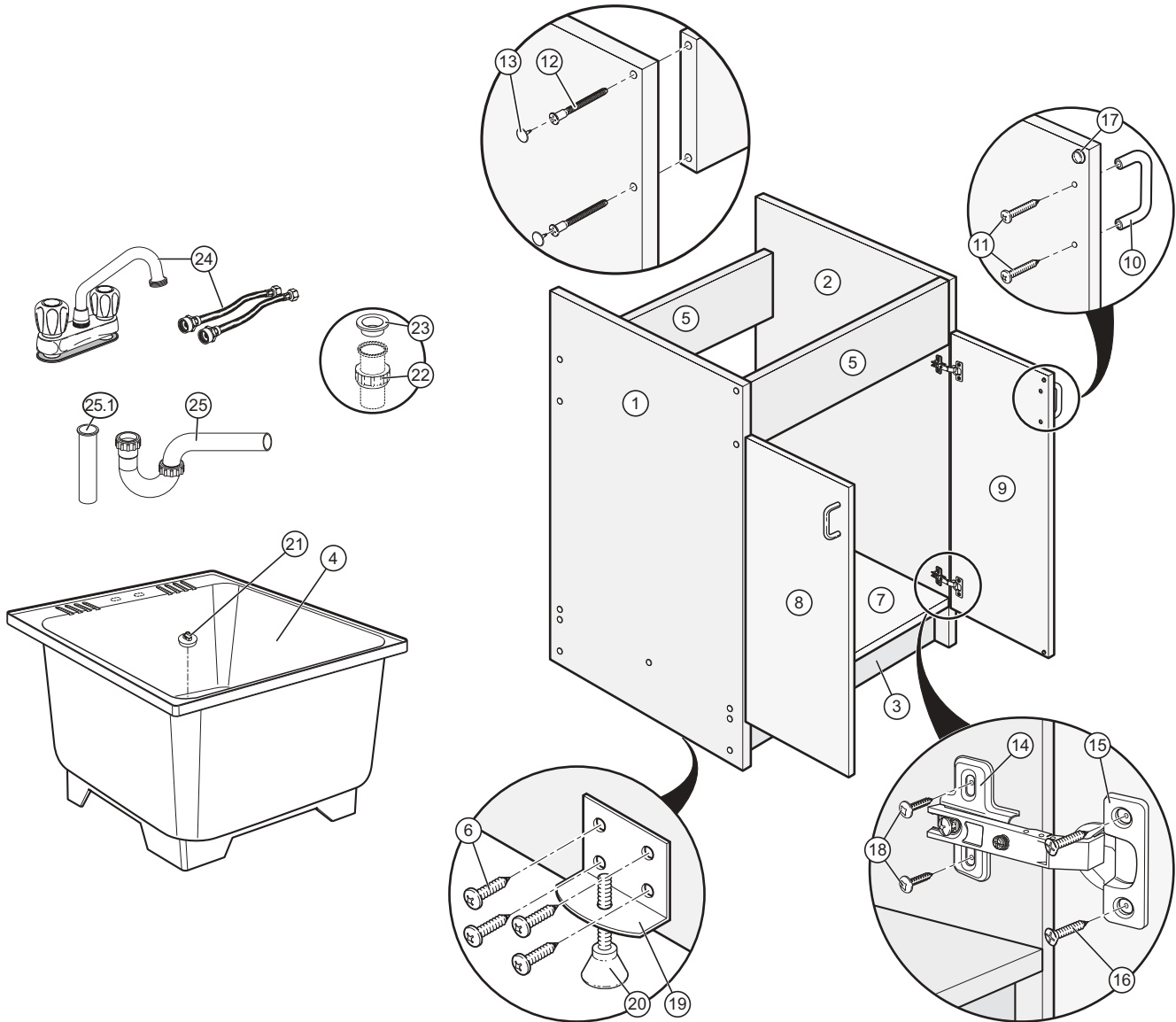


Fig. 8

# Super Poly Tub Cabinet Combination

## Repair Parts



Item N°	Description	Part N°		Qty
		101563-000 SPCC 2124-W	101563-040 SPCC 2124-W-K	
1	Left panel	10014149-001	10014149-001	1
2	Right panel	10014152-001	10014152-001	1
3	Bottom panel	10014156-001	10014156-001	2
4	Laundry tub	10015641	10015641	1
5	Top panel	10014155-001	10014155-001	2
*6	#8 x 1/2" screw	10014387	10014387	16
7	Floor	10014148-001	10014148-001	1
8	Left door	10014150-001	10014150-001	1
9	Right door	10014153-001	10014153-001	1
*10	Handle	10014105	10014105	2
*11	#8 x 1" screw	10014395	10014395	4
*12	Connector screw	10014106	10014106	22
*13	Plastic cap	10014107	10014107	22
*14	Mounting plate	10014104	10014104	4

Item N°	Description	Part N°		Qty
		101563-000 SPCC 2124-W	101563-040 SPCC 2124-W-K	
*15	Hinge	10014101	10014101	4
*16	#5 x 5/8" flat head screw	10014373	10014373	8
*17	Bumper	10014100	10014100	4
*18	#8 x 9/16" screw	10014393	10014393	8
*19	Levelling bracket	10014103	10014103	4
*20	Levelling leg	10014102	10014102	4
*21	1 1/2" dia. Stopper	10014695	10014695	1
*22	1 1/2" dia. Slip joint nut	10014693	10014693	1
*23	1 1/2" dia. Plastic washer	10014694	10014694	1
24	4" centerset laundry tub faucet	—	10015543	1
25	1 1/2" P-Trap with tail piece 12"	—	10015544	1
	Hardware bag	10014767	10014767	1
	Instruction manual	10014460	10014460	1

\*Items included with hardware bag

When ordering repair parts, always give the following information:

1. Model N°
2. Catalogue or item N°
3. Description
4. Part N°