



50W PAR20 Halogen Lamp

Line Voltage Halogen PAR Lamps

PROJECT
FIXTURE TYPE
MODEL
LAMP
CONTACT/TELEPHONE

Product No. **PAR20-50W130VE26FL**

Description

PAR20 halogen lamp. Produces bright white light, long life reducing maintenance costs, maximum efficiency for reduced energy consumption and excellent beam qualities for accent or general lighting.

General Characteristics

Lamp Type	PAR20 Halogen Lamp
Bulb Size	PAR20
Base	Medium base (E26)
Wattage	50W (130V) / 46W (120V)
Voltage	130V AC
Rated Life	2,500 / 5,000 hours
Minimum Operating Temperature	NA
Reflector	Parabolic Aluminum

Operating Characteristics

Approx. Initial Lumens	550 / 450
Approx. Mean Lumens	540 / 440
Color Temperature	2950K
Color Rendering Index. (CRI)	100
Beam Spread	25°
Dimmable	Dimmable

Dimensions

Maximum Overall Length (MOL)	3.13" (79.38mm)
Bulb Diameter (DIA)	2.50" (63.50mm)

Applications:

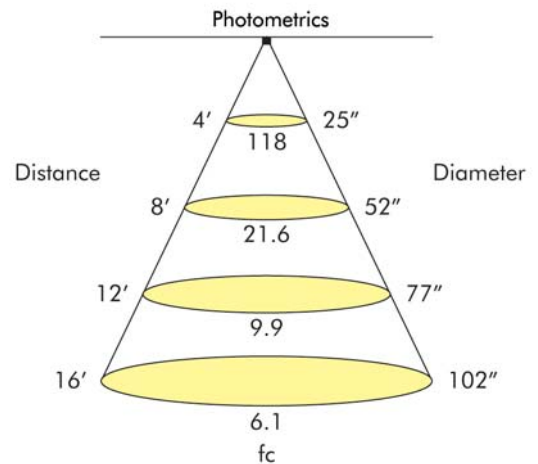
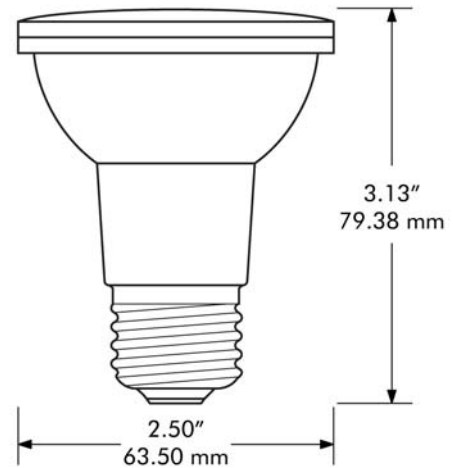
- Open fixtures
- Office Buildings
- Recessed Cans
- Shopping Malls
- Retail Stores
- Hospital
- Down Lights
- Banks
- Restaurants

⚠ Caution

- Lamp may shatter and cause injury if broken
- Do not use excessive force when installing lamp.

⚠ Warning

- Risk of Electric Shock
- Turn power off before inspection, installation or removal.



LITELINE CORPORATION

8 Abacus Road, Brampton, Ontario, Canada L6T 5B7
 Tel: 416-996-1856 • Fax: 905-794-1990 / 1-888-738-9736
 Email: sales@liteline.com • Website: www.liteline.com

Product specifications subject to change without notice.